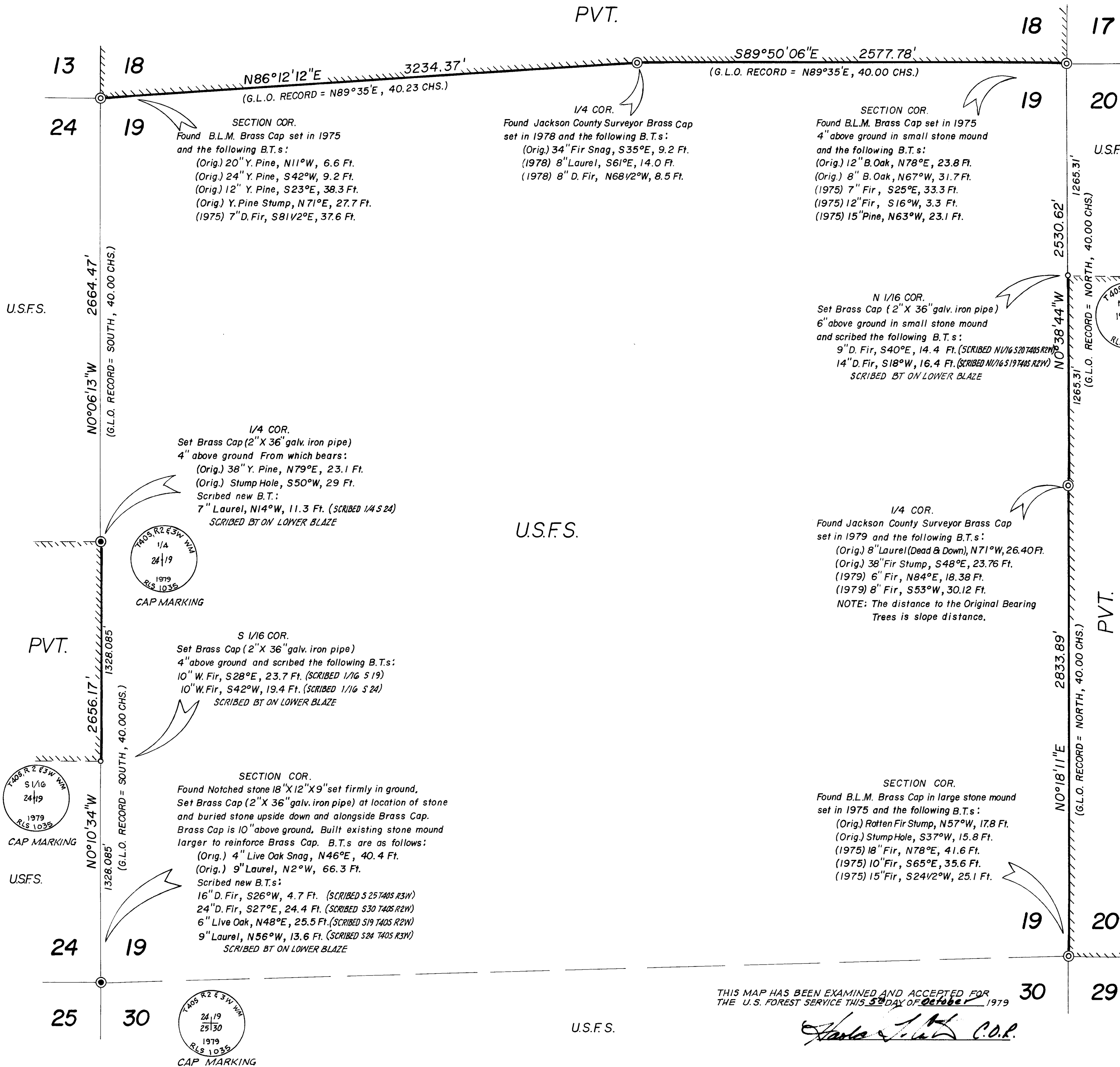
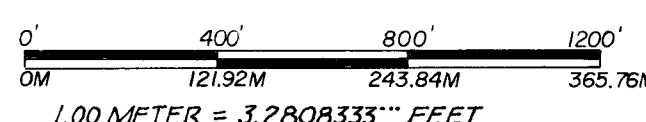
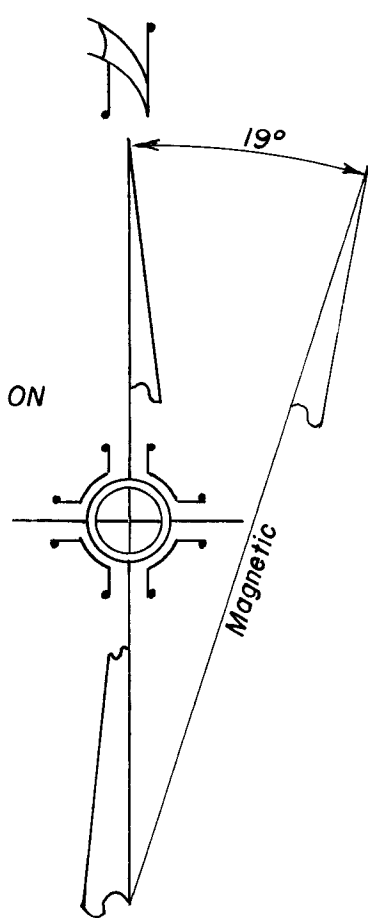


RECORD OF SURVEY for the U. S. FOREST SERVICE of SECTION 19, T40S, R2W, W.M. JACKSON COUNTY, OREGON. SEPTEMBER, 1979.



NOTE: BEARINGS ARE BASED ON SOLAR OBSERVATION.



- LEGEND**
- ⊙ FOUND BRASS CAP-GOVT. SURVEY CORNER.
 - ⊙ SET BRASS CAP-GOVT. SURVEY CORNER.
 - SET BRASS CAP-PVT. SURVEY CORNER.
 - LINE POSTED & BLAZED.

"I, Gerald V. Nygren, a registered land surveyor in the State of Oregon, hereby certify that this plat and the notes hereon, or attached, are a correct representation of a survey I performed during August/September 1979, for the U.S. Forest Service, in accordance with the statutes of the State of Oregon and with the Articles of my contract."

Gerald V. Nygren
Gerald V. Nygren
Registered Land Surveyor
Oregon License 1035

REGISTERED
PROFESSIONAL
LAND SURVEYOR
Gerald V. Nygren
GREG IN
GERALD V. NYGREN
AUGUST 27 1979

JACKSON COUNTY
RECEIVED
OCT 5 1979
SURVEYOR

THIS MAP HAS BEEN EXAMINED AND ACCEPTED FOR THE U. S. FOREST SERVICE THIS 5th DAY OF October 1979

John L. ... C.O.P.

8039

Nygren - Rogers & Associates

PROFESSIONAL LAND SURVEYORS
514 N.E. 7TH ST.
GRANTS PASS, OREGON 97526
PHONE 476-7034

LOWER PETE'S CAMP SURVEY NARRATIVE
Page 2

Data collected as reference material was the original line notes of the lines surveyed and remonumentation notes of restored corners.

Key personnel utilized to accomplish this project was Gerald V. Nygren, Licenced Land Surveyor in Oregon, Wayne Rogers, Licensed Land Surveyor in California, Oregon and Nevada, Ken Curphey, Party Chief with eight years experience, and four chainman experienced in survey methods.

REGISTERED
PROFESSIONAL
LAND SURVEYOR

Gerald V. Nygren

OREGON
GERALD V. NYGREN
AUGUST 22, 1975
1035

8039

Nygren - Rogers & Associates

PROFESSIONAL LAND SURVEYORS
514 N.E. 7TH ST.
GRANTS PASS, OREGON 97526
PHONE 476-7034

S U R V E Y N A R R A T I V E

SUBJECT: Lower Pete's Camp Cadastral Survey in Section 19, Township 40 South, Range 2 West, Willamette Meridian, Jackson County, Oregon.

DATE: September 7, 1979

SURVEYED FOR: U.S.D.A.
Rogue River National Forest
Medford, Oregon 97501

PURPOSE: To survey and mark portions of the exterior boundary of said Section 19 as shown on plat.

PROCEDURE: This survey was accomplished by using a WILD T-16-D Theodolite and an infrared electronic distance meter on shots of one mile or less. On longer shots, a microwave electronic meter was used.

Each angle, horizontal and vertical was turned direct and indirect as noted in field notes. The average of the two readings was used to compute bearings and reduce slope distances to horizontal distances. In the case of the longer than one mile shots, the vertical angle was measured at both stations and the average used to compute distances to horizontal.

The survey commenced on July 25, 1979 and was completed on August 30, 1979.

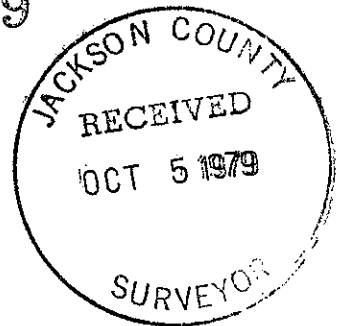
Control points were established on Squaw Mountain and around the exterior boundary of said Section 19. The required corners were tied in or traversed to from these control points in such a manner as to make all line to be marked and all required corners, found or set, in a closed traverse. The raw closure for all traverse was greater than 1:10,000. The error was distributed by the Compass Rule Method.

continued

8039

Nygren - Rogers & Associates

PROFESSIONAL LAND SURVEYORS
514 N.E. 7TH ST.
GRANTS PASS, OREGON 97526
PHONE 476-7034



HISTORY OF CORNERS - Page 2

- (1979) 6" Live Oak N 48° E, 25.5 feet , scribed S19. T40S. R2W on upper blaze and BT on lower blaze with nail and Tag RS 1035.
- (1979) 9" Laurel, N56° W, 13.6 feet, scribed S24. T40S R2W on upper blaze and BT on lower blaze with nail and Tag RS 1035.

SECTION CORNER 19, 20, 30, 29 Original survey by Moore in 1883 whereas a granite stone 18 X 10 X 5 inches was set 12" in the ground. Perpetuated in 1975 by B.L.M. with a brass cap in large stone mound and bearing trees found and scribed as follows;

- (Original) Rotten Fir Stump (7" Fir) N 57° W, 17.8 feet
- (Original) Stump hole (35" Fir) S 37° W, 15.8 feet
- (1975) 18" Fir N 78° E, 41.6 feet
- (1975) 10" Fir S 65° E, 35.6 feet
- (1975) 15" Fir S 24½° W, 25.1 feet

QUARTER CORNER 19 and 20 Original survey by Moorer in 1883 whereas a Post 3 feet long, 3 inches square, 24 inches in ground was set. Perpetuated in 1979 by Jackson County Surveyor with a brass cap and bearing trees found and scribed as follows;

- (Original) 8" Laurel (down and dead) N 71° W, 26.40 feet-slope distance.
- (Original) 38" Fir Stump S 48° E, 23.76 feet-slope distance
- (1979) 6" Fir N 84° E, 18.38 feet
- (1979) 8" Fir S 53° W, 30.12 feet

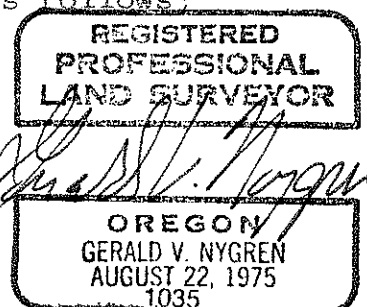
SECTION CORNER 17, 18, 19, 20 Original survey by Moore in 1883 whereas a Basalt stone 12 X 8 X 6 inches was set 8 inches in ground. Perpetuated by B.L.M. in 1975 with a brass cap set 4 inches above ground in a stone mound and bearing trees found and scribed as follows;

- (Original) 12" B. Oak N 78° E, 23.8 feet
- (Original) 8" B. Oak N 67° W, 31.7 feet
- (1975) 7" Fir S 25° E, 33.3 feet
- (1975) 12" Fir S 16° W, 3.3 feet
- (1975) 15" Pine N 63° W, 23.1 feet

QUARTER CORNER 18 and 19 Original survey by Moore in 1883 whereas a Basalt stone 12X10X10 inches was set 8 inches in ground. Perpetuated in 1978 by Jackson County Surveyor with a brass cap and bearing trees found and scribed as follows;

- (Original) 34" Fir Snag S35° E, 9.2 feet
- (1978) 8" Laurel, S 61° E, 14.0 feet
- (1978) 8" D. Fir, N 68½° W, 8.5 feet

A brass cap was secured to each pipe set by this survey and stamped per U.S.D.A. instructions.



Nygren - Rogers & Associates

PROFESSIONAL LAND SURVEYORS
514 N.E. 7TH ST.
GRANTS PASS, OREGON 97526
PHONE 476-7034

HISTORY OF CORNERS

Township 40 South, Range 2 West of the Willamette Meridian, Jackson County, Oregon.

SECTION CORNER 13, 18, 24, 19 Original survey by McKenzie and Eckelson in 1879, resurveyed by Lackland in 1882 whereas a slate stone 17 x 9 x 9 inches was set 10 inches in ground. Perpetuated in 1975 by B.L.M. with a brass cap and bearing trees were found and scribed as follows;

(Original) 20" Y. Pine N 11° W, 6.6 feet
(Original) 24" Y. Pine S 42° W, 9.2 feet
(Original) 12" Y. Pine S 23° E, 38.3 feet
(Original) Y. Pine stump N 71° E, 27.7 feet
(1975) 7" D. Fir S 81½° E, 37.6 feet

QUARTER CORNER 24 and 19 Original survey by McKenzie and Eckelson in 1879, resurveyed by Lackland in 1882 whereas a slate stone 17 X 14 X 8 inches was set 10 inches in ground. Perpetuated by this survey by setting a 2" X 36" Galvanized iron pipe, 4 inches above ground and bearing trees were found and scribed as follows;

(Original) 38" Y. Pine N 79° E, 23.1 feet
(Original) Stump hole (36" Y Pine) S 50° W, 29 feet.
(1979) 7" Laurel N 41° W, 11.3 feet scribed ¼
S 24 on upper blaze and BT on lower blaze
with nail and Tag RS 1035.

SECTION CORNER 24, 19, 25, 30 Original survey by McKenzie and Eckelson in 1879, resurveyed by Lackland in 1882 whereas a slate stone 18 X 12 X 9 inches was set 12 inches in ground. Perpetuated by this survey by setting a 2" X 36" galvanized iron pipe 10 inches above ground with stone mound and bearing trees found and scribed as follows;

(Original) 4" (rec. 8") Live Oak (now dead) N 46° E,
40.4 feet.
(Original) 9" Laurel N 2° W, 66.3 feet
(1979) 16" D. Fir S 26° W, 4.7 feet scribed S25
T40S R2W on upper balze and BT on lower
blaze with nail and Tag RS 1035.
(1979) 24" D. Fir S 26° E, 24.4 feet scribed S30
T40S R2W on upper blaze and BT on lower
blaze with nail and Tag RS 1035.