

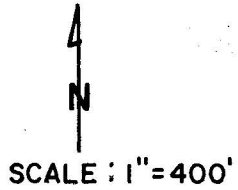
1298 3521

SURVEY FOR HARVEY PHILLIPS

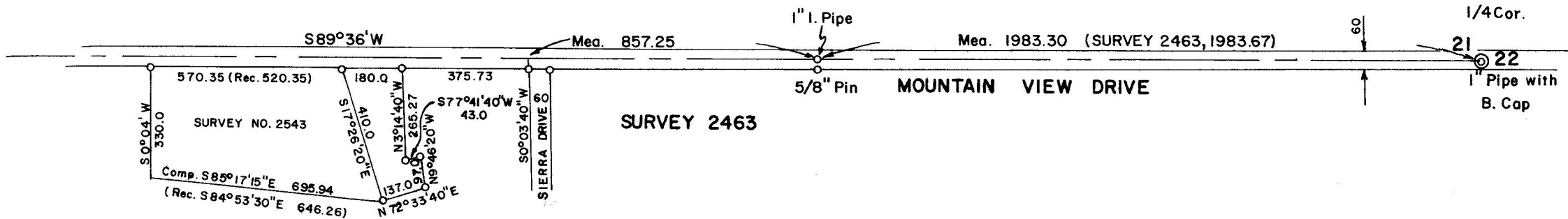
S 1/2 Sec. 21, T.35 S., R.1 W., W.M.

Jackson County, Oregon

July 18, 1967



LEGEND
 ○ Mon. found



JACKSON COUNTY
 RECEIVED
 AUG 24 1967
 SURVEYOR

REGISTERED
OREGON
 LAND SURVEYOR
Verlyn Thomas
 MAY 13, 1960
VERLYN THOMAS
 509

SURVEY NARRATIVE TO COMPLY WITH O.R.S. 209.250
REVISED BY CHAPTER 555, O.L. 1963

FOR: Harvey Phillips
Mountain View Drive
Eagle Point, Oregon

PURPOSE: To determine the location of a 50.0 foot discrepancy with surveys of record along Mountain View Drive.

PROCEDURE: Recovered the 1/4 corner common to sections 21 and 22, and measured westerly along Mountain View Drive to the monuments as shown.
At Sierra Drive, measured westerly between points on the Southerly right-of-way line of Mountain View Drive. These measurements revealed the position of Survey No. 2543 to be some fifty feet out of position. Measurements taken in the field are as shown on the accompanying plat.

