

**SURVEY NARRATIVE**  
TO COMPLY WITH O.R.S. 209.250

**PURPOSE:**  
TO SURVEY AND MONUMENT A PROPERTY LINE ADJUSTMENT BETWEEN THOSE TRACTS OF LAND DESCRIBED IN INSTRUMENT NUMBERS 2015-041312, 2016-022367, AND 2017-023745 OF THE OFFICIAL RECORDS OF JACKSON COUNTY OFFICIAL RECORDS, OREGON, AS APPROVED BY JACKSON COUNTY PLANNING DIVISION AS FILE NO. 439-22-00068-SUB.

**PROCEDURE:**  
USING A TRIMBLE S-6 ROBOTIC TOTAL STATION AND TRIMBLE R-10 GPS RECEIVERS, I RECOVERED AND TIED EXISTING MONUMENTS OF RECORD AS SHOWN HEREIN. THE RIGHT-OF-WAY FOR HIGHWAY 234 (SAMS VALLEY HIGHWAY) WAS DETERMINED FROM RECORD DATA AS SHOWN ON DRG. NO. 6B-30-3 AND BY HOLDING THE RECOVERED MONUMENTS AS SHOWN HEREIN. HIGHWAY 62 (CRATER LAKE HIGHWAY) WAS DETERMINED FROM RECORD DATA AS SHOWN ON DRAWING 6B-18-5 AND BY HOLDING THE FOUND REBAR SET BY GARY KAISER ON SURVEY NUMBER (S/N) 15331 AND THE RECOVERED OREGON DEPARTMENT OF TRANSPORTATION REBAR AT STATION 1635+88.70 SAID DRAWING. AS DETAILED IN THE NARRATIVE IN S/N 22668, IT APPEARS AN OLD FENCE LINE WAS RELIED UPON, THIS ADJUSTMENT IS BEING PERFORMED TO REMEDY THESE LINE. I THEN MONUMENT THE ADJUSTED LINES AS DIRECTED BY THE CLIENTS AND APPROVED BY JACKSON COUNTY PLANNING DIVISION AS FILE NO. 439-22-00068-SUB

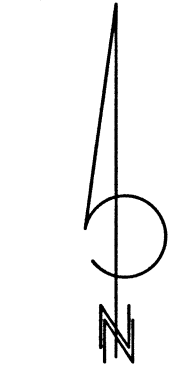
# MAP OF SURVEY

## PROPERTY LINE ADJUSTMENT

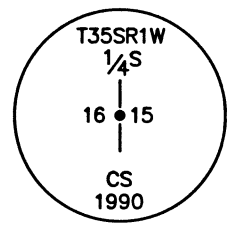
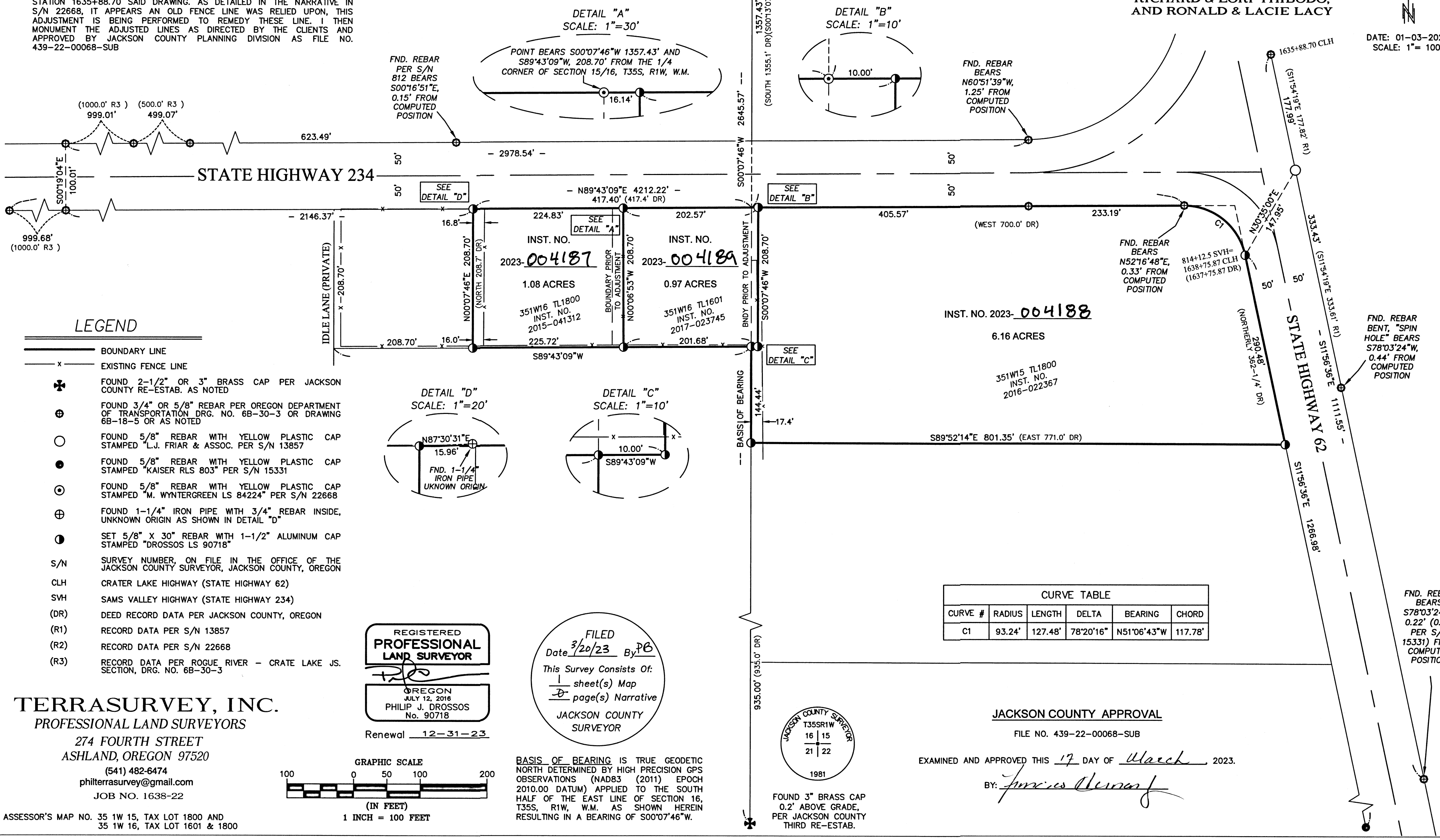
**SITE:**  
**95, 145, AND 185 HIGHWAY 234**  
**EAGLE POINT, OREGON**

LOCATED IN THE SOUTHWEST QUARTER OF SECTION 15 AND THE SOUTHEAST QUARTER OF SECTION 16, TOWNSHIP 35 SOUTH, RANGE 1 WEST, WILLAMETTE MERIDIAN, JACKSON COUNTY, OREGON

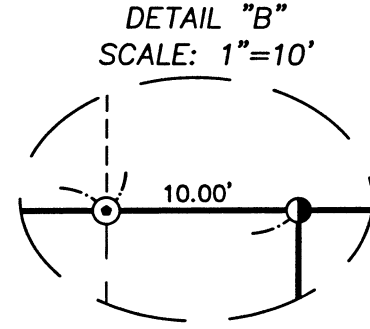
FOR  
**LINDA HENNING,**  
**RICHARD & LORI THIBODO,**  
**AND RONALD & LACIE LACY**



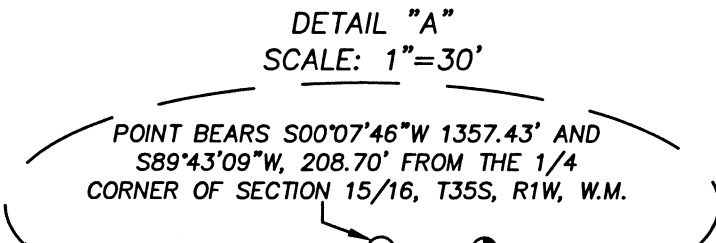
DATE: 01-03-2023  
SCALE: 1"=100'



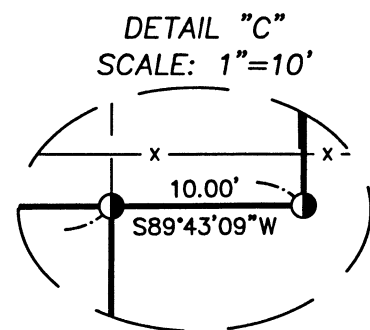
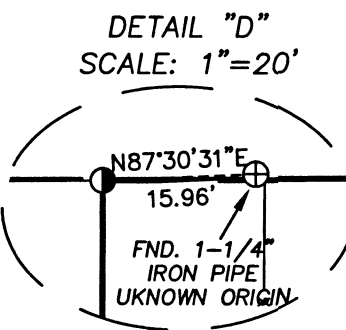
FOUND 2-1/2" BRASS CAP 0.1' BELOW GRADE, \*SPECIAL CORNER\* PER JACKSON COUNTY FIRST RE-ESTAB.



FND. REBAR BEARS N60°51'39"W, 1.25' FROM COMPUTED POSITION



FND. REBAR PER S/N 812 BEARS S00°16'51"E, 0.15' FROM COMPUTED POSITION



### LEGEND

- BOUNDARY LINE
- EXISTING FENCE LINE
- FOUND 2-1/2" OR 3" BRASS CAP PER JACKSON COUNTY RE-ESTAB. AS NOTED
- FOUND 3/4" OR 5/8" REBAR PER OREGON DEPARTMENT OF TRANSPORTATION DRG. NO. 6B-30-3 OR DRAWING 6B-18-5 OR AS NOTED
- FOUND 5/8" REBAR WITH YELLOW PLASTIC CAP STAMPED "L.J. FRIAR & ASSOC. PER S/N 13857
- FOUND 5/8" REBAR WITH YELLOW PLASTIC CAP STAMPED "KAISER RLS 803" PER S/N 15331
- FOUND 5/8" REBAR WITH YELLOW PLASTIC CAP STAMPED "M. WYNTERGREEN LS 84224" PER S/N 22668
- FOUND 1-1/4" IRON PIPE WITH 3/4" REBAR INSIDE, UNKNOWN ORIGIN AS SHOWN IN DETAIL "D"
- SET 5/8" X 30" REBAR WITH 1-1/2" ALUMINUM CAP STAMPED "DROSSOS LS 90718"
- S/N SURVEY NUMBER, ON FILE IN THE OFFICE OF THE JACKSON COUNTY SURVEYOR, JACKSON COUNTY, OREGON
- CLH CRATER LAKE HIGHWAY (STATE HIGHWAY 62)
- SVH SAMS VALLEY HIGHWAY (STATE HIGHWAY 234)
- (DR) DEED RECORD DATA PER JACKSON COUNTY, OREGON
- (R1) RECORD DATA PER S/N 13857
- (R2) RECORD DATA PER S/N 22668
- (R3) RECORD DATA PER ROGUE RIVER - CRATER LAKE JS. SECTION, DRG. NO. 6B-30-3

CURVE TABLE					
CURVE #	RADIUS	LENGTH	DELTA	BEARING	CHORD
C1	93.24'	127.48'	78°20'16"	N51°06'43"W	117.78'

REGISTERED PROFESSIONAL LAND SURVEYOR

PHILIP J. DROSSOS No. 90718

RENEWAL 12-31-23

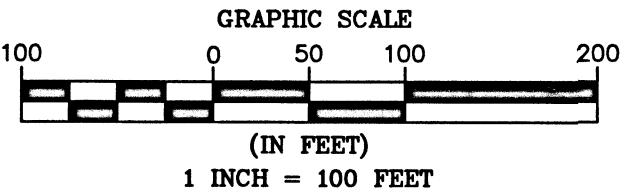
FILED Date 3/20/23 By [Signature]

This Survey Consists Of:

- 1 sheet(s) Map
- 2 page(s) Narrative

JACKSON COUNTY SURVEYOR

**TERRASURVEY, INC.**  
PROFESSIONAL LAND SURVEYORS  
274 FOURTH STREET  
ASHLAND, OREGON 97520  
(541) 482-6474  
philterrasurvey@gmail.com  
JOB NO. 1638-22



BASIS OF BEARING IS TRUE GEODETIC NORTH DETERMINED BY HIGH PRECISION GPS OBSERVATIONS (NAD83 (2011) EPOCH 2010.00 DATUM) APPLIED TO THE SOUTH HALF OF THE EAST LINE OF SECTION 16, T35S, R1W, W.M. AS SHOWN HEREIN RESULTING IN A BEARING OF S00°07'46"W.

JACKSON COUNTY SURVEYOR

T35SR1W 16 15 21 22 1981

FOUND 3" BRASS CAP 0.2' ABOVE GRADE, PER JACKSON COUNTY THIRD RE-ESTAB.

### JACKSON COUNTY APPROVAL

FILE NO. 439-22-00068-SUB

EXAMINED AND APPROVED THIS 17 DAY OF March 2023.

BY: [Signature]