

# MAP OF SURVEY

FOR  
PAM MOORE

SITE ADDRESS  
9976 WAGNER CREEK ROAD  
TALENT, OREGON

LOCATED IN THE NORTHEAST QUARTER OF SECTION 11,  
TOWNSHIP 39 SOUTH, RANGE 1 WEST,  
WILLAMETTE MERIDIAN,  
JACKSON COUNTY, OREGON

## LEGEND

- BOUNDARY LINE
- ✦ FOUND 2-1/2" OR 3-1/4" BRASS CAP PER BLM OR JACKSON COUNTY RE-ESTAB. AS NOTED
- ▲ COMPUTED POSITION FALLS IN WAGNER CREEK - NOTHING FOUND NOR SET
- ⊕ FOUND 2" BRASS CAP STAMPED WITH AN "X" PER S/N 2086
- ⊕ FOUND 1/2" IRON PIPE PER S/N 2086
- ⊗ FOUND 3/4" IRON PIPE PER S/N 2308
- FOUND 5/8" REBAR WITH YELLOW PLASTIC CAP STAMPED "RLS 759" PER S/N 6058
- FOUND 5/8" REBAR WITH RED PLASTIC CAP STAMPED "BAROTT LS 2332" PER S/N 20675
- SET 5/8" X 30" REBAR WITH 1-1/2" ALUMINUM CAP STAMPED "DROSSOS LS 90718"
- S/N SURVEY NUMBER, ON FILE IN THE OFFICE OF THE JACKSON COUNTY SURVEYOR, JACKSON COUNTY, OREGON
- (DR) RECORD PER INST. NO. 2005-001837
- (R1) RECORD DATA PER S/N 2086
- (R2) RECORD DATA PER BLM DEPENDENT RESURVEY, SURVEY AND SUBDIVISION OF SECTION 11 AND 14, ACCEPTED AUGUST 17, 1994
- (R3) RECORD DATA PER S/N 20675

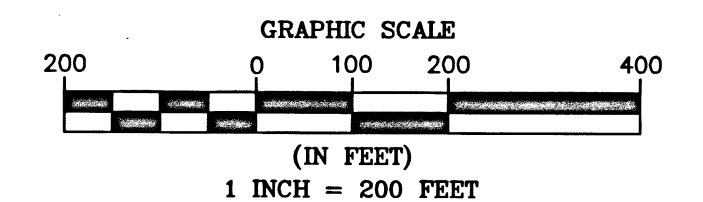
DATE: 06-30-2022  
SCALE: 1"=200'

## SURVEY NARRATIVE TO COMPLY WITH O.R.S. 209.250

**PURPOSE:**  
TO SURVEY AND MONUMENT THE BOUNDARY OF THAT TRACT OF LAND DESCRIBED IN INSTRUMENT NUMBER 2005-001837, JACKSON COUNTY OFFICIAL RECORDS, OREGON.

**PROCEDURE:**  
USING A TRIMBLE S-6 ROBOTIC TOTAL STATION AND TRIMBLE R-10 GPS RECEIVERS, I RECOVERED AND TIED EXISTING MONUMENTS OF RECORD AS SHOWN HEREIN. I HOLD THE RECOVERED JACKSON COUNTY SURVEYOR AND BUREAU OF LAND MANAGEMENT MONUMENTS TO CONTROL THE NORTHEAST QUARTER OF SECTION 11. THE NORTH 1/16 CORNER OF SAID SECTION WAS ESTABLISHED ON SURVEY NUMBER (S/N) 2086. ON S/N 6058 AND 6196, A DIFFERENT CORNER POSITION FOR THE NORTH 1/16 WAS ESTABLISHED ~0.61' SOUTHWESTERLY OF S/N 2086. AS PORTIONS OF THE SUBJECT PROPERTY, ADJOINING PROPERTIES, AND LINES MONUMENTED ON S/N 20675 ARE ALL BASED ON THE ORIGINAL 1/16 POSITION, I HOLD SAID ORIGINAL POSITION AS FOUND. I DO DEPART FROM HOLDING THE RIGHT-OF-WAY OF WAGNER CREEK ROAD AS SHOWN ON SAID S/N 2086 AND S/N 2308, AND INSTEAD HOLD THE AFOREMENTIONED 1/16 POSITION AND DATA AS SHOWN ON S/N 6196 IN CONJUNCTION WITH INST. NO. 73-14415 TO ESTABLISH SAID RIGHT-OF-WAY. THE TWO FOUND IRON PIPES ALONG WAGNER CREEK ROAD AS SET ON S/N 2308 WERE HELD AS WITNESS CORNERS TO WAGNER CREEK ROAD HEREIN. THERE APPEARS TO BE A GAP BETWEEN THE SUBJECT PROPERTY AND THE PROPERTY TO THE WEST. THE DEED CALLS ALONG THE NORTH LINE OF THE SOUTHEAST QUARTER OF THE NORTHEAST QUARTER OF SAID SECTION ARE ALL BASED ON PERFECT MEASUREMENTS OF 1320' AND THE EXCEPTION CALL OF 22 RODS AND 24 LINKS IS TOO EXACT, IN MY OPINION, TO BE INTERPRETED ANY OTHER WAY.

BASIS OF BEARING WAS DETERMINED BY HIGH PRECISION GPS OBSERVATIONS (NAD83 (2011) EPOCH 2010.00 DATUM) APPLIED TO THE EAST HALF OF THE NORTH LINE OF SECTION 11 AS SHOWN HEREIN RESULTING IN A BEARING OF S89°52'13"E.



REGISTERED  
**PROFESSIONAL  
LAND SURVEYOR**

OREGON  
JULY 12, 2016  
PHILIP J. DROSSOS  
No. 90718

Renewal 12-31-23

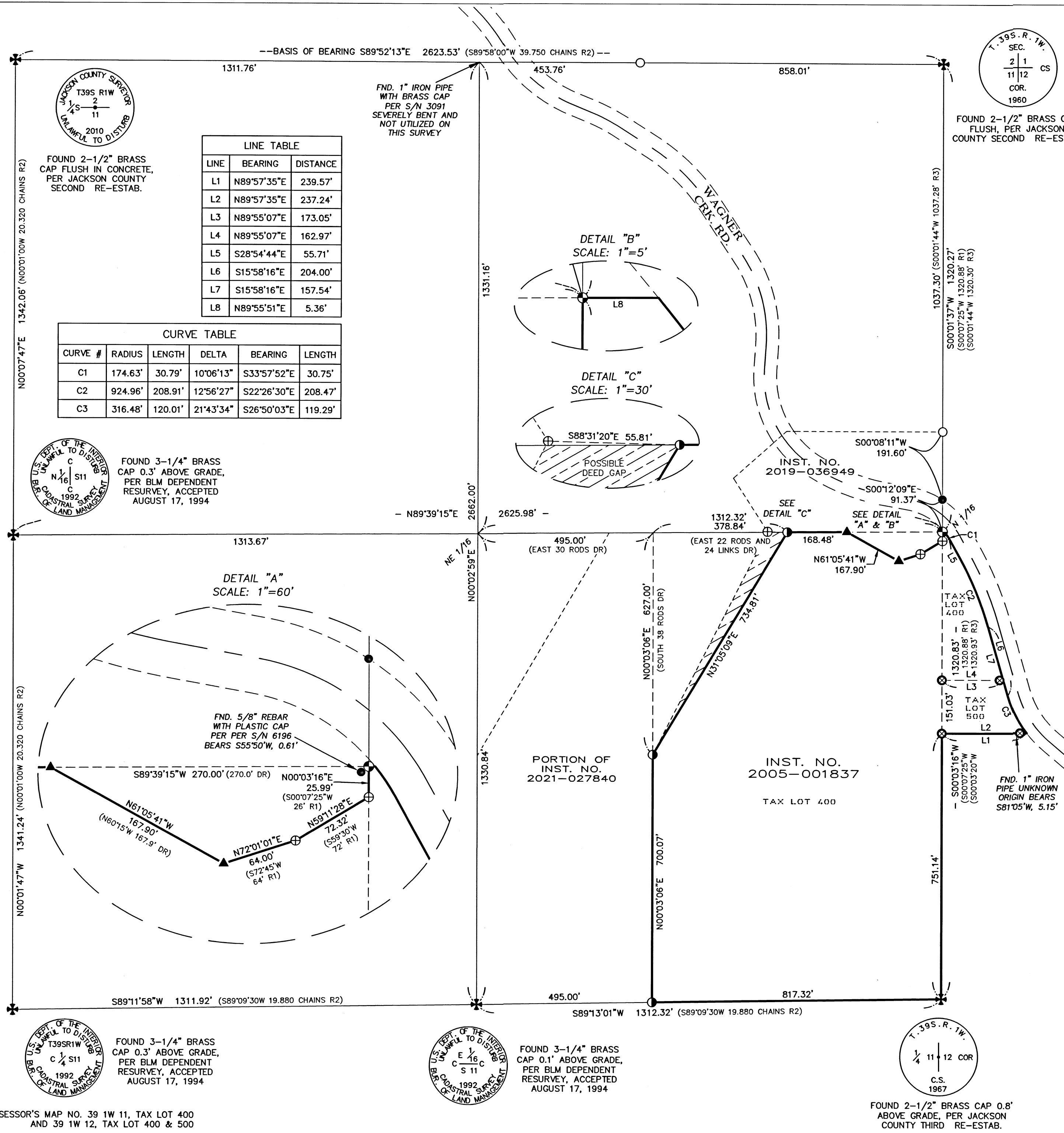
FILED  
Date 7/13/22 By PB  
This Survey Consists Of:  
1 sheet(s) Map  
2 page(s) Narrative  
JACKSON COUNTY  
SURVEYOR

## TERRASURVEY, INC.

PROFESSIONAL LAND SURVEYORS

274 FOURTH STREET  
ASHLAND, OREGON 97520

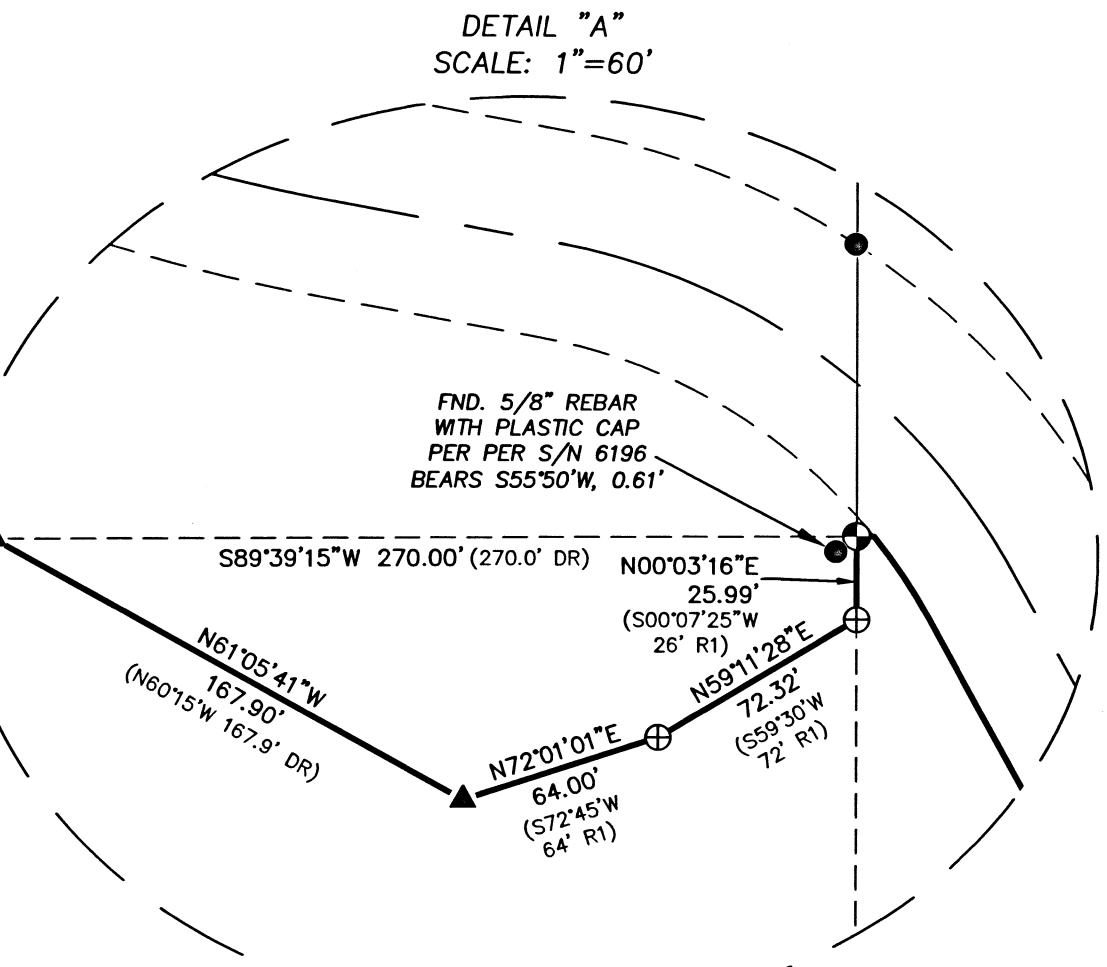
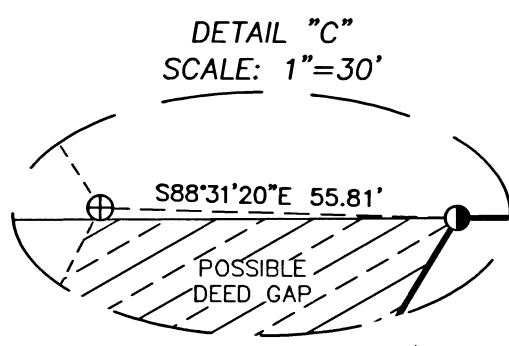
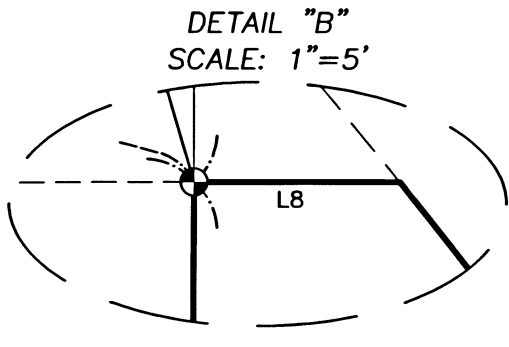
(541) 482-6474  
terrain@bisp.net  
JOB NO. 1595-22



LINE TABLE		
LINE	BEARING	DISTANCE
L1	N89°57'35"E	239.57'
L2	N89°57'35"E	237.24'
L3	N89°55'07"E	173.05'
L4	N89°55'07"E	162.97'
L5	S28°54'44"E	55.71'
L6	S15°58'16"E	204.00'
L7	S15°58'16"E	157.54'
L8	N89°55'51"E	5.36'

CURVE TABLE					
CURVE #	RADIUS	LENGTH	DELTA	BEARING	LENGTH
C1	174.63'	30.79'	10°06'13"	S33°57'52"E	30.75'
C2	924.96'	208.91'	12°56'27"	S22°26'30"E	208.47'
C3	316.48'	120.01'	21°43'34"	S26°50'03"E	119.29'

FOUND 3-1/4" BRASS CAP 0.3' ABOVE GRADE, PER BLM DEPENDENT RESURVEY, ACCEPTED AUGUST 17, 1994



ASSESSOR'S MAP NO. 39 1W 11, TAX LOT 400 AND 39 1W 12, TAX LOT 400 & 500

FOUND 2-1/2" BRASS CAP 0.8' ABOVE GRADE, PER JACKSON COUNTY THIRD RE-ESTAB.