

BOUNDARY SURVEY OF A TRACT OF LAND LOCATED IN THE N1/2 OF SECTION 5, T.36S., R.2W., W.M., JACKSON COUNTY, OREGON

W.O. 21-5677

LEGEND

- SET 5/8" x 30" LONG IRON ROD WITH YELLOW PLASTIC CAP MARKED "ARMSTRONG SURVEYING".
SET 2" ALUMINUM CAP MARKED "ARMSTRONG SURVEYING".
FOUND 5/8" SMOOTH IRON ROD AS PER OREGON STATE HIGHWAY DEPARTMENT DRG. NO. 7B-3-5 "GOLD HILL - SNIDER CREEK SECTION" DATED AUGUST, 1950.
FOUND 3/4" BOLT AS PER C.S. 3373 BY RAY W. BERGMAN, LS 316, RECORDED MARCH 22, 1967.
FOUND 2-1/2" BRASS CAP AS PER DEPENDENT RESURVEY BY HANS W. THIELSEN, CADASTRAL SURVEYOR, UNDER SPECIAL INSTRUCTIONS, GROUP NO. 326, DATED OCTOBER 29, 1956.
FOUND COUNTY SURVEYOR'S BRASS CAPPED MONUMENT RE-ESTABLISHED AS PER DATE SHOWN.
FOUND 3/4" IRON PIPE AS PER C.S. 7534 BY GARY D. KAISER, LS 803, RECORDED DECEMBER 14, 1978.
FOUND 3/4" IRON PIPE AS PER C.S. 8741 BY GARY D. KAISER, LS 803, RECORDED MARCH 6, 1981.
RECORD AS PER GENERAL LAND OFFICE SURVEY BY BALLIN IVES AND GEORGE W. HYDE, DEPUTY SURVEYORS UNDER CONTRACT NO. 39, DATED JANUARY 4, 1854.
RECORD AS PER C.S. 3373 BY RAY W. BERGMAN, LS 316, RECORDED MARCH 22, 1967.
RECORD AS PER C.S. 5999 BY H.L. RICKS, LS 813, RECORDED APRIL 25, 1975.
RECORD AS PER C.S. 7534 BY GARY D. KAISER, LS 803, RECORDED DECEMBER 14, 1978.
RECORD AS PER C.S. 8741 BY GARY D. KAISER, LS 803, RECORDED MAY 6, 1981.
RECORD AS PER C.S. 10625 BY LARRY J. FRIAR, LS 961, RECORDED AUGUST 6, 1986.
RECORD AS PER C.S. 15692 BY DOUGLAS C. MCMAHAN, LS 1913, RECORDED MARCH 10, 1998.
RECORD AS PER C.S. 23111 BY JAMES E. HIBBS, LS 2234, RECORDED JULY 6, 2020.
RECORD AS PER OREGON STATE HIGHWAY DEPARTMENT DRG. NO. 7B-3-5 "GOLD HILL - SNIDER CREEK SECTION" DATED AUGUST, 1950.

CNS COMPUTED NOT SET

EXISTING FENCE

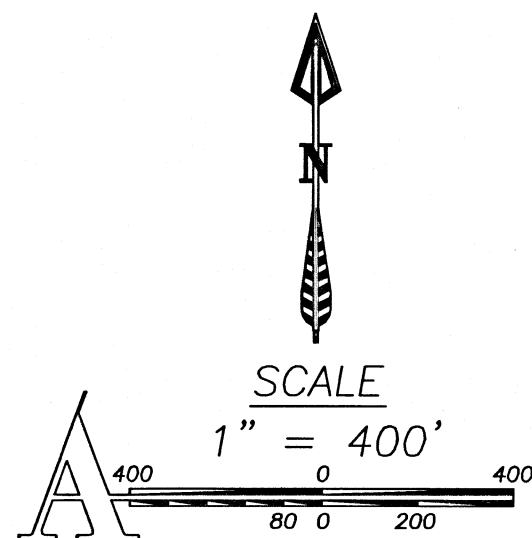
SURVEYOR'S CERTIFICATE

I, TODD R. CATTERSON, A REGISTERED PROFESSIONAL LAND SURVEYOR IN THE STATE OF OREGON, ON THE BASIS OF MY KNOWLEDGE, INFORMATION AND BELIEF, CERTIFY TO PACIFICORP THAT AS A RESULT OF A SURVEY MADE ON THE GROUND TO THE NORMAL STANDARD OF CARE OF PROFESSIONAL LAND SURVEYORS PRACTICING IN OREGON, I HAVE FOUND OR SET THE MONUMENTS AS SHOWN HEREON AND HAVE PREPARED THIS MAP AND NARRATIVE TO REPRESENT SAID SURVEY.

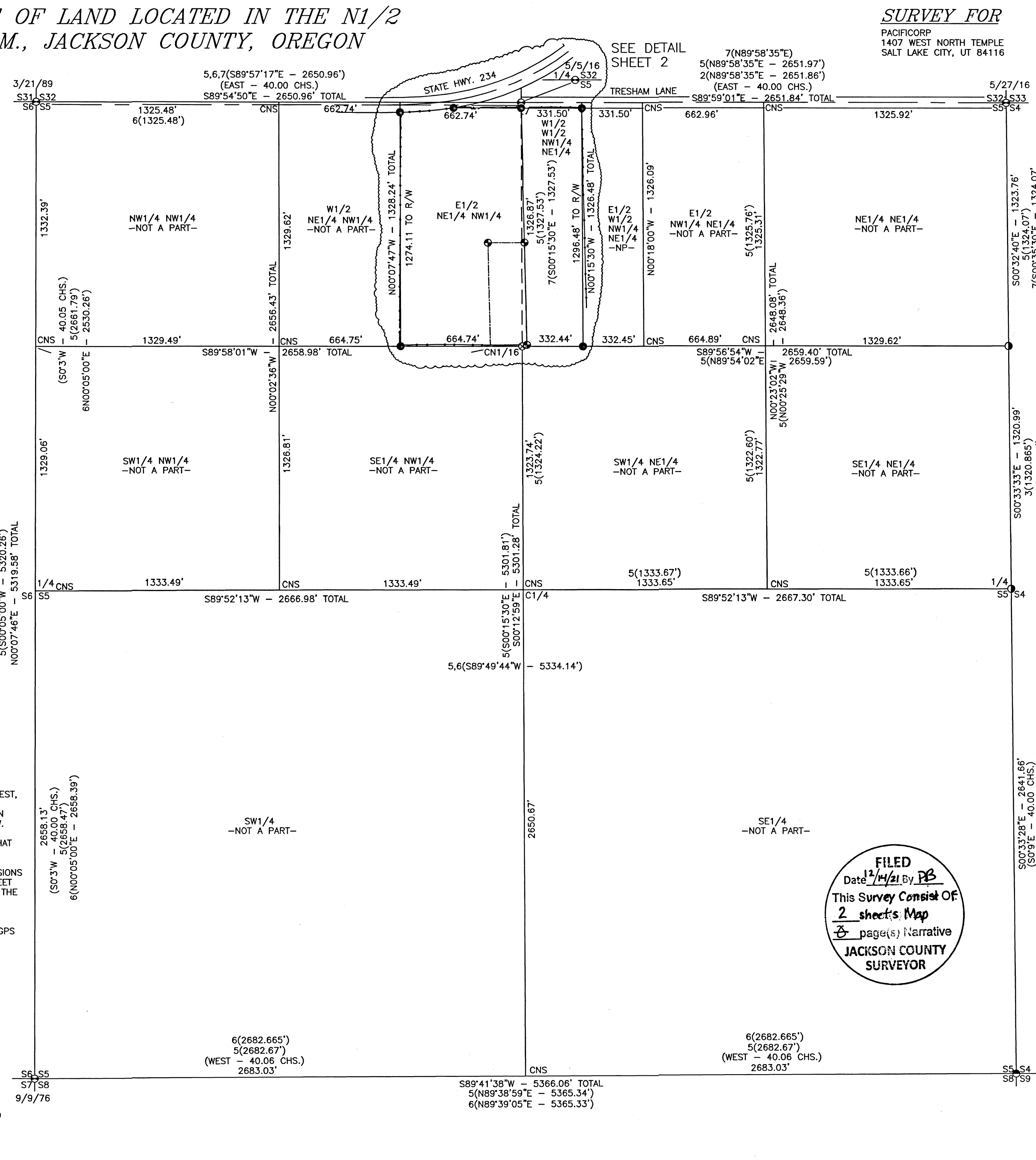
SURVEY NARRATIVE

WE WERE EMPLOYED BY PACIFICORP TO COMPLETE A BOUNDARY SURVEY OF THEIR PROPERTY LOCATED IN THE N1/2 OF SECTION 5, TOWNSHIP 36 SOUTH, RANGE 2 WEST, W.M., JACKSON COUNTY, OREGON. SEARCH IN THE FIELD RECOVERED AND HELD THE CONTROLLING MONUMENTS AROUND SAID SECTION 5 NEEDED TO PERFORM A SECTION BREAKDOWN. WE ALSO RECOVERED THREE OF THE FOUR IRON BOLTS SET BY RAY W. BERGMAN, LS 316, DURING COUNTY SURVEY NO. 3373. I THEN PROCEEDED TO BREAKDOWN SAID SECTION 5 TO COMPUTE THE CORNERS OF THE ALLOQUIT PARTS THAT DESCRIBE SUBJECT PROPERTY. I SURVEYED THE HIGHWAY RIGHT-OF-WAY BY FIRST CREATING THE TANGENT TO THE WEST OF SUBJECT PROPERTY. I SURVEYED THE CENTERLINE OF SAID HIGHWAY, HOLDING A LINE AT POINTS HOLDING RECORD DIMENSIONS OF 15 FEET SOUTH OF THE NORTHWEST CORNER OF SAID SECTION 5 AND 15.96 FEET SOUTH OF THE NORTH ONE-QUARTER CORNER OF SAID SECTION 5. I THEN OFFSET THE NORTH RIGHT-OF-WAY OF THE CURVE AS SURVEYED BETWEEN THE FOUND RIGHT-OF-WAY MONUMENTS 40 FEET SOUTH TO THE CENTERLINE. I THEN FIT THE SPIRAL BETWEEN SAID CENTERLINE TANGENT AND CURVE TO MATCH OTHER FOUND RIGHT-OF-WAY MONUMENTS. THIS SURVEY WAS PERFORMED USING A TRIMBLE R10 GPS SYSTEM IN RTK MODE.

ASSESSOR'S PLAT T.36S., R.2W., S5 T.L. 600 T.L. 700 T.L. 701



OCTOBER 21, 2021



SURVEY FOR PACIFICORP 1407 WEST NORTH TEMPLE SALT LAKE CITY, UT 84116

SURVEY BY ARMSTRONG SURVEYING, INC. 267 NE SECOND ST. STE. 100 PRINEVILLE, OR 97754 (541) 447-7791

SEE DETAIL SHEET 2

FILED Date 12/14/21 By PB This Survey Consist Of 2 sheets: Map & page(s) Narrative JACKSON COUNTY SURVEYOR

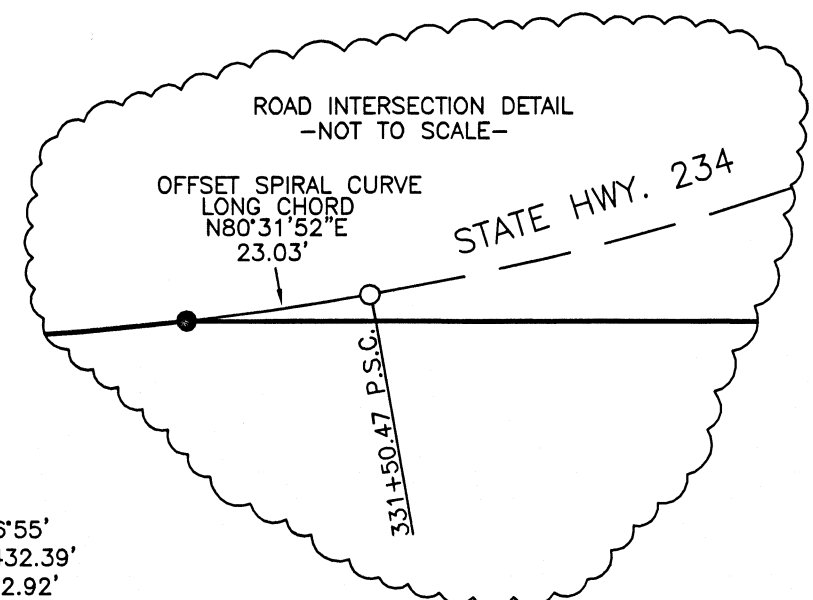
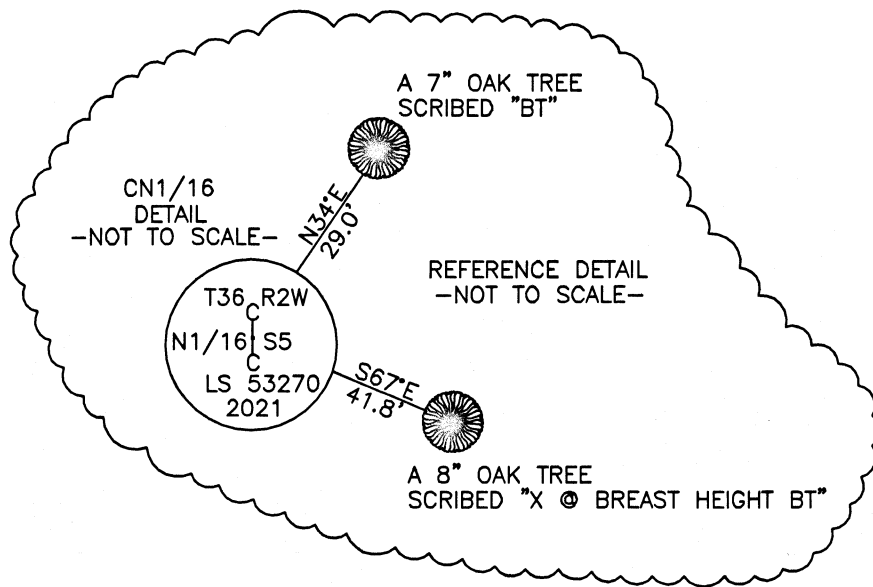
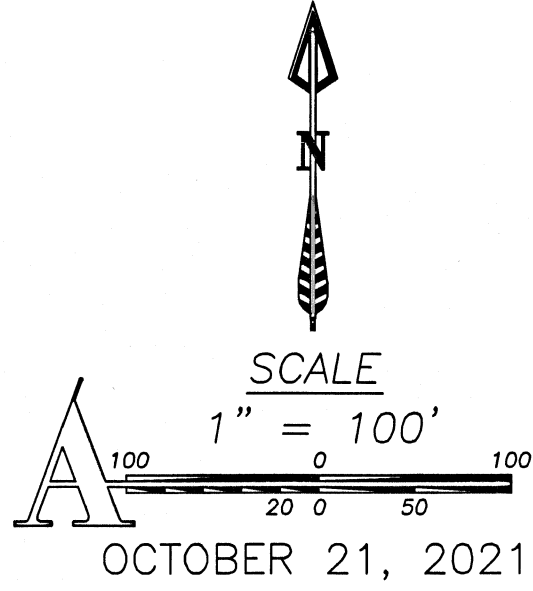
REGISTERED PROFESSIONAL LAND SURVEYOR Todd R. Catterson 12/9/21 OREGON JAN. 15, 2002 TODD R. CATTERSON 56270 RENEWS 12/31/23

ARMSTRONG surveying & engineering, inc. established 1977 SHEET 1 OF 2 DRG. NO. 21-5677PLAT.DWG W.O. 21-5677

BOUNDARY SURVEY OF A TRACT OF LAND LOCATED IN THE N1/2 OF SECTION 5, T.36S., R.2W., W.M., JACKSON COUNTY, OREGON W.O. 21-5677

LEGEND

SEE LEGEND ON SHEET 1

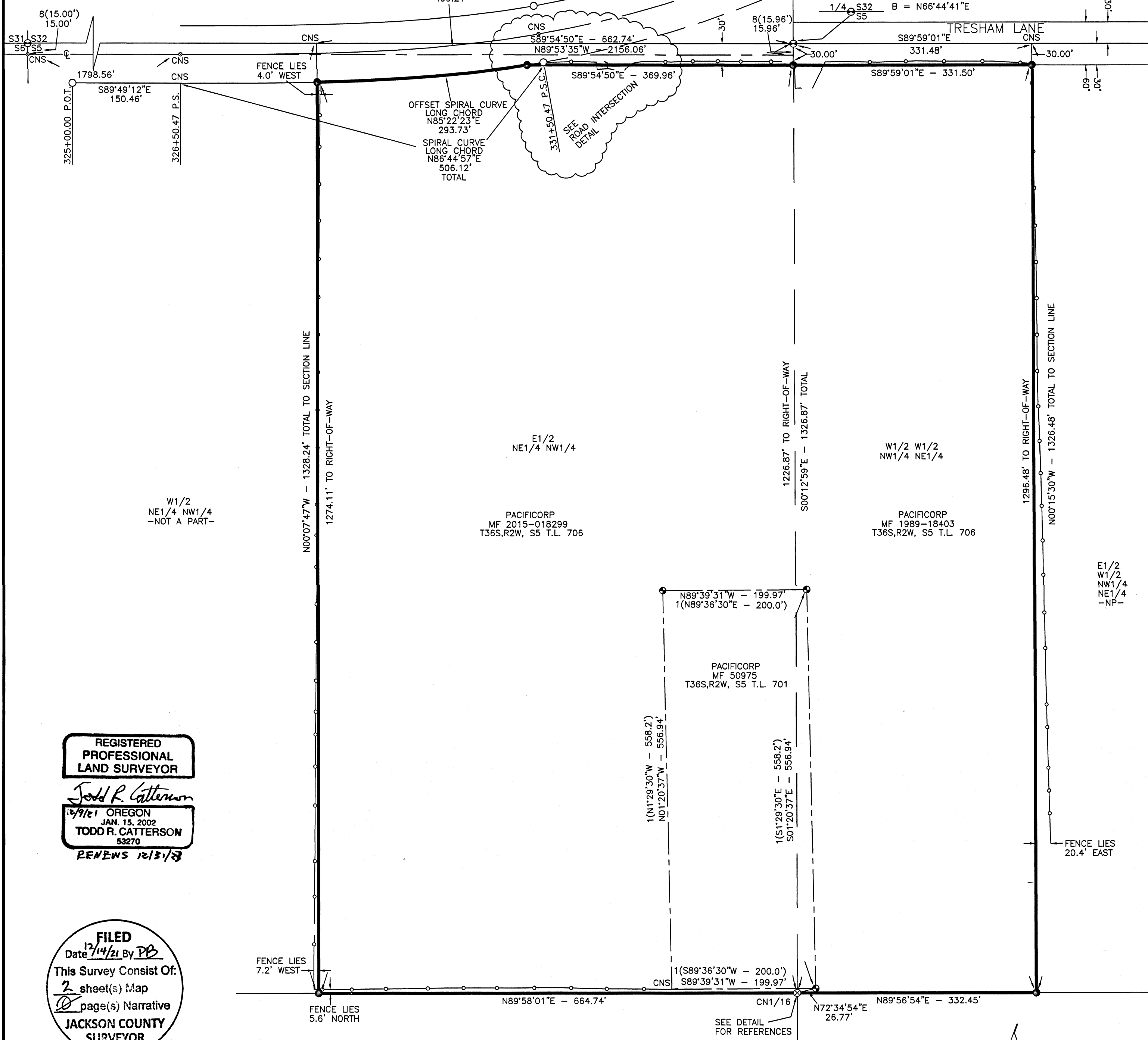


8( ) Δ = 26°55'  
R = 1432.39'  
L = 672.92'  
TΔ = 46°55'  
Ts = N66°44'41"E  
Tl = 1872.92'  
Δ = 26°54'01"  
R = 1432.39'  
L = 672.50'  
CH = 666.34'  
B = N66°44'41"E

Δ = 26°54'01"  
R = 1392.39'  
L = 653.72'  
CH = 647.73'  
B = N66°44'41"E

8( ) 500' SP.  
S = 10'  
A = 0.8  
SPIRAL CURVE  
LONG CHORD  
N86°46'16"E  
499.21'

Δ = 26°54'01"  
R = 1472.39'  
L = 691.28'  
CH = 684.95'  
B = N66°44'41"E



REGISTERED  
PROFESSIONAL  
LAND SURVEYOR

*Todd R. Catterson*  
12/9/21 OREGON  
JAN. 15, 2002  
TODD R. CATTERSON  
53270  
RENEWS 12/31/23

FILED  
Date 12/14/21 By PB  
This Survey Consist Of:  
2 sheet(s) Map  
0 page(s) Narrative  
JACKSON COUNTY  
SURVEYOR

ARMSTRONG  
surveying & engineering, inc.  
established 1977

SHEET 2 OF 2  
DRG. NO. 21-5677 PLAT.DWG  
W.O. 21-5677