

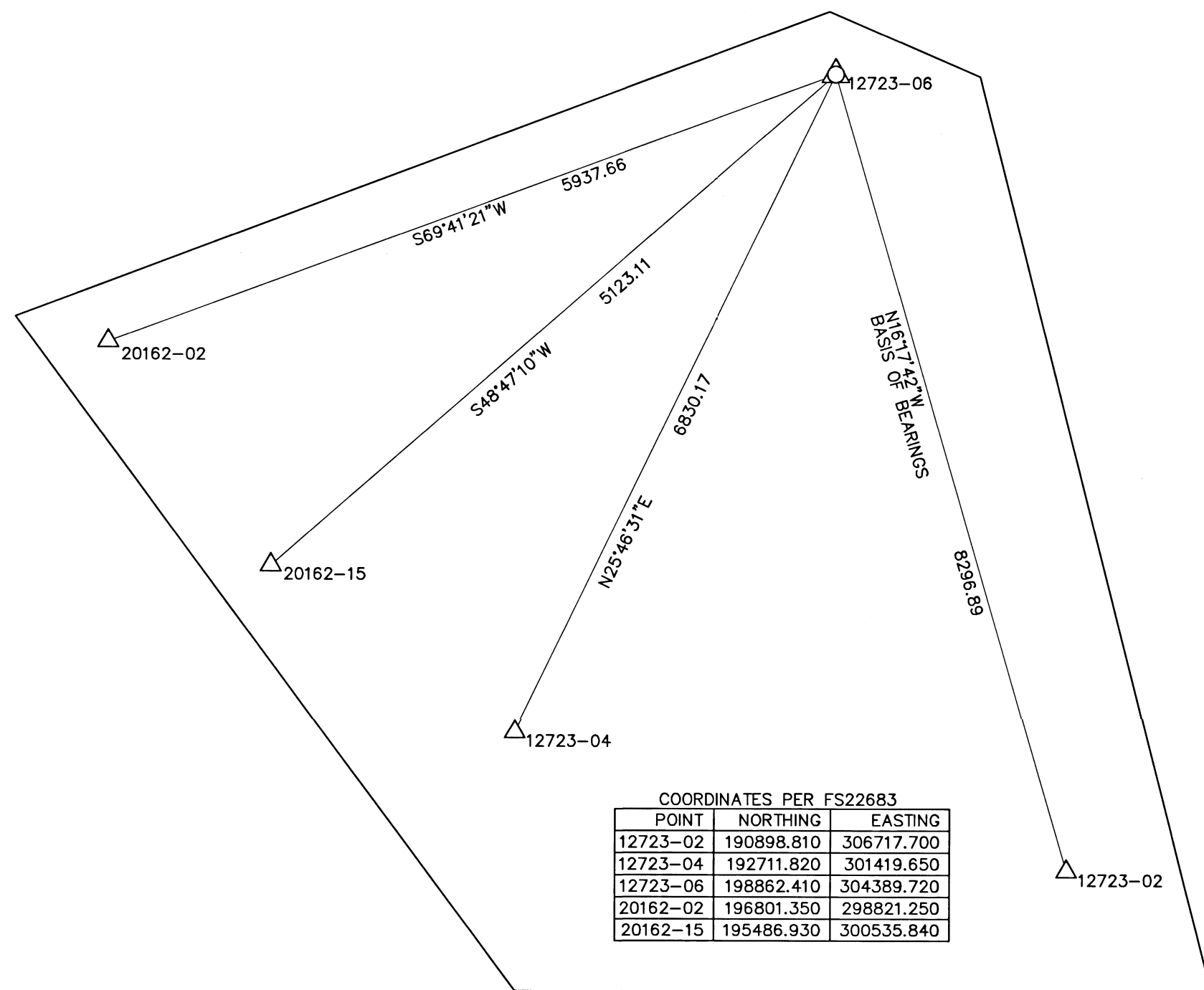
SURVEY FOR:
 ADDERSON CONST., INC.
 3144 PAYNE RD.
 MEDFORD, OR 97504

SURVEY BY:
 L.J. FRIAR & ASSOCIATES, P.C.
 CONSULTING LAND SURVEYORS
 PO BOX 1947
 PHOENIX, OR 97535
 PHONE: (541) 772-2782
 LJFRIAR@ASSOCIATES.CHARTER.NET

DATE:
 OCTOBER 6, 2021

MAP OF SURVEY
 Lot 2, BLOCK 1, NORTHWOOD PARK SUBDIVISION &
 located in the N.W. 1/4 of Sec. 9, T.38S, R.1W, W.M.
 Jackson County, Oregon

- LEGEND:**
- △ = FD. 1" COPPER PLUG PER FS22683.
 - △ = FD. 2" ALUMINUM CAP IN CONCRETE PER FS22683.
 - = FD. 5/8" IRON PIN PER NPS.
 - ⊗ = FD. 5/8" IRON PIN & PLASTIC CAP MKD. BATH LS1069 PER FS10158 OR FS16199.
 - ⊗ = FD. BRASS CAP IN CONCRETE PER NPS.
 - = SET 5/8" X 24" IRON PIN & PLASTIC CAP MKD. L.J. FRIAR & ASSOC.
- ORJCO = OFFICIAL RECORDS OF JACKSON COUNTY, OREGON.
 NPS = NORTHWOOD PARK SUBDIVISION (FS7091).
 2WC = 2.00 FOOT WITNESS CORNER MONUMENT.
 [] = RECORD DATA PER FS16199.
 [] = RECORD DATA PER NPS.
 [] = RECORD DATA PER FS10158.
 FS = FILED SURVEY #.
 C1 = SEE COURSE DATA TABLE.

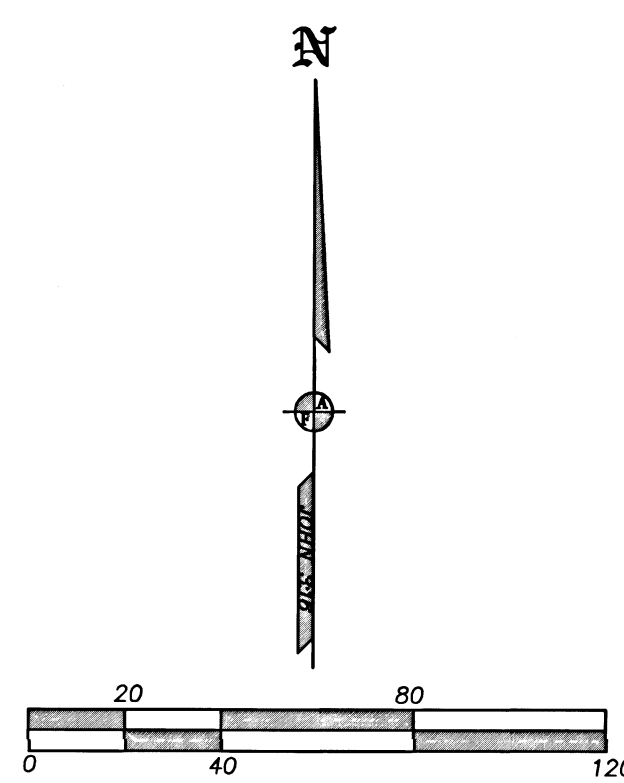


COORDINATES PER FS22683

POINT	NORTHING	EASTING
12723-02	190898.810	306717.700
12723-04	192711.820	304149.650
12723-06	198862.410	304389.720
20162-02	196801.350	298821.250
20162-15	195486.930	300535.840

COURSE DATA TABLE

NUM	DELTA	ARC	RADIUS	CHORD
C1	14°40'15" [14°40'31"]	43.53 [43.54]	170.00 [170.00]	N47°41'48"E 43.41 [N48°02'43"E 43.425]
C2	42°18'31" [42°16'16"]	169.84 [169.685]	230.00 [230.00]	S81°30'58"W 166.00 [S61°50'35"W 165.865]

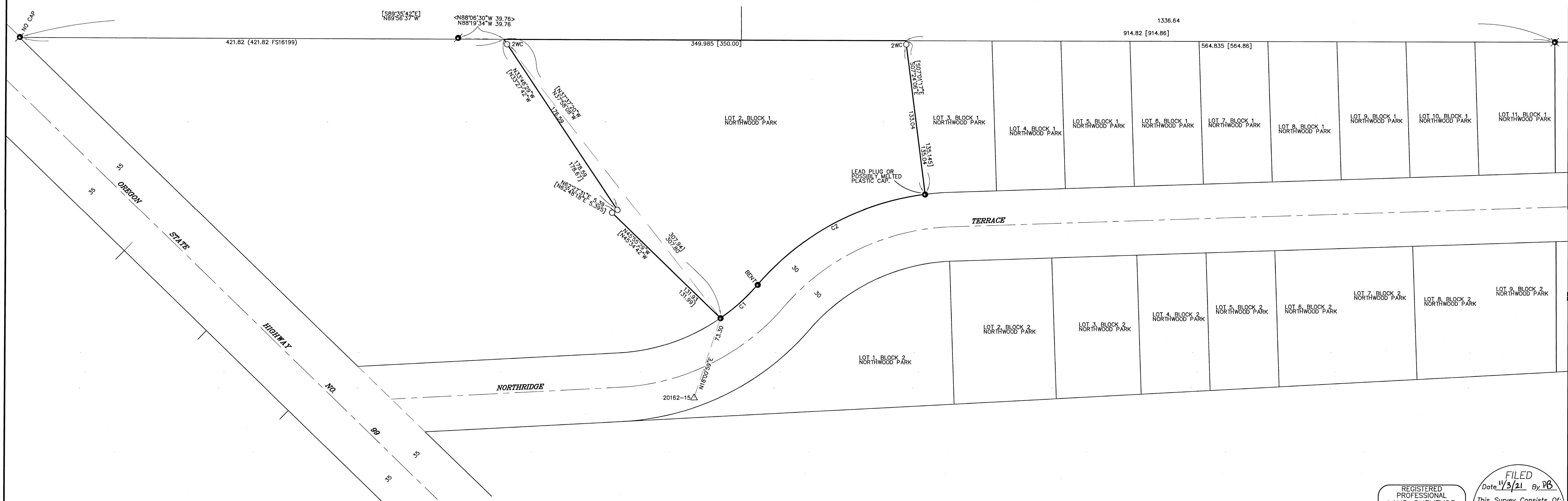


SURVEY NARRATIVE TO COMPLY WITH O.R.S. 209.250

PURPOSE: TO SURVEY AND MONUMENT THE CORNERS OF LOT 2, BLOCK 1 OF NORTHWOOD PARK SUBDIVISION.

PROCEDURE: UTILIZING CONTROL AND MONUMENTS TIED BY THIS OFFICE DURING THE COMPLETION OF FS23240, I COMPUTED THE POSITION OF THE N.W. CORNER OF LOT 2 USING MAP RECORD DISTANCE PER FS16199. THE N.E. CORNER WAS COMPUTED BY PROPORTION OF MEASURED DISTANCE TO PLAT RECORD DISTANCE AS SHOWN. THE WESTERLY LINE WAS POSITIONED BY A COMPASS ADJUSTMENT OF THE RECORD COURSES BETWEEN THE FOUND MONUMENT AT THE S.W. CORNER AND THE COMPUTED N.W. CORNER. THE MONUMENT FOUND AT THE S.E. CORNER APPEARS TO BE THE MONUMENT SET BY THE POST MONUMENTATION OF NORTHWOOD PARK SUBDIVISION (FS7984). I COULD NOT TELL IF IT WAS A MELTED PLASTIC CAP OR A LEAD PLUG IN THE SIDEWALK. AS IT FIT THE PLAT RECORD LOCATION WITHIN REASON, I HELD ITS POSITION AS THE BEST AVAILABLE EVIDENCE OF THE S.E. CORNER OF LOT 2. WITH THIS BOUNDARY RESOLVED I SET MONUMENTS AT THE LOCATIONS AS SHOWN HEREON USING TRIMBLE R10 G.P.S. RECEIVERS.

BASIS OF BEARINGS:
 SURVEY NO. 22683 AS SHOWN.
 UNIT OF MEASUREMENT = FEET SCALE: 1" = 40'



REGISTERED PROFESSIONAL LAND SURVEYOR
 James E. Hibbs
 OREGON JULY 17, 1988
 JAMES E. HIBBS 2234
 RENEWAL DATE: 6-30-23

FILED
 Date: 11/3/21 By: JB
 This Survey Consists Of:
 1 sheet(s) Map
 0 page(s) Narrative
 JACKSON COUNTY SURVEYOR