

**SURVEY FOR:**  
OLAF & COMPANY  
3040 SIGNATURE COURT  
MEDFORD, OR 97504

**SURVEY BY:**  
L.J. FRIAR & ASSOCIATES, P.C.  
CONSULTING LAND SURVEYORS  
P.O. BOX 1947  
PHOENIX, OR 97535  
PHONE: (541) 772-2782  
LJFRIARANDASSOCIATES@CHARTER.NET

**DATE:**  
JULY 24, 2021

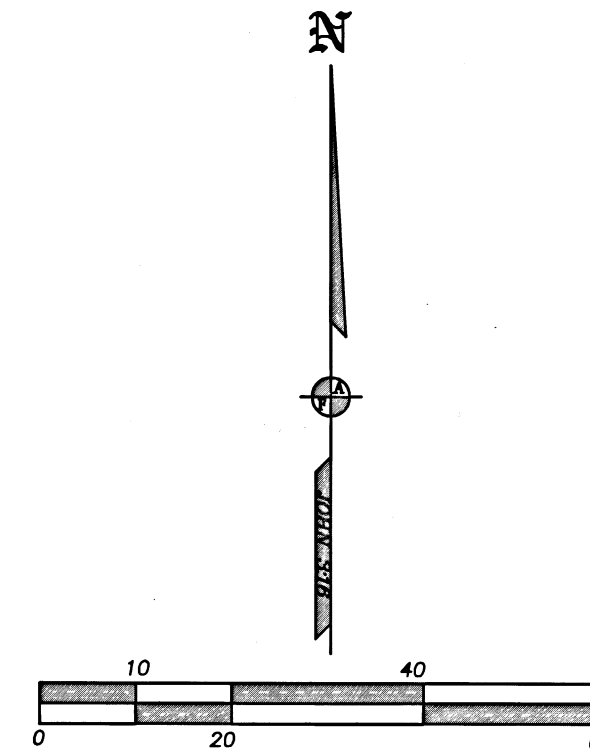
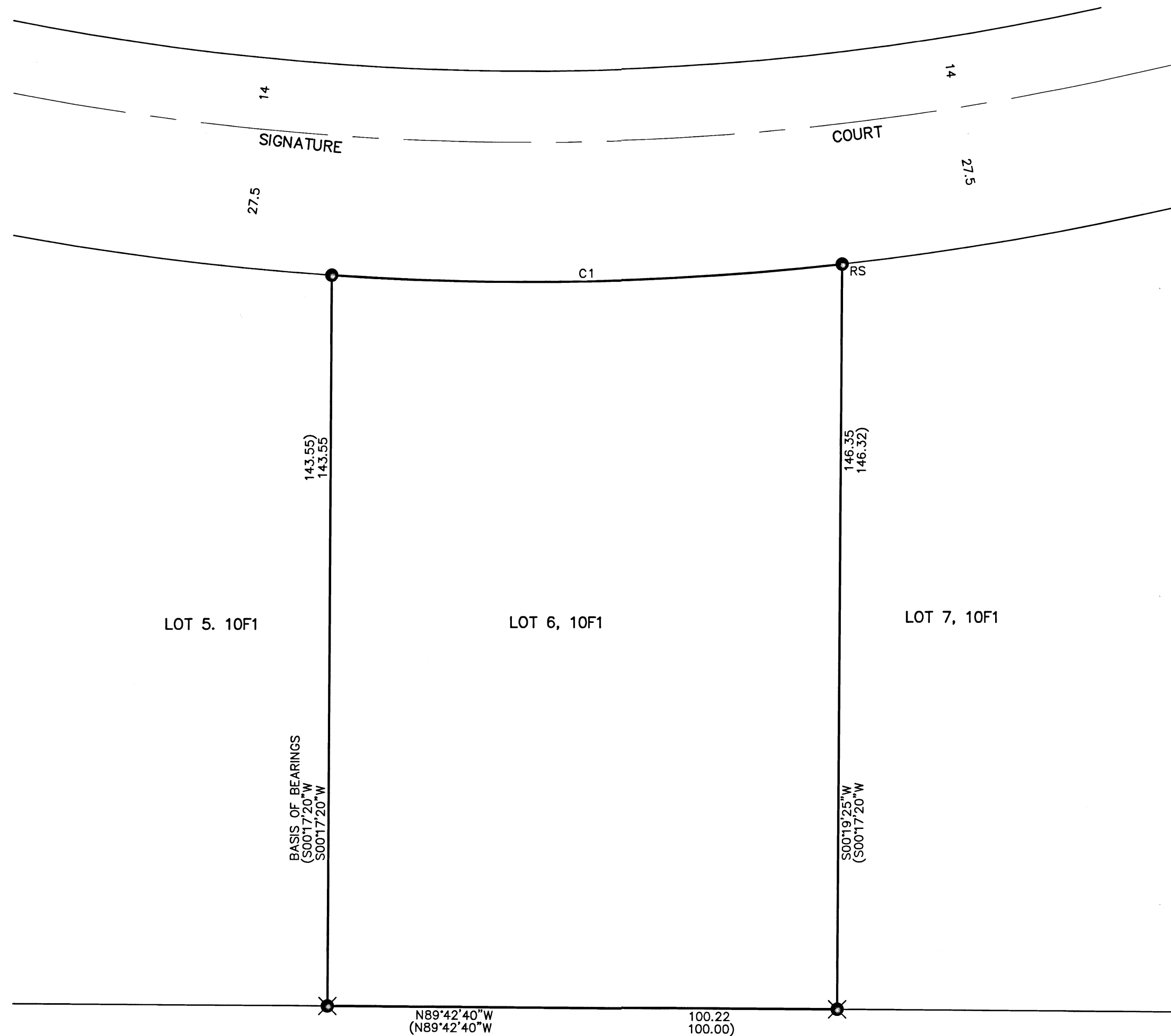
**MAP OF SURVEY**  
**Lot 6 of 10TH FAIRWAY ESTATES, PHASE 1 &**  
**located in the N.E. 1/4 of Sections 28, T.37S., R.1W., W.M.**  
**in the City of Medford Jackson County, Oregon**

**LEGEND:**

- = FD. 5/8" IRON PIN & PLASTIC CAP MKD. MINNECCI LS2349 PER 10F1.
- ⊗ = FD. TACK & BRASS TAG MKD. LS2349 IN LEAD PLUG PER 10F1.
- 10F1 = 10TH FAIRWAY ESTATES, PHASE 1 (FS19311).
- ( ) = RECORD DATA PER 10F1.
- FS = FILED SURVEY #.
- RS = SET 5/8" IRON PIN & PLASTIC CAP MKD. L.J. FRIAR & ASSOC., PC IN PLACE OF FOUND MONUMENT.
- C1 = SEE COURSE DATA TABLE.

**BASIS OF BEARINGS:**

10TH FAIRWAY ESTATES, PHASE 1 (FS19311) AS SHOWN HEREON.  
UNIT OF MEASUREMENT = FEET      SCALE: 1" = 20'



**COURSE DATA TABLE**

NUM	DELTA	ARC	RADIUS	CHORD
C1	10°15'12" (10°13'17")	100.48 (100.17)	561.50 (561.50)	N88°41'16"E 100.35 (N88°42'11"E 100.04)

**SURVEY NARRATIVE TO COMPLY WITH O.R.S. 209.250**

**PURPOSE:** To survey and remonument the N.E. of Lot 6 that was destroyed by construction of a new house.

**PROCEDURE:** Using Trimble R10 G.P.S. receivers made ties to the monuments shown hereon. The N.E. corner monument was destroyed during the construction of the new house & related improvements. I then reset a 5/8 inch iron pin & plastic cap in the position of the found monument.

REGISTERED  
PROFESSIONAL  
LAND SURVEYOR

*James E. Hibbs*  
OREGON  
JULY 17, 1986  
JAMES E. HIBBS  
2234

RENEWAL DATE: 6-30-23

FILED  
Date 9/21/21 By P.B.  
This Survey Consists Of:  
1 sheet(s) Map  
0 page(s) Narrative  
JACKSON COUNTY  
SURVEYOR