

23333

**SURVEY FOR:**

KRB BUILDERS  
471 E. HERSEY ST.  
ASHLAND, OR 97520

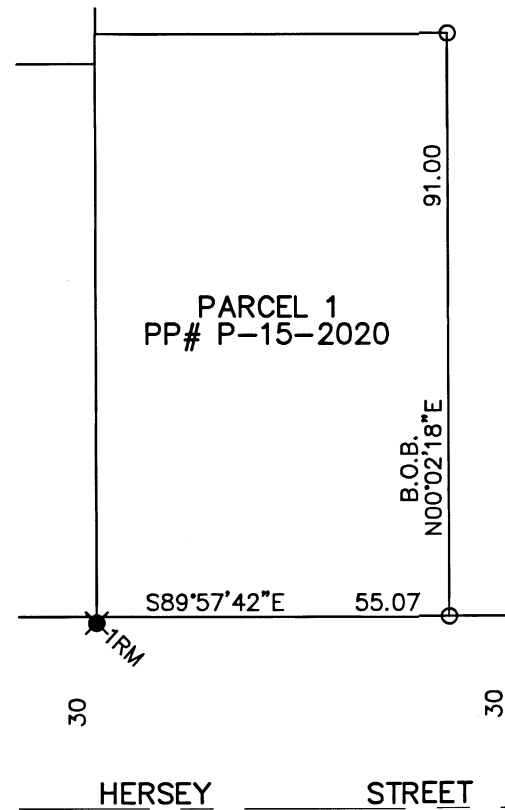
**SURVEY BY:**

L.J. FRIAR & ASSOCIATES, P.C.  
CONSULTING LAND SURVEYORS  
P.O. BOX 1947  
PHOENIX, OREGON 97535  
PH: (541) 772-2782  
ljfriarandassociates@charter.net  
www.friarandassociates.com

# MAP OF SURVEY

In Parcel 1 per PP# P-15-2020 and in  
the S.E. 1/4 of Section 4, T.39S., R.1E., W.M.  
City of Ashland Jackson County, Oregon

DATE  
APRIL 8, 2021

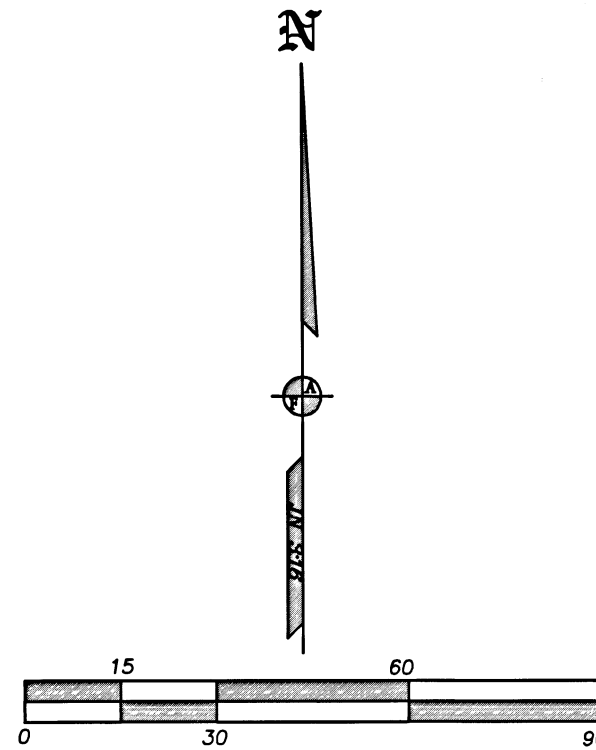


**LEGEND:**

- ⊗ = FD. 1" BRASS TAG & TACK IN LEAD PLUG IN SIDEWALK MKD. PLS2464 PER FS20061. RESET BRASS TAG MKD. L.J. FRIAR & ASSOC & MAG NAIL IN SAME POSITION.
- = FD. 5/8" IRON PIN & PLASTIC CAP MKD. L.J. FRIAR & ASSOC. PER FS23074.
- PP# = PARTITION PLAT NO.
- 1RM = MONUMENT S00°03'46"W 1.00 FROM TRUE CORNER.
- FS = FILED SURVEY #.
- B.O.B. = BASIS OF BEARINGS

**BASIS OF BEARINGS:**

EAST LINE OF PARCEL 1 PER PP# P-15-2020 AS SHOWN HEREON.  
UNIT OF MEASUREMENT = FEET SCALE: 1" = 30'



**SURVEY NARRATIVE TO COMPLY WITH O.R.S. 209.250**

**PURPOSE:** TO REESTABLISH THE POSITION OF A MONUMENT OF RECORD THAT HAD TO BE DESTROYED BY NEW SIDEWALK CONSTRUCTION.

**PROCEDURE:** THIS MONUMENT WAS TIED PREVIOUSLY BY THIS OFFICE DURING FS23074 AND SUBSEQUENTLY REFERENCED PRIOR TO DEMOLITION & REPLACEMENT OF THE SIDEWALK. USING THE REFERENCES SET A BRASS TAG & MAG NAIL IN THE NEW SIDEWALK TO PERPETUATE THE ORIGINAL MONUMENT OF RECORD.

REGISTERED  
PROFESSIONAL  
LAND SURVEYOR  
*James E. Hibbs*  
OREGON  
JULY 17, 1986  
JAMES E. HIBBS  
2234  
RENEWAL DATE 6-30-21

FILED  
Date 5/4/21 By DR  
This Survey Consists Of:  
1 sheet(s) Map  
0 page(s) Narrative  
JACKSON COUNTY  
SURVEYOR

391E04DD TL1300

19164FM

23333