

**SURVEY FOR:**  
 BONNIE MAAS  
 2686 TABLE ROCK ROAD  
 MEDFORD, OR 97501

**SURVEY BY:**  
 L.J. FRIAR & ASSOCIATES, P.C.  
 CONSULTING LAND SURVEYORS  
 PO BOX 1947  
 PHOENIX, OR 97535  
 PHONE: (541) 772-2782  
 EMAIL: LJFRIARANDASSOCIATES@CHARTER.NET

**DATE:**  
 SEPTEMBER 3, 2020

**MAP OF SURVEY**  
 In the S.E. 1/4 of Sec. 13, T.37S, R.2W, W.M.  
 in the City of Medford Jackson County, Oregon

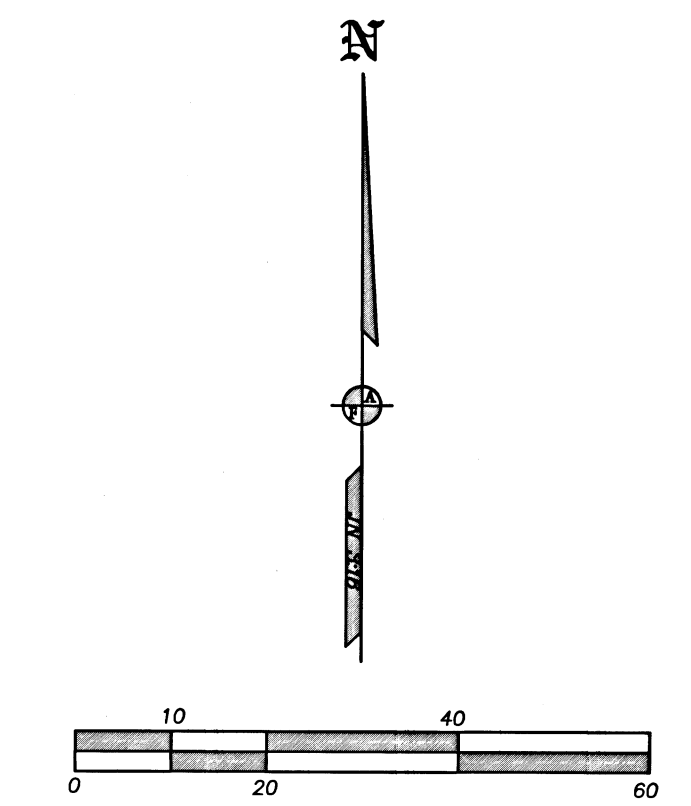
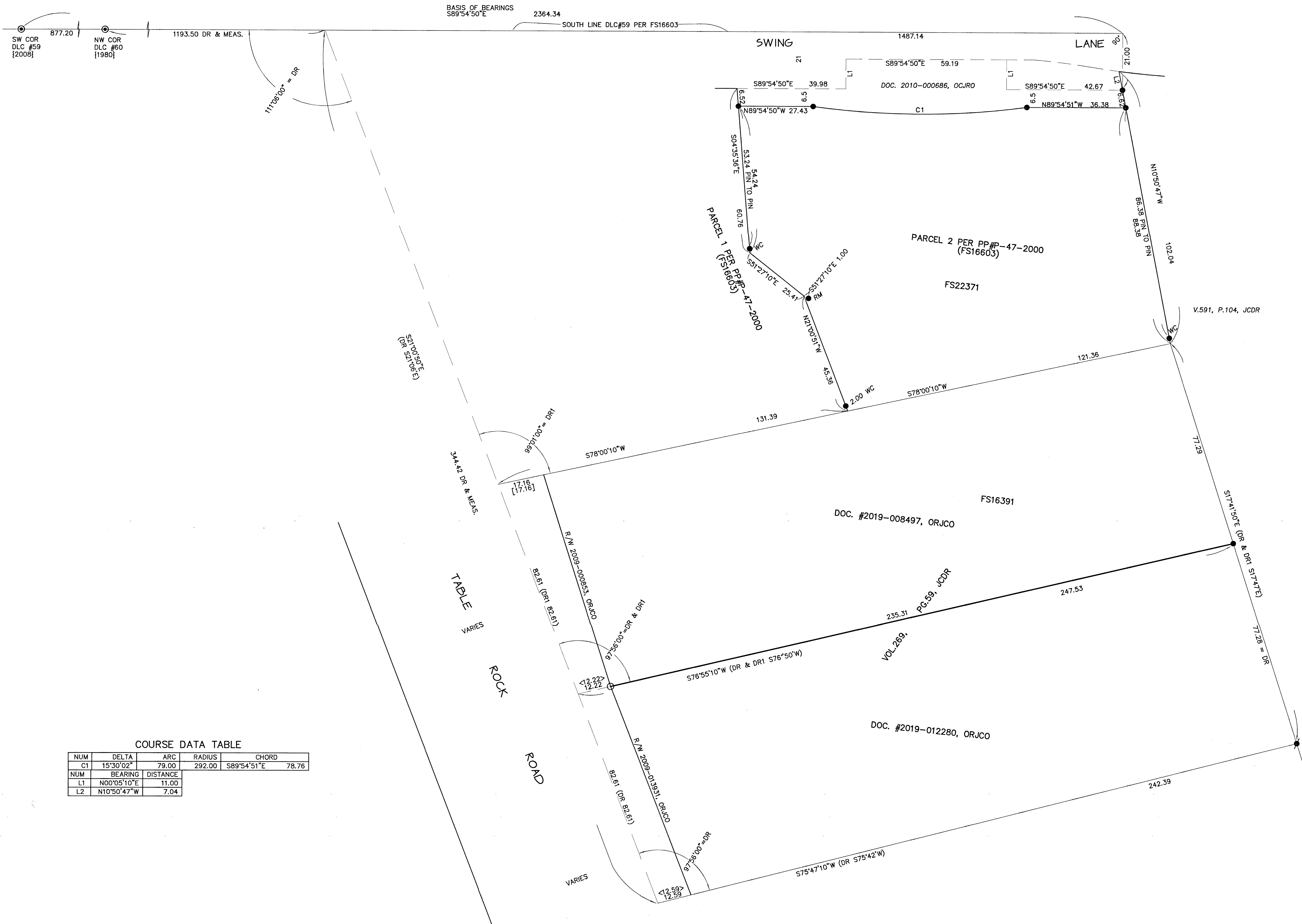
**LEGEND:**

- ⊙ = FD. COUNTY SURVEYOR'S BRASS CAPPED MONUMENT PER {YEAR} RESTAB'S.
- = FD. 2" IRON PIPE. DEED MONUMENT. SEE FS16391.
- = FD. 5/8" IRON PIN & PLASTIC CAP MKD. L.J. FRIAR & ASSOC. PER FS16391, 16603 OR 22371.
- = SET 5/8" X 24" IRON PIN & PLASTIC CAP MKD. L.J. FRIAR & ASSOC.

- FS = FILED SURVEY #.
- DLC = DONATION LAND CLAIM.
- C1/L1 = SEE COURSE DATA TABLE.
- ORJCO = OFFICIAL RECORDS OF JACKSON COUNTY, OREGON.
- JCDR = JACKSON COUNTY DEED RECORDS.
- FD. = FOUND.
- MKD. = MARKED.
- PP# = PARTITION PLAT NO.
- WC = WITNESS CORNER MONUMENT.
- RM = REFERENCE CORNER MONUMENT.
- DR = DEED RECORD DATA PER DOC. 2019-012280, ORJCO.
- DR1 = DEED RECORD DATA PER DOC. 2019-008497, ORJCO.
- DR2 = DEED RECORD DATA PER DOC. 2009-00853, ORJCO.
- DR3 = DEED RECORD DATA PER DOC. 2009-013931, ORJCO.

**BASIS OF BEARINGS:**

SURVEY NO. 16603 AS SHOWN HEREON.  
 UNIT OF MEASUREMENT = FEET SCALE: 1" = 20'



**COURSE DATA TABLE**

NUM	DELTA	ARC	RADIUS	CHORD
C1	15°30'02"	79.00	292.00	S89°54'51"E 78.76
NUM	BEARING	DISTANCE		
L1	N00°05'10"E	11.00		
L2	N10°50'47"W	7.04		

**SURVEY NARRATIVE TO COMPLY WITH O.R.S. 209.250**

**PURPOSE:** TO SURVEY AND MONUMENT THE NORTH LINE OF THAT TRACT SET FORTH IN DOC. 2019-012280, ORJCO TAKING INTO ACCOUNT THE R/W DEEDED PER DOC. 2009-013931, ORJCO.

**PROCEDURE:** THE SUBJECT LINE WAS MONUMENTED BY THIS OFFICE DURING FS16391. USING TRIMBLE R10 G.P.S. RECEIVERS AND TRIMBLE S8 ROBOTIC TOTAL STATION, RE-TIED MONUMENTS AND CONTROL ESTABLISHED BY THIS OFFICE DURING FS16391, 16603 & 22371. HELD DEED RECORD DIMENSION PER DOC. 2009-01931, ORJCO TO POSITION THE NW CORNER OF THE SUBJECT TRACT AND SET MONUMENT AS SHOWN HEREON.

REGISTERED PROFESSIONAL LAND SURVEYOR  
 J. Friar  
 JULY 17, 1986  
 JAMES E. HIBBS  
 223  
 RENEWAL DATE 6-30-21

FILED  
 Date 3/11/21 By JES  
 This Survey Consists Of:  
 1 sheet(s) Map  
 0 page(s) Narrative  
 JACKSON COUNTY SURVEYOR