

SURVEY FOR:
ALMEDA FIRE VICTIMS
& COTA HOMES, LLC.
PO BOX 1947
PHOENIX, OR 97535

SURVEY BY:
L.J. FRIAR & ASSOCIATES, P.C.
CONSULTING LAND SURVEYORS
PO BOX 1947
PHOENIX, OR 97535
PHONE: (541) 772-2782
LJFRIAR@ASSOCIATES@CHARTER.NET

DATE:
JANUARY 14, 2021

MAP OF SURVEY
MONUMENT RECOVERY & BOUNDARY SURVEY
Located in Sections 25 & 26, T.38S, R.1W, W.M. & in
PACIFIC ESTATES, UNIT NO. 1 & CAMUS COURT
in the City of Talent Jackson County, Oregon

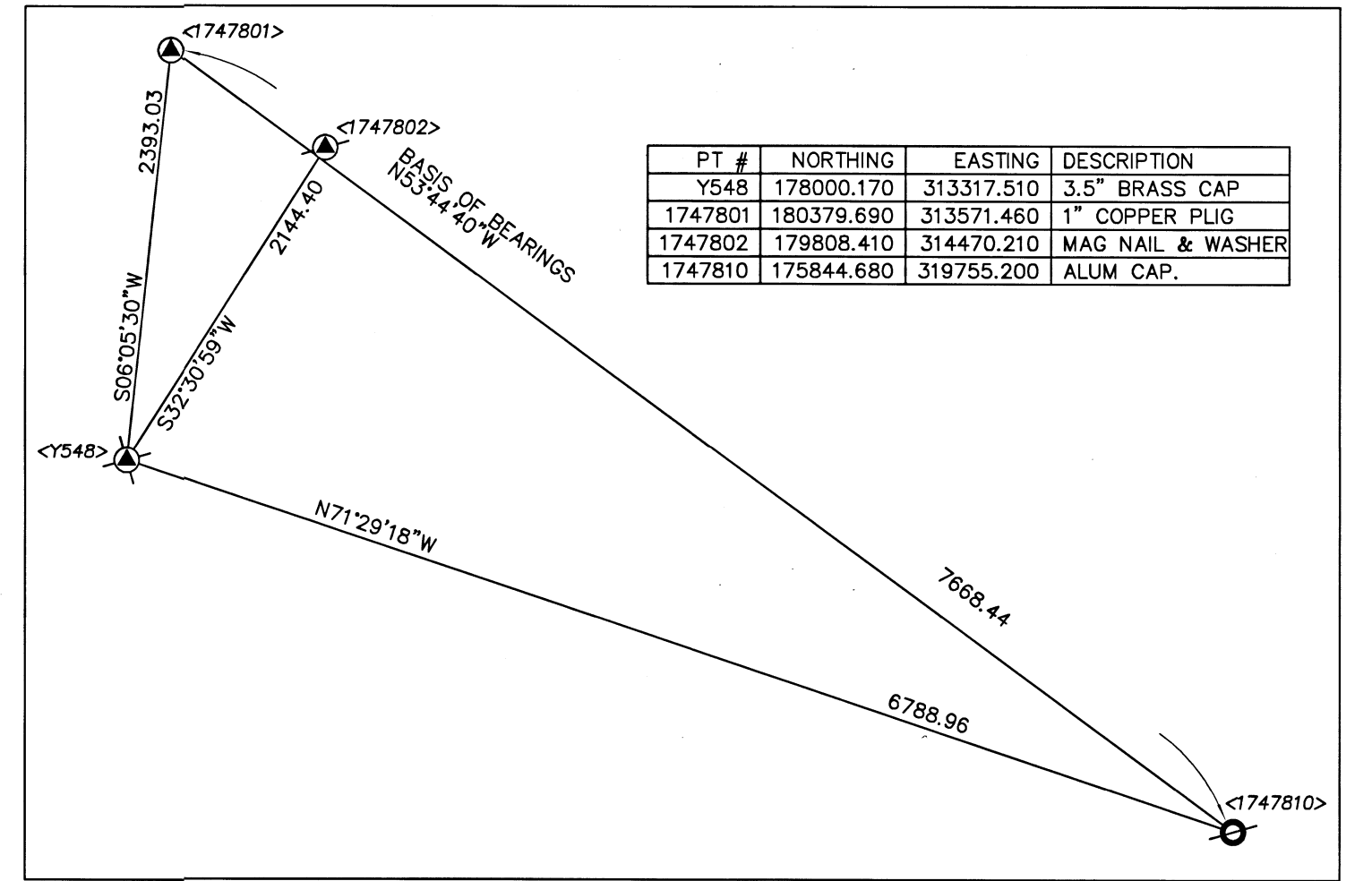
BASIS OF BEARINGS:

SURVEY NO. 22790 AS SHOWN ON SHEET 1.

UNIT OF MEASUREMENT = FEET SCALE: 1" = 30'

MONUMENT TABLE

PT #	NORTHING	EASTING	DESCRIPTION	SURVEY #
5218	179623.927	314233.352	PIN+ALCAP	19696
5231	179192.649	313796.059	PIN+ALCAP	13555
5229	179876.865	313896.793	5/8" PIN	5095
15310	179696.153	314137.355	5/8" PIN	5095
15312	179605.107	314039.194	3/4" PIPE	5095
15313	179543.121	314121.705	5/8" PIN 12" DEEP	5095
15316	179646.951	313983.472	5/8" PIN	5095
15317	179786.536	314017.080	5/8" PIN	5095
15320	179772.488	313816.555	PIN&CAP	11624
15321	179724.931	313780.009	PIN&CAP	11624
15322	179505.972	314071.342	5/8" PIN	5095
15326	179502.158	313850.059	5/8" PIN	5095
15328	179540.564	313799.010	5/8" PIN	5095
15329	179683.099	313835.536	5/8" PIN BENT	5095
15330	179578.718	313748.055	5/8" PIN	5095
15333	179510.754	313951.713	5/8" PIN	5095
15334	179445.223	314038.146	5/8" PIN	UNKNOWN
15349	179369.850	313799.658	5/8" PIN	5095
15353	179847.326	313720.337	PIN&CAP	14773
16228	179831.658	313957.034	5/8" PIN	5095

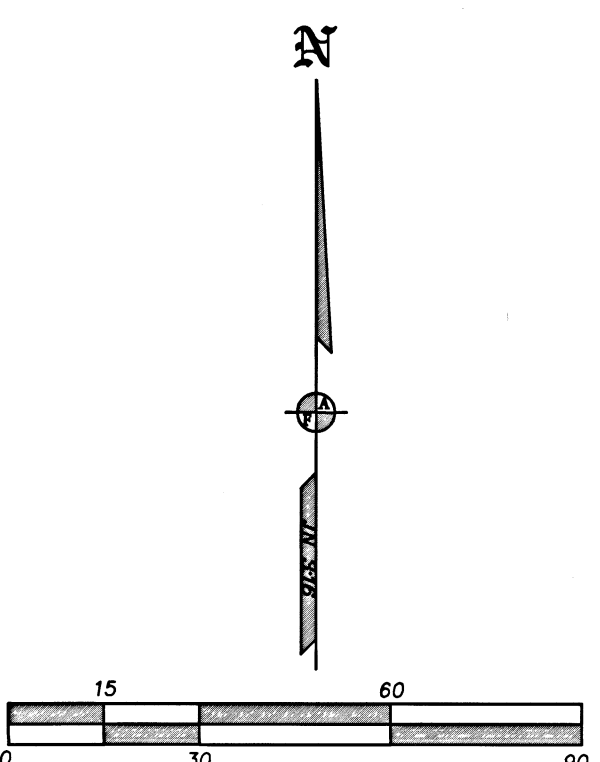


- LEGEND:**
- = FD. MONUMENT AS NOTED IN MONUMENT TABLE.
 - ⊙ = FD. COPPER MONUMENT IN CURB PER FS22790.
 - ⊙ = FD. MAG NAIL & WASHER IN ASPHALT PER FS22790.
 - ⊙ = FD. BRASS IN CONCRETE. SEE FS22790.
 - ⊙ = FD. ALUMINUM CAP PER FS22790.
 - FS = FILED SURVEY #
 - < > = POINT NUMBER PER FS22790.
 - JCS = JACKSON COUNTY SURVEYOR'S OFFICE.

SURVEY NARRATIVE TO COMPLY WITH O.R.S. 209.250

PURPOSE: TO RECOVER EXISTING MONUMENTS ON VARIOUS PROPERTIES DESTROYED BY THE 2020 ALMEDA FIRE.

PROCEDURE: PRIOR TO THE CLEANUP OF THE SUBJECT LOTS, USING TRIMBLE R10 G.P.S. RECEIVERS, MADE TIES TO AS MANY MONUMENTS OF RECORD STILL EXISTING AS SHOWN ON SHEETS 1 & 2 IN CASE THEY ARE REMOVED DURING CLEANUP OPERATIONS ON THESE PROPERTIES. ALL COORDINATES ARE BASED ON THE COORDINATE BASIS PER FS22790.



FILED
Date 2/11/21 By JCS

REGISTERED PROFESSIONAL LAND SURVEYOR
James E. Hibbs
OREGON
JULY 17, 1986
RENEWAL DATE 6-30-21

This Survey Consists Of:
2 sheet(s) Map
0 page(s) Narrative
JACKSON COUNTY SURVEYOR

SHEET 1 OF 2

SURVEY FOR:
ALMEDA FIRE VICTIMS
& COTA HOMES, LLC.
PO BOX 1947
PHOENIX, OR 97535

SURVEY BY:
L.J. FRIAR & ASSOCIATES, P.C.
CONSULTING LAND SURVEYORS
PO BOX 1947
PHOENIX, OR 97535
PHONE: (541) 772-2782
LJFRIARANDASSOCIATES@CHARTER.NET

DATE:
JANUARY 14, 2021

MAP OF SURVEY

MONUMENT RECOVERY & BOUNDARY SURVEY
Located in Sections 25 & 26, T.38S, R.1W, W.M. & in
PACIFIC ESTATES, UNIT NO. 1 & CAMUS COURT
in the City of Talent Jackson County, Oregon

BASIS OF BEARINGS:

SURVEY NO. 22790 AS SHOWN ON SHEET 1.

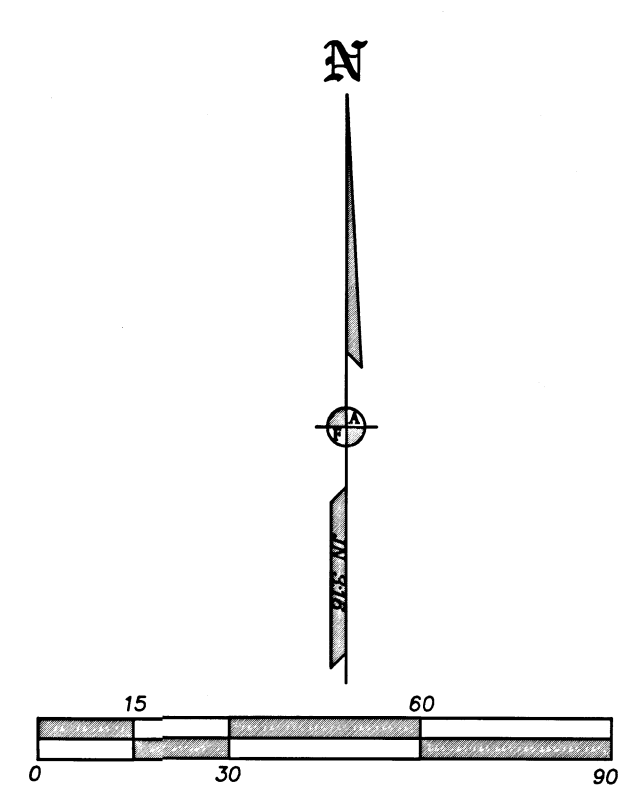
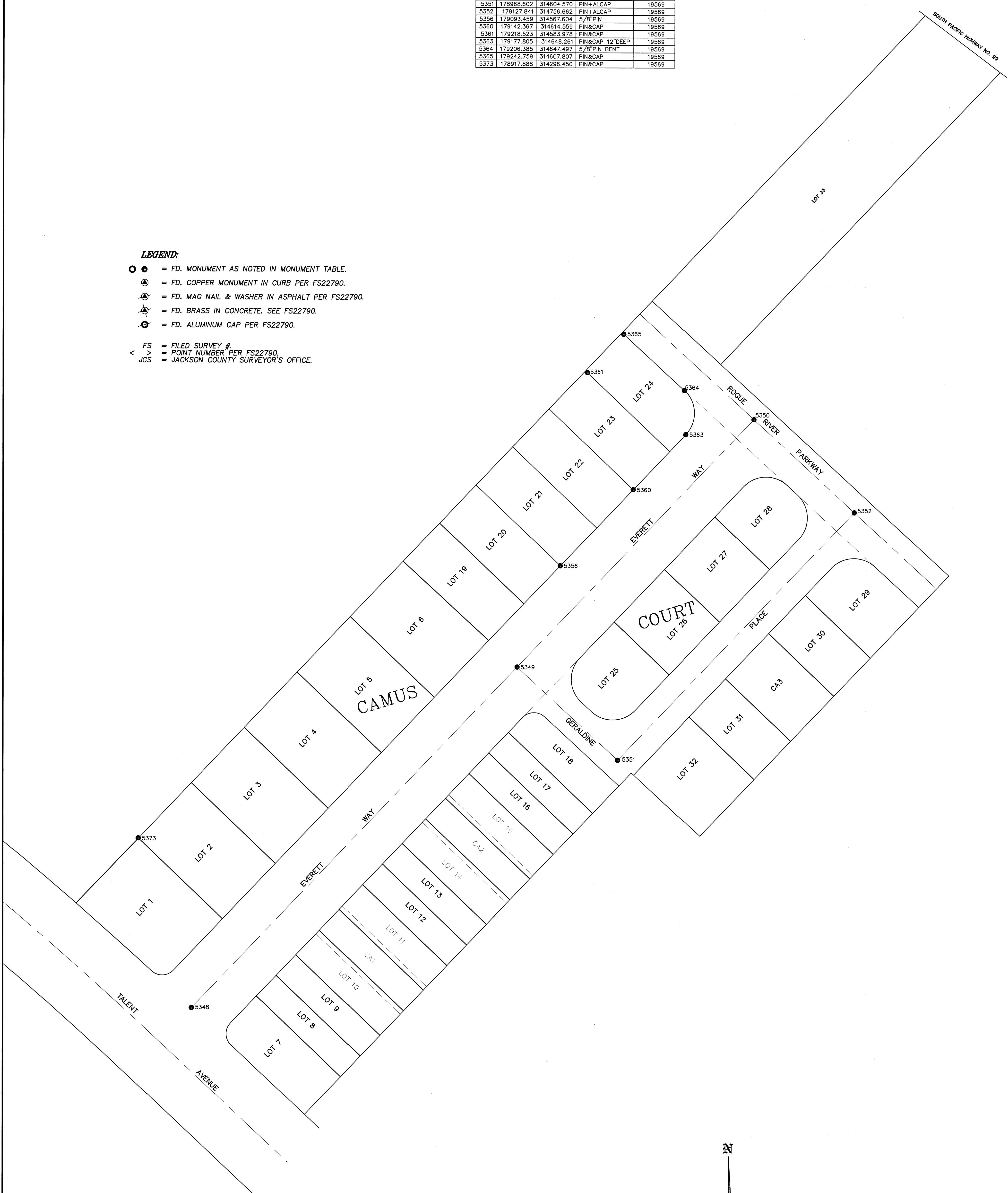
UNIT OF MEASUREMENT = FEET SCALE: 1" = 30'

MONUMENT TABLE

PT #	NORTHING	EASTING	DESCRIPTION	SURVEY #
5348	178809.128	314330.574	PIN+ALCAP	19569
5349	179028.274	314539.996	PIN+ALCAP	19569
5350	179187.526	314692.060	PIN+ALCAP	19569
5351	178968.602	314604.570	PIN+ALCAP	19569
5352	179127.841	314756.662	PIN+ALCAP	19569
5356	179093.459	314567.604	5/8" PIN	19569
5360	179142.367	314614.559	PIN&CAP	19569
5361	179218.523	314583.978	PIN&CAP	19569
5363	179177.805	314648.261	PIN&CAP 12" DEEP	19569
5364	179206.385	314647.497	5/8" PIN BENT	19569
5365	179242.759	314607.807	PIN&CAP	19569
5373	178917.888	314296.450	PIN&CAP	19569

LEGEND:

- ● = FD. MONUMENT AS NOTED IN MONUMENT TABLE.
- ⊙ = FD. COPPER MONUMENT IN CURB PER FS22790.
- ⊗ = FD. MAG NAIL & WASHER IN ASPHALT PER FS22790.
- ⊕ = FD. BRASS IN CONCRETE. SEE FS22790.
- ⊖ = FD. ALUMINUM CAP PER FS22790.
- FS = FILED SURVEY #.
- < > = POINT NUMBER PER FS22790.
- JCS = JACKSON COUNTY SURVEYOR'S OFFICE.



FILED
Date 2/11/21 By PB

This Survey Consists Of:
2 sheet(s) Map
0 page(s) Narrative
JACKSON COUNTY SURVEYOR

REGISTERED PROFESSIONAL LAND SURVEYOR
OREGON
JULY 17, 1986
JAMES E. HIBBS
2234
RENEWAL DATE 6-30-21