

SURVEY FOR:
 ALMEDA FIRE VICTIMS
 & COTA HOMES, LLC.
 PO BOX 1947
 PHOENIX, OR 97535

SURVEY BY:
 L.J. FRIAR & ASSOCIATES, P.C.
 CONSULTING LAND SURVEYORS
 PO BOX 1947
 PHOENIX, OR 97535
 PHONE: (541) 772-2782
 L.FRIARANDASSOCIATES@CHARTER.NET

DATE:
 JANUARY 14, 2021

MAP OF SURVEY
MONUMENT RECOVERY & BOUNDARY SURVEY
 Located in Sections 23 & 26, T.38S, R.1W, W.M. & in
 GANGNES SUBDIVISION, WAGNER PARK VILLAGE,
 and OLD BRIDGE VILLAGE, in the City of Talent
 Jackson County, Oregon

- LEGEND:**
- = FD. MONUMENT AS NOTED IN MONUMENT TABLE.
 - ⊙ = FD. COPPER MONUMENT IN CURB PER FS22790.
 - ⊙ = FD. MAG NAIL & WASHER IN ASPHALT PER FS22790.
 - ⊙ = FD. BRASS IN CONCRETE. SEE FS22790.
 - ⊙ = FD. ALUMINUM CAP PER FS22790.
 - FS = FILED SURVEY #
 - < > = POINT NUMBER PER FS22790.
 - JCS = JACKSON COUNTY SURVEYOR'S OFFICE.

BASIS OF BEARINGS:

SURVEY NO. 22790 AS SHOWN ON SHEET 1.

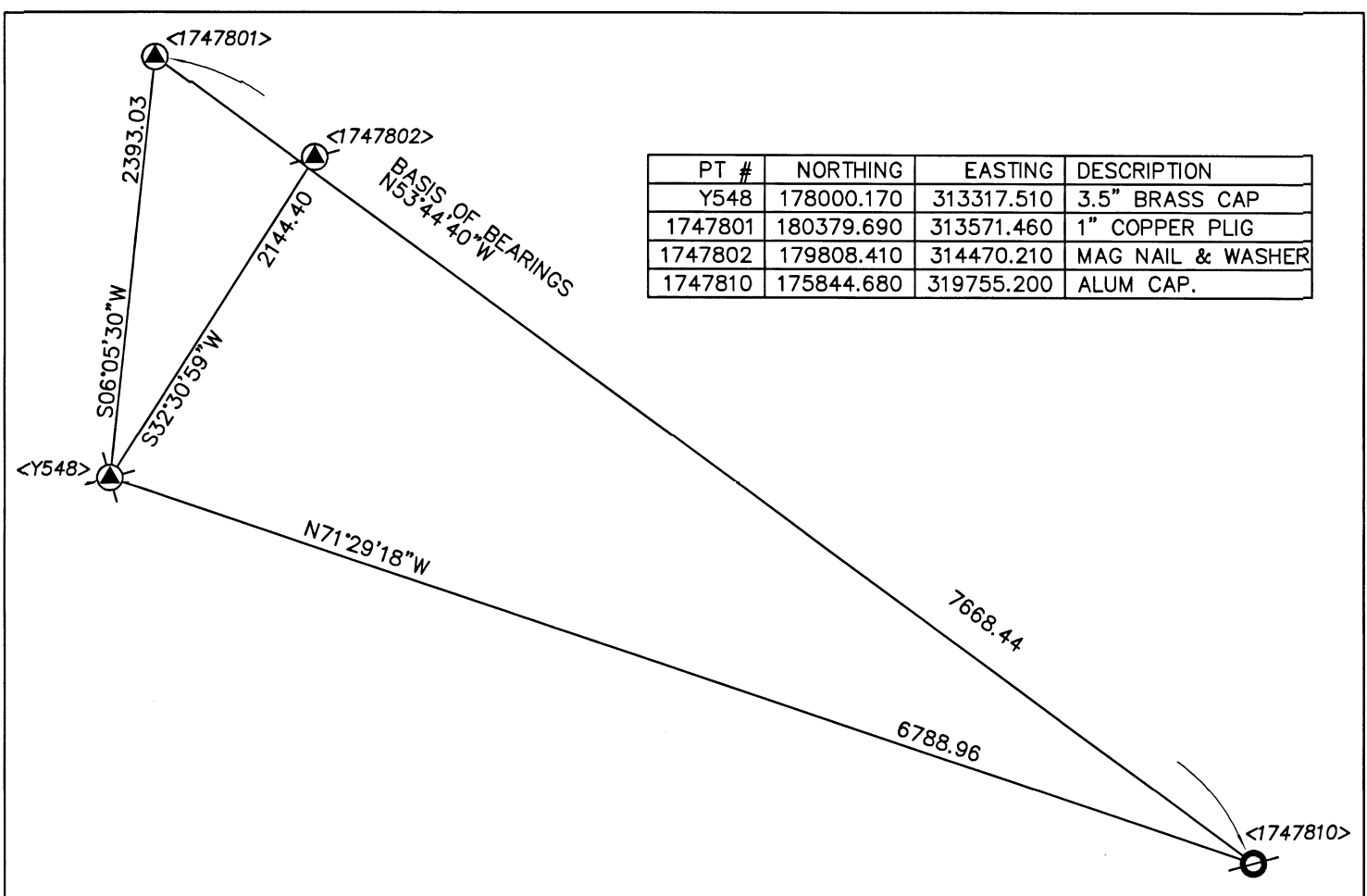
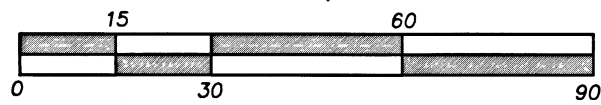
UNIT OF MEASUREMENT = FEET SCALE: 1" = 30'



MONUMENT TABLE

PT #	NORTHING	EASTING	DESCRIPTION	SURVEY #
5203	179915.412	312883.694	LEAD&TAG	13416
5207	179996.978	313105.325	PIN&CAP	13416
5213	180247.709	313155.337	2.5" PIPE	GANGNES SUB
5221	179932.429	312897.604	PIN&CAP	13416
5222	179963.316	312923.000	PIN&CAP	13416
5223	179994.380	312948.261	PIN&CAP	13416
5224	180025.311	312973.538	5/8" PIN	13416
5225	180056.337	312998.882	PIN&CAP	13416
5233	179888.990	313016.986	PIN&CAP	13416
5235	179949.396	313066.465	5/8" PIN	13416
5236	179979.573	313091.279	PIN&CAP	13416
5381	180564.132	312996.938	5/8" PIN	GANGNES SUB
5382	180522.150	313053.002	5/8" PIN	GANGNES SUB
5383	180473.751	312929.194	5/8" PIN	GANGNES SUB
5385	180385.962	313234.321	5/8" PIN BENT	GANGNES SUB
5386	180342.154	313004.606	5/8" PIN 12" DEEP	GANGNES SUB
6232	179858.764	312992.310	PIN&CAP	13416
25227	180528.281	312587.021	PIN&CAP	GANGNES SUB
25228	180627.185	312913.104	5/8" PIN	GANGNES SUB

N



SURVEY NARRATIVE TO COMPLY WITH O.R.S. 209.250

PURPOSE: TO RECOVER EXISTING MONUMENTS ON VARIOUS PROPERTIES DESTROYED BY THE 2020 ALMEDA FIRE.

PROCEDURE: PRIOR TO THE CLEANUP OF THE SUBJECT LOTS, USING TRIMBLE R10 G.P.S. RECEIVERS, MADE TIES TO AS MANY MONUMENTS OF RECORD STILL EXISTING AS SHOWN ON SHEETS 1 & 2 IN CASE THEY ARE REMOVED DURING CLEANUP OPERATIONS ON THESE PROPERTIES. ALL COORDINATES ARE BASED ON THE COORDINATE BASIS PER FS22790.

REGISTERED PROFESSIONAL LAND SURVEYOR

JAMES E. HIBBS
 OREGON
 JULY 17, 1986
 2234
 RENEWAL DATE 6-30-21

FILED
 Date 2/11/21 By PB
 This Survey Consists Of:
 2 sheet(s) Map
 0 page(s) Narrative
 JACKSON COUNTY SURVEYOR

SURVEY FOR:
ALMEDA FIRE VICTIMS
& COTA HOMES, LLC.
PO BOX 1947
PHOENIX, OR 97535

SURVEY BY:
L.J. FRIAR & ASSOCIATES, P.C.
CONSULTING LAND SURVEYORS
PO BOX 1947
PHOENIX, OR 97535
PHONE: (541) 772-2782
LJFRIARANDASSOCIATES@CHARTER.NET

DATE:
JANUARY 14, 2021

MAP OF SURVEY

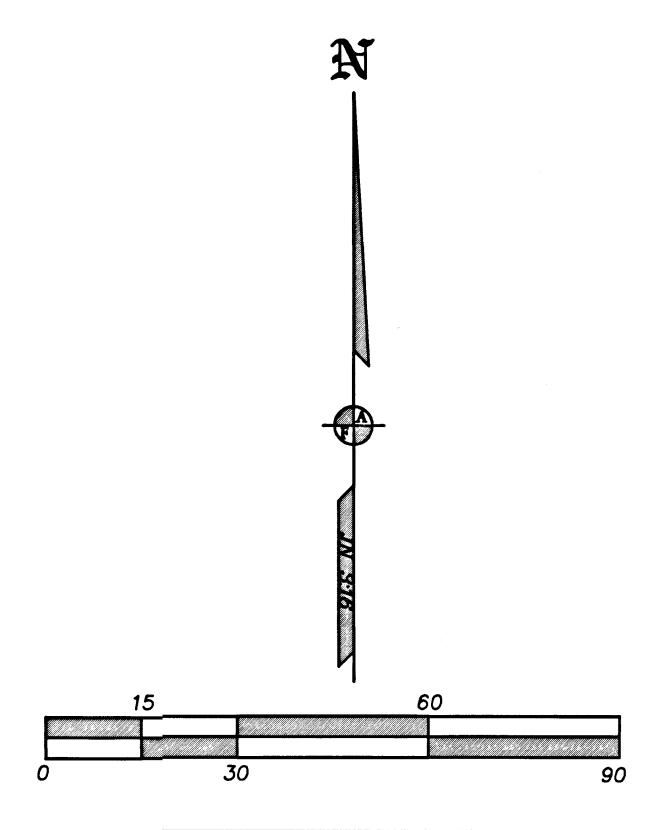
MONUMENT RECOVERY & BOUNDARY SURVEY

Located in Sections 23 & 26, T.38S, R.1W, W.M. & in
GANGES SUBDIVISION, WAGNER PARK VILLAGE,
and OLD BRIDGE VILLAGE, in the City of Talent
Jackson County, Oregon

BASIS OF BEARINGS:
SURVEY NO. 22790 AS SHOWN ON SHEET 1.
UNIT OF MEASUREMENT = FEET SCALE: 1" = 30'

- LEGEND:**
- ● = FD. MONUMENT AS NOTED IN MONUMENT TABLE.
 - ⊙ = FD. COPPER MONUMENT IN CURB PER FS22790.
 - ⊙ = FD. MAG NAIL & WASHER IN ASPHALT PER FS22790.
 - ⊙ = FD. BRASS IN CONCRETE. SEE FS22790.
 - ⊙ = FD. ALUMINUM CAP PER FS22790.
- FS = FILED SURVEY #
> = POINT NUMBER PER FS22790.
JCS = JACKSON COUNTY SURVEYOR'S OFFICE.

PT #	NORTHING	EASTING	DESCRIPTION	SURVEY #
5025	179930.198	313811.713	PIN&CAP	11315
5026	180026.156	313307.931	PIN+ALCAP	18380
5033	179850.584	313403.520	PIN&CAP	18380
5035	180120.711	313341.963	PIN&CAP	18380
5036	179993.919	313350.798	5/8" PIN	18380
5037	179972.288	313539.404	5/8" PIN	18380
5038	179923.470	313604.179	5/8" PIN BENT	18380
5239	180228.835	313266.095	PIN&CAP	20616
5240	180300.244	313319.672	PIN&CAP	20616
5241	180164.556	313332.554	PIN+ALCAP	18380
5244	179831.839	313377.218	PIN+ALCAP	18380
5245	179925.456	313649.244	PIN+ALCAP	18380
5246	180010.170	313339.822	PIN+ALCAP	18380
5247	179736.414	313506.346	PIN+ALCAP	18380
5248	179863.725	313336.796	PIN+ALCAP	18380
5249	179774.815	313287.004	PIN+ALCAP	18380
5250	179656.352	313444.760	PIN+ALCAP	18380
5252	179921.903	313674.761	5/8" PIN	18380
5254	179953.481	313633.037	PIN&CAP	18380
5255	179727.619	313366.477	PIN&CAP	18380
5256	179791.214	313414.245	PIN&CAP	18380
5257	179754.784	313330.280	PIN&CAP BENTWEST	18380
5258	179818.180	313378.272	PIN&CAP BENTSW	18380
5302	179660.239	313173.164	PIN+ALCAP	18380
5303	179723.480	313220.727	PIN+ALCAP	18380
5304	179790.193	313254.082	PIN+ALCAP	18380
5305	179879.359	313260.377	PIN+ALCAP	18380
5306	179993.379	313261.128	PIN+ALCAP	18380
5307	180036.273	313273.726	PIN+ALCAP	18380
5308	180109.758	313295.293	PIN&CAP	18380
5309	179584.869	313539.891	PIN+ALCAP	18380
5374	180097.466	313279.651	PIN&CAP	18380
5375	180120.035	313202.975	PIN&CAP	18380
5376	180054.813	313267.081	PIN&CAP	18380
5377	180077.339	313190.397	PIN&CAP	18380
5378	180341.229	313265.011	PIN&CAP	18380
5387	180213.354	313435.165	PIN&CAP	18380
5388	180238.827	313401.136	5/8" PIN	18380
5389	180213.783	313434.395	PIN&CAP	20616
5394	179995.139	313376.516	PIN&CAP	18380
5396	179973.460	313405.360	PIN&CAP	18380
5397	180036.905	313453.054	PIN&CAP	18380
5405	179951.886	313434.125	PIN-CAP	18380
5406	179930.206	313462.939	PIN&CAP	18380
5407	180018.299	313299.217	PIN&CAP	18380
5409	179915.288	313283.894	5/8" PIN BENT	18380
5410	179911.633	313288.156	5/8" PIN	18380
5412	179979.137	313364.610	PIN&CAP	18380
5413	180002.075	313333.765	5/8" PIN BENT	18380
5414	180016.648	313305.147	PIN&CAP	18380
6242	180243.609	313227.248	PIN&CAP	18380
6243	179853.592	313746.597	PIN+ALCAP	18380
7207	180324.124	313287.573	PIN&CAP	18380



FILED
Date 2/11/21 By PB

This Survey Consists Of:
2 sheet(s) Map
0 page(s) Narrative

JACKSON COUNTY SURVEYOR

REGISTERED PROFESSIONAL LAND SURVEYOR
JAMES E. HIBBS
JULY 17, 1986
RENEWAL DATE 6-30-21