

SURVEY FOR: ALMEDA FIRE VICTIMS & COTA HOMES, LLC. PO BOX 1947 PHOENIX, OR 97535
DATE: JANUARY 14, 2021

SURVEY BY: L.J. FRIAR & ASSOCIATES, P.C. CONSULTING LAND SURVEYORS PO BOX 1947 PHOENIX, OR 97535 PHONE: (541) 772-2782 L.FRIAR@ASSOCIATES.CHARTER.NET

MAP OF SURVEY

MONUMENT RECOVERY & BOUNDARY SURVEY
Located in Section 23, T.38S, R.1W, W.M. & in
AUTUMN RIDGE SUBDIVISION & WILLOW SPRINGS ESTATES
in the City of Talent Jackson County, Oregon

- LEGEND:**
- = FD. MONUMENT AS NOTED IN MONUMENT TABLE.
 - ⊙ = FD. COPPER MONUMENT IN CURB PER FS22790.
 - ⊙ = FD. MAG NAIL & WASHER IN ASPHALT PER FS22790.
 - ⊙ = FD. BRASS IN CONCRETE. SEE FS22790.
 - ⊙ = FD. ALUMINUM CAP PER FS22790.
- WSE = WILLOW SPRINGS ESTATES (FS18296).
FS = FILED SURVEY #
< > = POINT NUMBER PER FS22790.

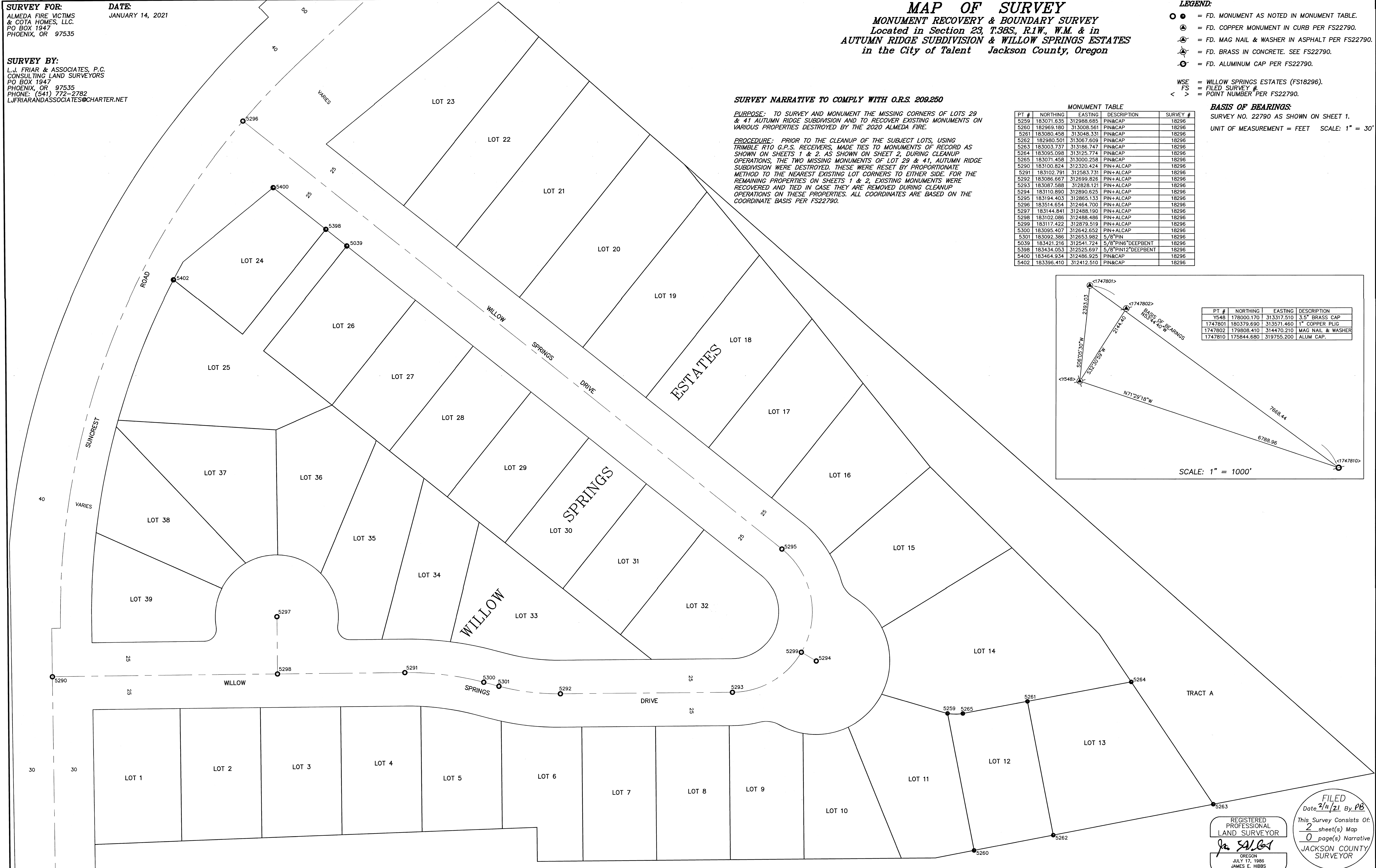
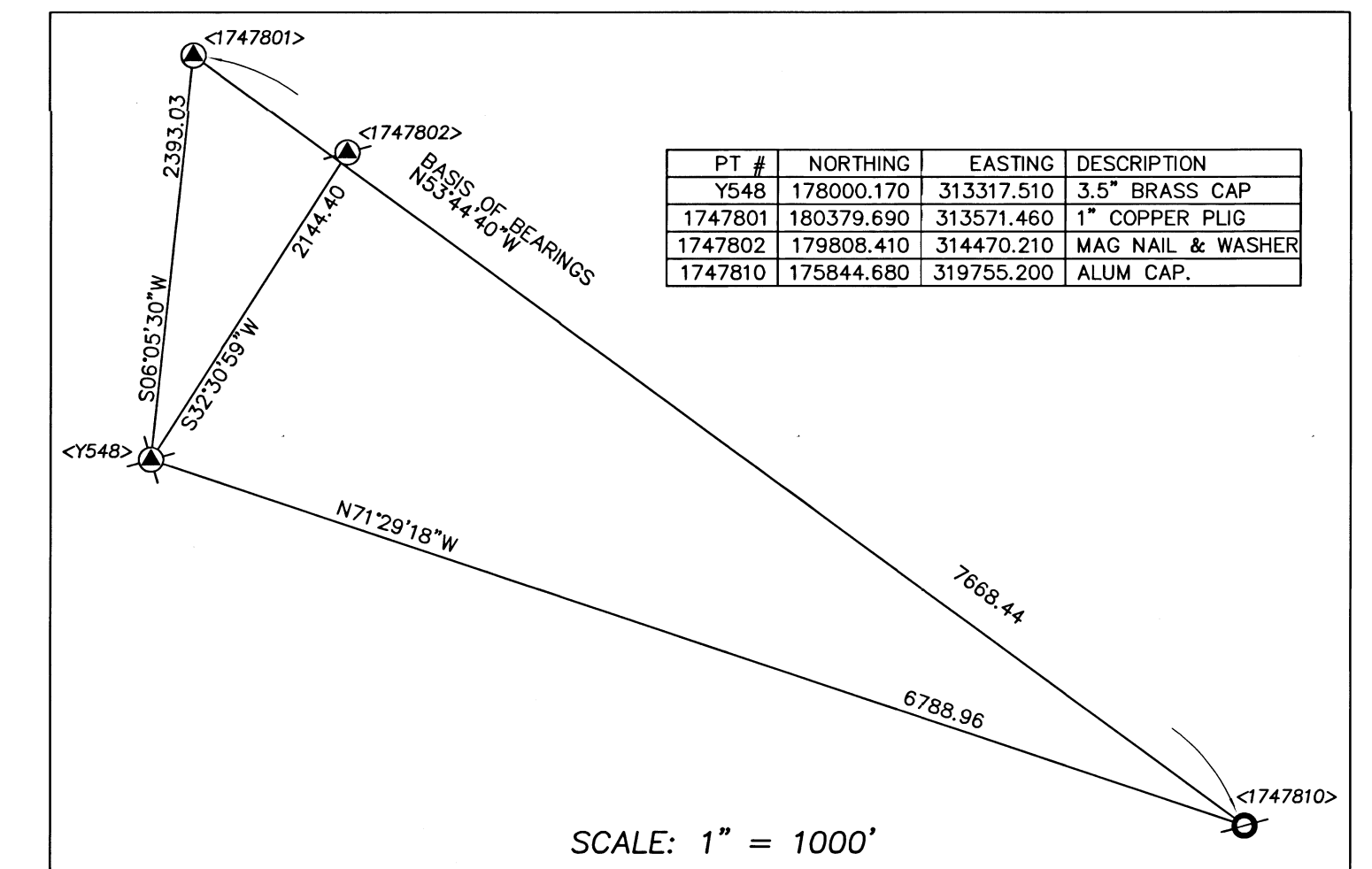
SURVEY NARRATIVE TO COMPLY WITH O.R.S. 209.250

PURPOSE: TO SURVEY AND MONUMENT THE MISSING CORNERS OF LOTS 29 & 41 AUTUMN RIDGE SUBDIVISION AND TO RECOVER EXISTING MONUMENTS ON VARIOUS PROPERTIES DESTROYED BY THE 2020 ALMEDA FIRE.

PROCEDURE: PRIOR TO THE CLEANUP OF THE SUBJECT LOTS, USING TRIMBLE R10 G.P.S. RECEIVERS, MADE TIES TO MONUMENTS OF RECORD AS SHOWN ON SHEETS 1 & 2. AS SHOWN ON SHEET 2, DURING CLEANUP OPERATIONS, THE TWO MISSING MONUMENTS OF LOT 29 & 41, AUTUMN RIDGE SUBDIVISION WERE DESTROYED. THESE WERE RESET BY PROPORTIONATE METHOD TO THE NEAREST EXISTING LOT CORNERS TO EITHER SIDE. FOR THE REMAINING PROPERTIES ON SHEETS 1 & 2, EXISTING MONUMENTS WERE RECOVERED AND TIED IN CASE THEY ARE REMOVED DURING CLEANUP OPERATIONS ON THESE PROPERTIES. ALL COORDINATES ARE BASED ON THE COORDINATE BASIS PER FS22790.

PT #	NORTHING	EASTING	DESCRIPTION	SURVEY #
5259	183071.635	312988.685	PIN&CAP	18296
5260	182969.180	313005.561	PIN&CAP	18296
5261	183080.458	313048.331	PIN&CAP	18296
5262	182980.501	313067.608	PIN&CAP	18296
5263	183003.737	313186.747	PIN&CAP	18296
5264	183095.098	313125.774	PIN&CAP	18296
5265	183071.458	313000.258	PIN&CAP	18296
5290	183100.824	312320.424	PIN+ALCAP	18296
5291	183102.781	312583.731	PIN+ALCAP	18296
5292	183086.667	312699.826	PIN+ALCAP	18296
5293	183087.588	312828.121	PIN+ALCAP	18296
5294	183110.890	312890.625	PIN+ALCAP	18296
5295	183194.403	312865.133	PIN+ALCAP	18296
5296	183514.654	312464.700	PIN+ALCAP	18296
5297	183144.841	312488.190	PIN+ALCAP	18296
5298	183102.086	312488.486	PIN+ALCAP	18296
5299	183117.422	312879.519	PIN+ALCAP	18296
5300	183095.407	312642.652	PIN+ALCAP	18296
5301	183092.386	312653.982	5/8" PIN	18296
5039	183421.216	312541.724	5/8" PIN 6" DEEP BENT	18296
5398	183434.053	312525.697	5/8" PIN 12" DEEP BENT	18296
5400	183464.934	312486.925	PIN&CAP	18296
5402	183396.410	312412.510	PIN&CAP	18296

BASIS OF BEARINGS:
SURVEY NO. 22790 AS SHOWN ON SHEET 1.
UNIT OF MEASUREMENT = FEET SCALE: 1" = 30'



REGISTERED PROFESSIONAL LAND SURVEYOR

 OREGON JULY 17, 1986 JAMES E. HIBBS 2234
 RENEWAL DATE 6-30-21

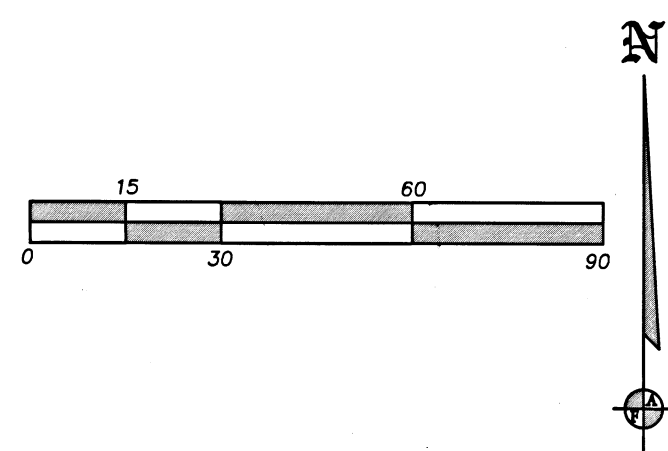
FILED
 Date 2/11/21 By PB
 This Survey Consists Of:
 2 sheet(s) Map
 0 page(s) Narrative
 JACKSON COUNTY SURVEYOR

SURVEY FOR:
ALMEDA FIRE VICTIMS
& COTA HOMES, LLC.
PO BOX 1947
PHOENIX, OR 97535

SURVEY BY:
L.J. FRIAR & ASSOCIATES, P.C.
CONSULTING LAND SURVEYORS
PO BOX 1947
PHOENIX, OR 97535
PHONE: (541) 772-2782
LJFRIARANDASSOCIATES@CHARTER.NET

DATE:
JANUARY 14, 2021

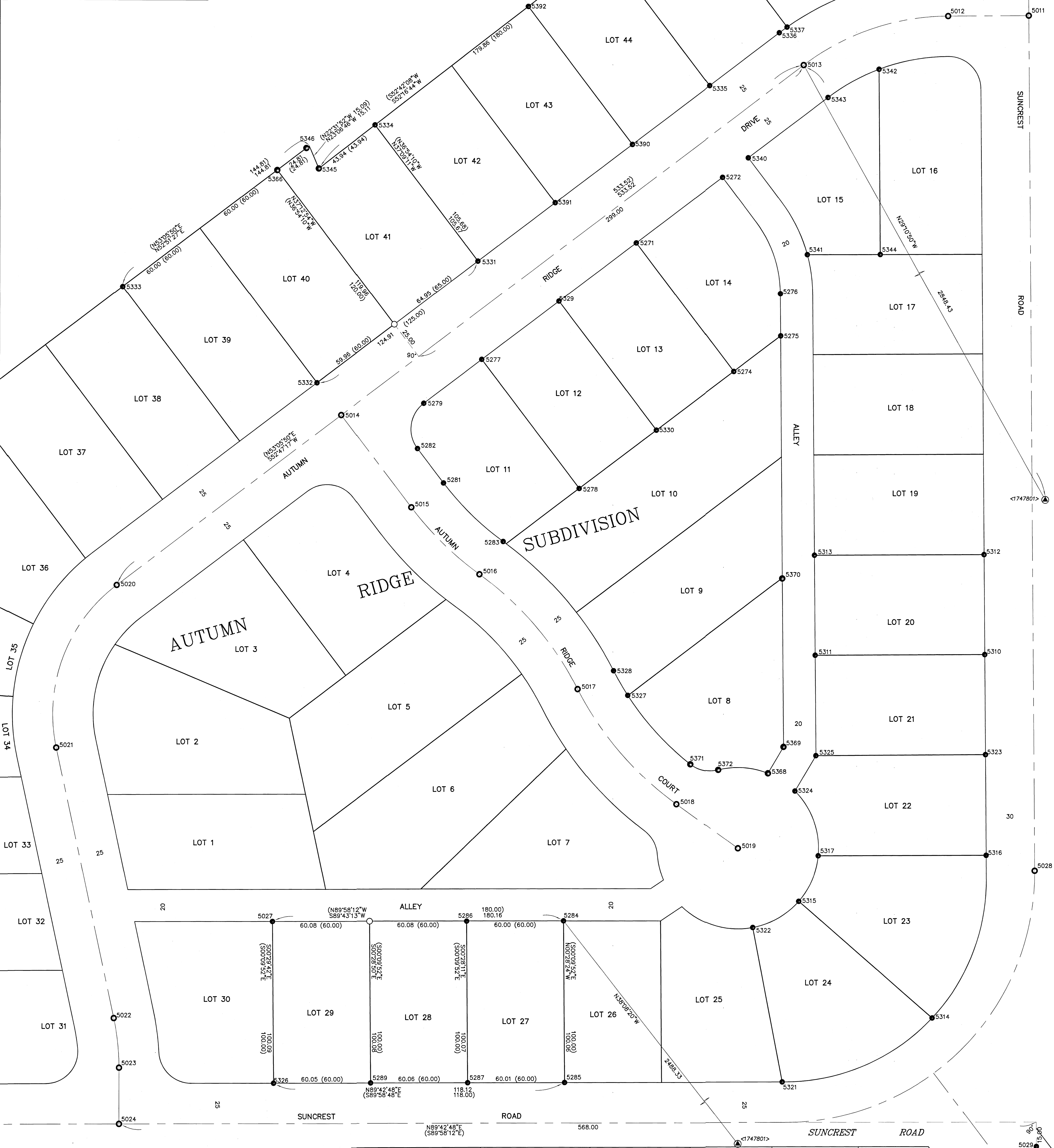
MAP OF SURVEY
MONUMENT RECOVERY & BOUNDARY SURVEY
Located in Section 23, T.38S, R.1W, W.M. & in
AUTUMN RIDGE SUBDIVISION & WILLOW SPRINGS ESTATES
in the City of Talent Jackson County, Oregon



MONUMENT TABLE									
PT #	NORTHING	EASTING	DESCRIPTION	SURVEY #	PT #	NORTHING	EASTING	DESCRIPTION	SURVEY #
5011	182897.588	312322.038	LS2349BCAPINCC	14794	5315	182349.212	312180.408	5/8" PIN BENT	14794
5012	182897.198	312272.108	LS2349BCAPINCC	14794	5316	182378.234	312297.508	5/8" PIN BENT	14794
5013	182866.619	312192.670	LS2349BCAPINCC	14794	5317	182377.530	312192.358	5/8" PIN	14794
5014	182649.560	311896.777	LS2349BCAPINCC	14794	5321	182237.239	312170.349	5/8" PIN	14794
5015	182592.435	311940.160	LS2349BCAPINCC	14794	5322	182332.845	312151.925	5/8" PIN	14794
5016	182551.209	311982.424	LS2349BCAPINCC	14794	5323	182440.481	312296.804	5/8" PIN	14794
5017	182480.414	312043.275	LS2349BCAPINCC	14794	5324	182417.457	312177.880	LEAD/TAG	14794
5018	182409.353	312104.516	LS2349BCAPINCC	14794	5325	182439.480	312190.835	5/8" PIN BENT	14794
5019	182382.022	312142.600	LS2349BCAPINCC	14794	5326	182335.965	311855.447	5/8" PIN	14794
5020	182543.980	311757.793	LS2349BCAPINCC	14794	5327	182476.618	312074.455	PIN&CAP	14794
5021	182443.441	311720.481	LS2349BCAPINCC	14794	5328	182491.834	312065.502	PIN&CAP	14794
5022	182275.786	311756.392	LS2349BCAPINCC	14794	5329	182270.316	312031.338	PIN&CAP	14794
5023	182245.098	311759.698	LS2349BCAPINCC	14794	5330	182641.502	312091.267	PIN&CAP	14794
5024	182210.359	311759.737	LS2349BCAPINCC	14794	5331	182745.014	311981.126	PIN&CAP	14794
5027	182335.919	311854.583	PIN&CAP	14794	5332	182669.399	311881.707	PIN&CAP	14794
5028	182368.761	312326.451	BCINCC	14794	5333	182728.781	311761.213	PIN&CAP	14794
5029	182198.201	312327.801	BCINCC-DLC2007	JCS	5334	182828.201	311917.334	PIN&CAP	14794
5271	182756.630	312079.158	5/8" PIN	14794	5335	182853.839	312124.487	PIN&CAP	14794
5272	182797.145	312132.493	5/8" PIN	14794	5336	182886.517	312167.558	5/8" PIN BENT	14794
5274	182676.937	312139.644	PIN&CAP	14794	5337	182890.047	312172.341	PIN&CAP	14794
5275	182699.097	312168.596	5/8" PIN	14794	5338	182975.981	312107.100	PIN&CAP	14794
5276	182725.080	312168.412	PIN&CAP	14794	5339	182939.068	312059.740	PIN&CAP	14794
5277	182684.071	311983.592	5/8" PIN	14794	5340	182809.231	312148.465	PIN&CAP	14794
5278	182604.504	312044.104	5/8" PIN	14794	5341	182749.474	312185.079	PIN&CAP	14794
5279	182656.943	311947.751	PIN&CAP	14794	5342	182864.116	312229.366	PIN&CAP	14794
5281	182607.540	311959.959	PIN&CAP	14794	5343	182846.594	312197.793	PIN&CAP	14794
5282	182628.781	311943.815	PIN&CAP	14794	5344	182749.714	312230.252	PIN&CAP BENT	14794
5283	182571.467	311997.082	PIN&CAP	14794	5345	182802.376	311892.396	5/8" PIN BENT	14794
5284	182336.678	312034.738	5/8" PIN	14794	5346	182815.979	311876.332	5/8" PIN IN CC	14794
5285	182236.886	312035.563	5/8" PIN BENT	14794	5366	182801.549	311856.631	PIN&CAP	14794
5286	182336.506	311974.737	PIN-CAP	14794	5368	182428.420	312161.172	5/8" PIN	14794
5287	182236.429	311975.557	5/8" PIN BENT	14794	5369	182444.899	312170.840	5/8" PIN	14794
5289	182236.095	311915.500	5/8" PIN BENT	14794	5370	182549.417	312169.927	PIN&CAP	14794
5290	183100.824	312320.424	PIN+ALCAP	18296	5371	182434.159	312113.097	PIN&CAP	14794
5310	182502.358	312293.338	5/8" PIN	14794	5372	182430.527	312130.348	PIN&CAP	14794
5311	182501.571	312190.331	PIN-CAP	14794	5390	182817.576	312076.652	PIN&CAP	14794
5312	182564.313	312294.854	PIN-CAP	14794	5391	182781.274	312028.925	PIN&CAP	14794
5313	182563.522	312189.805	5/8" PIN	14794	5392	182902.437	312012.295	PIN&CAP	14794
5314	182277.506	312263.076	PIN&CAP	14794					

LEGEND:

- = FD. MONUMENT AS NOTED IN MONUMENT TABLE.
- ⊙ = FD. COPPER MONUMENT IN CURB PER FS22790.
- ⊗ = FD. MAG NAIL & WASHER IN ASPHALT PER FS22790.
- ⊕ = FD. BRASS IN CONCRETE. SEE FS22790.
- ⊖ = FD. ALUMINUM CAP PER FS22790.
- = SET 5/8" X 24" IRON PIN & PLASTIC CAP MKD. L.J. FRIAR & ASSOC.
- ARS = AUTUMN RIDGE SUBDIVISION (FS14794).
- () = RECORD DATA PER ARS.
- FS = FILED SURVEY PER FS22790.
- < > = POINT NUMBER PER FS22790.
- JCS = JACKSON COUNTY SURVEYOR'S OFFICE.



BASIS OF BEARINGS:
SURVEY NO. 22790 AS SHOWN ON SHEET 1.
UNIT OF MEASUREMENT = FEET SCALE: 1" = 30'

REGISTERED PROFESSIONAL LAND SURVEYOR
J. Friar
OREGON JULY 17, 1986
JAMES E. HIBBS 2234
RENEWAL DATE 6-30-21

FILED
Date 2/11/21 By JB
This Survey Consists Of:
2 sheet(s) Map
0 page(s) Narrative
JACKSON COUNTY SURVEYOR