

**SURVEY FOR:**  
LEN GOTSCHALK  
1200 BUTLER CR. RD.  
ASHLAND, OR 97520

**SURVEY BY:**  
L.J. FRIAR & ASSOCIATES, P.C.  
CONSULTING LAND SURVEYORS  
PO BOX 1947  
PHOENIX, OR 97535  
PHONE: (541) 772-2782  
LJFRIARANDASSOCIATES@CHARTER.NET

**DATE:**  
JANUARY 6, 2021

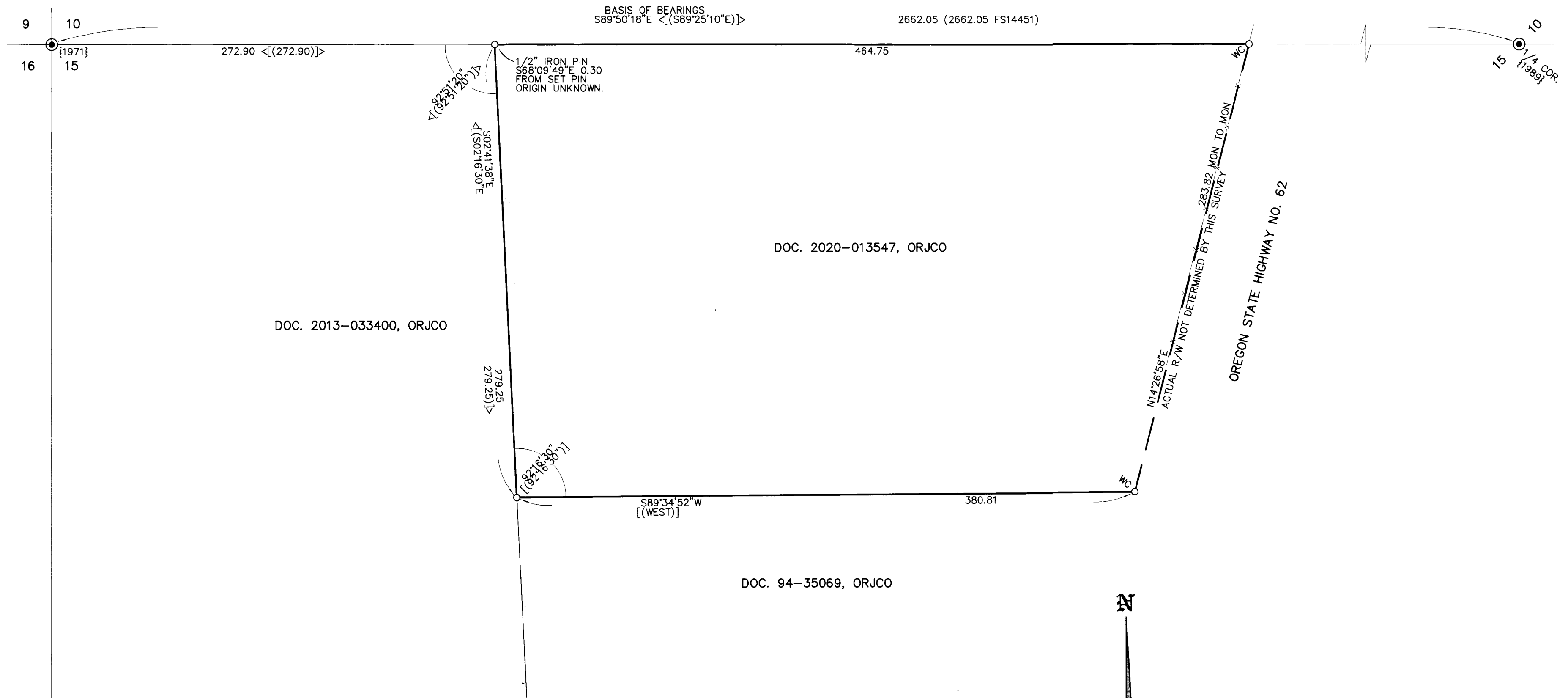
**MAP OF SURVEY**  
Located in the N.W. 1/4 of Sec. 15, T.35S., R.1W., W.M.  
Jackson County, Oregon

**LEGEND:**

- ⊙ = FD. COUNTY SURVEYOR'S BRASS CAPPED MONUMENT PER {YEAR} RE-ESTAB'S.
- = SET 5/8" X 30" IRON PIN & PLASTIC CAP MKD. L.J. FRIAR & ASSOC.
- ORJCO = OFFICIAL RECORDS OF JACKSON COUNTY, OREGON.
- WC = WITNESS CORNER MONUMENT.
- ( ) = RECORD DATA PER DOC. 2020-013547, ORJCO.
- FS = FILED SURVEY #.
- X- = FENCE LINE.
- [ ] = RECORD DATA PER DOC. 94-35069, ORJCO.
- < > = RECORD DATA PER DOC. 2013-033400, ORJCO.

**BASIS OF BEARINGS:**

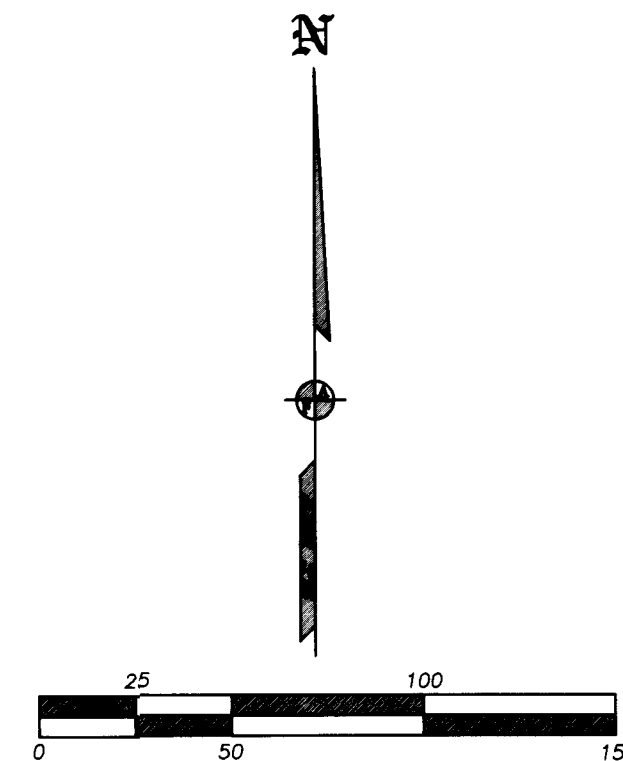
NORTH LINE SECTION 15 PER FS14451 AS SHOWN.



**SURVEY NARRATIVE TO COMPLY WITH O.R.S. 209.250**

**PURPOSE:** TO SURVEY AND MONUMENT THE CORNERS OF THAT TRACT SET FORTH IN DOC. 2020-013547, ORJCO.

**PROCEDURE:** USING TRIMBLE R10 G.P.S. RECEIVERS AND TRIMBLE S8 ROBOTIC TOTAL STATION, MADE TIES TO MONUMENTS OF RECORD AS SHOWN HEREON TO CONTROL THE SURVEY. HELD DEED RECORD DISTANCE PER DOC. 2013-033400 & 2014-004876, ORJCO TO POSITION THE N.W. CORNER. HELD DEED RECORD ANGLE AND DISTANCE DOC. 94-35069, 2013-033400 & 2014-004876, ORJCO FROM THE N.W. CORNER TO POSITION THE S.W. CORNER. HELD DEED RECORD ANGLE PER DOC. 94-35069 & 2014-004876, ORJCO TO CONTROL THE DIRECTION OF THE SOUTH LINE. THE NORTH LINE WAS CONTROLLED BY THE SECTION LINE MONUMENTS. SET WITNESS CORNERS ALONG THE NORTH & SOUTH LINES AS THE CLIENT WAS NOT INTERESTED IN THE ACTUAL N.E. & S.E. CORNER POSITIONS AS WELL AS SET MONUMENTS AT THE N.W. & S.W. CORNERS AS SHOWN HEREON.



REGISTERED PROFESSIONAL LAND SURVEYOR

JAMES E. HIBBS  
JULY 17, 1986  
2234  
RENEWAL DATE: 6-30-21

FILED  
Date 1/13/21 By DR  
This Survey Consists Of:  
1 sheet(s) Map  
0 page(s) Narrative  
JACKSON COUNTY SURVEYOR