

**SURVEY NARRATIVE TO COMPLY WITH PARAGRAPH 209.250
OREGON REVISED STATUTES**

PURPOSE: TO SURVEY AND MONUMENT LOT 7 OF BLOCK 16 IN THE TOWN OF PHOENIX. THE PROPERTY IS DESCRIBED IN DOCUMENT NO. 2017-043524, OFFICIAL RECORDS OF JACKSON COUNTY, OREGON.

PROCEDURE: I TIED EXISTING MONUMENTS AT THE INTERSECTIONS OF THE STREETS CONTROLLING THE RESURVEY OF THE BLOCK. THE ORIGIN OF THE MONUMENTS ON 4TH STREET ARE UNKNOWN. THEY WERE REFERRED TO AS 5/8" BAR CITY MON ON SURVEY NO. 2433. SURVEY NO. 3907, DONE BY VERLYN THOMAS, WAS THE FIRST TO SHOW A 2 1/4" X 3/4" BAR AT THE INTERSECTION OF 5TH AND PINE. SURVEYS NO. 9251, 9930 & 14411 ALSO USE THIS MONUMENT FOR CONTROL.

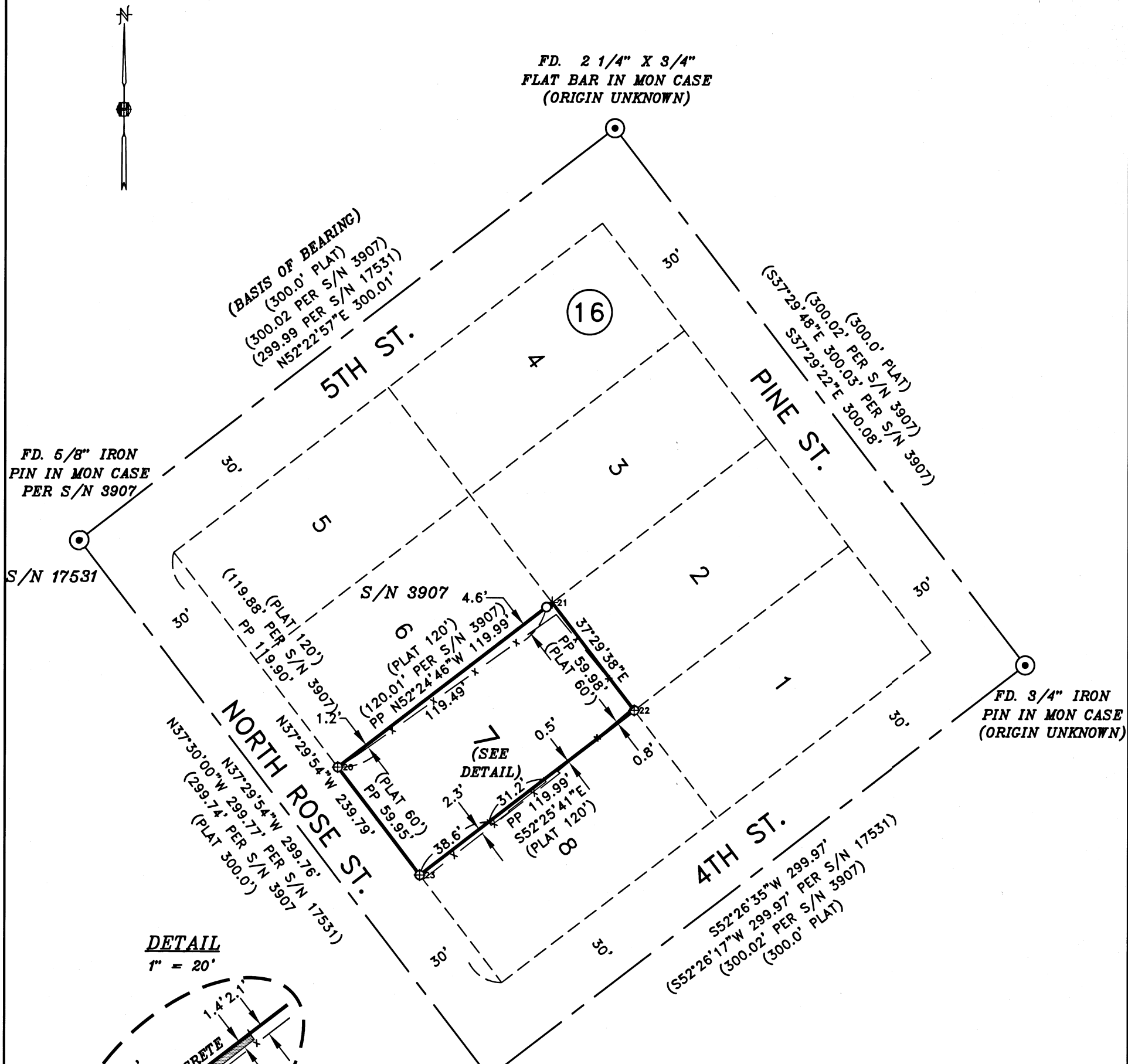
MAP OF SURVEY

Located in:

Lot 7, Block 16 of the Town of Phoenix
in the Southeast 1/4 of Section 9 (09dd),
Township 38 South, Range 1 West, W.M.,
City of Phoenix, Jackson County, Oregon
TL 11800

For:

Lindsay Gollihar
408 North Rose St.
Phoenix, Oregon 97535



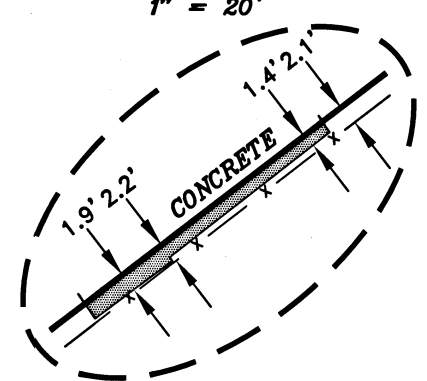
FD. 5/8" IRON
PIN IN MON CASE
PER S/N 3907

FD. 2 1/4" X 3/4"
FLAT BAR IN MON CASE
(ORIGIN UNKNOWN)

FD. 3/4" IRON
PIN IN MON CASE
(ORIGIN UNKNOWN)

FD. 5/8" IRON
PIN IN MON CASE
(ORIGIN UNKNOWN)

DETAIL
1" = 20'



HOFFBUHR & ASSOCIATES, INC.
880 GOLF VIEW DR. STE. 201 MEDFORD, OREGON
(541) 779-4641

BY: DAVID M. MINNECI RPLS NO. 2349
SCALE: 1 INCH = 50' AUGUST 7, 2020
BASIS OF BEARING: SURVEY NUMBER 17531
(CENTERLINE 5TH STREET)

- = SET 5/8" x 24" IRON PIN WITH PLASTIC CAP STAMPED "D. MINNECI LS 2349".
- ⊙ = SET LEAD PLUG AND TACK WITH METAL WASHER STAMPED "LS 2349" IN CONCRETE FOOTING OF FENCE POST.
- ⊗ = FOUND 5/8" IRON PIN WITH PLASTIC CAP STAMPED "LS 2339" PER S/N 13774.
- ⊙ = FOUND IN MONUMENT CASE AS NOTED
- PP = PROPORTIONED BEARING/DISTANCE
- W.M. = WITNESS MONUMENT
- x - = WOOD OR CHAINLINK FENCE

REGISTERED
PROFESSIONAL
LAND SURVEYOR

David M. Minnecci

OREGON
JULY 26, 1988
DAVID M. MINNECI
2349

EXPIRES 12/31/20

****RECEIVED****
Date 8/27/20 By DM
This survey consists of:
— sheet(s) Map
2 pages(s) Narrative
JACKSON COUNTY
SURVEYOR