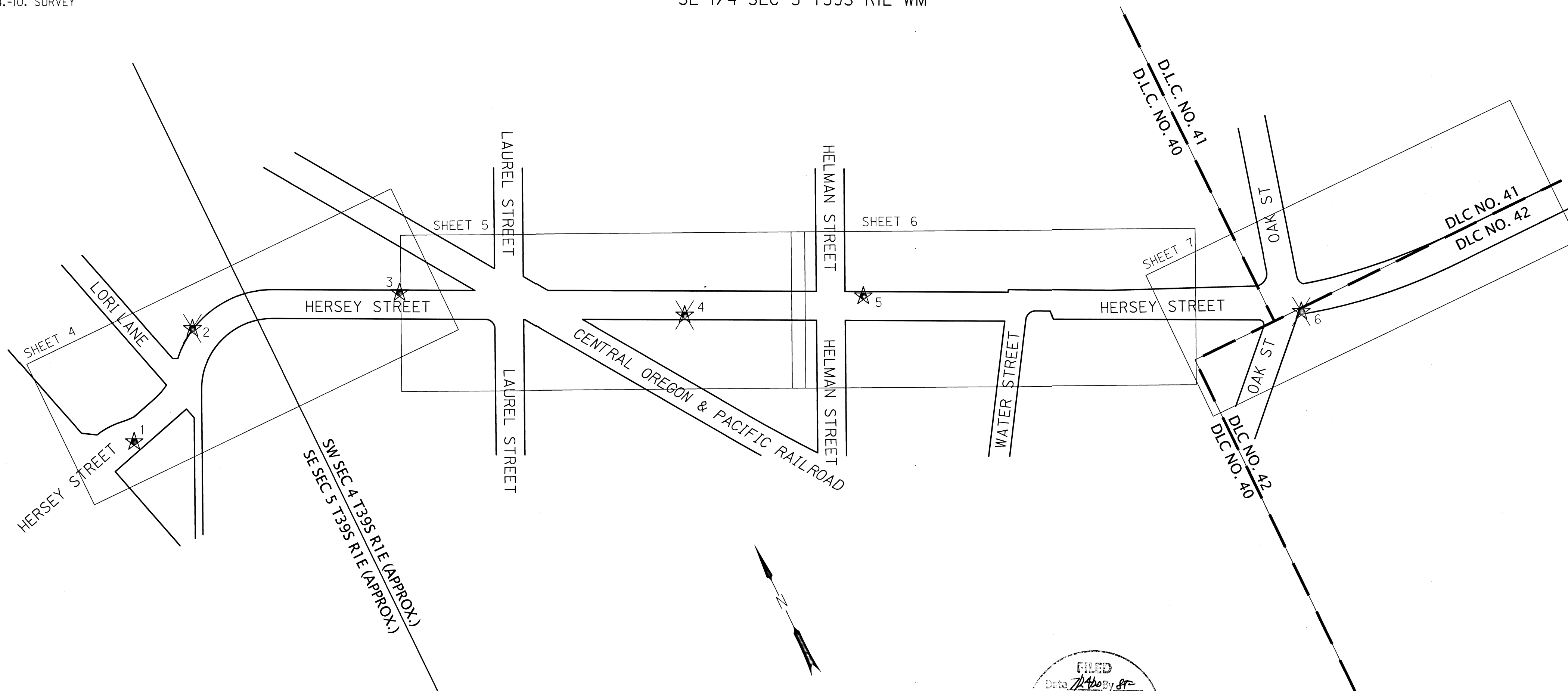


SHEET INDEX

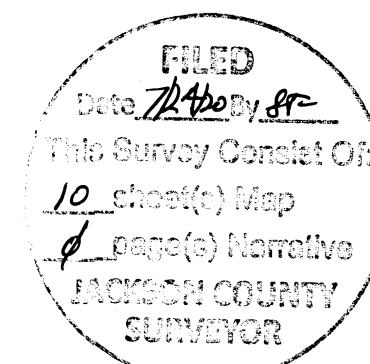
- 1.-2. SHEET LAYOUT DIAGRAM, SHEET INDEX AND CONTROL NETWORK
- 3. CONTROL NARRATIVE AND NARRATIVE
- 4.-10. SURVEY

SW 1/4 SEC 4 T39S R1E WM  
 SE 1/4 SEC 4 T39S R1E WM  
 SE 1/4 SEC 5 T39S R1E WM



SHEET LAYOUT DIAGRAM AND CONTROL NETWORK  
 NOT TO SCALE

LEGEND	
	FOUND GPS STATION
	DESTROYED GPS STATION



NETWORK POINT COORDINATE TABLE

\* = DESTROYED DURING CONSTRUCTION

PT ID	OCRS NORTHING	OCRS EASTING	DATE	DESCRIPTION
1	165940.40	330413.15	9/23/15	SET 1" BRASS PLUG STAMPED "OBEC"
2*	166100.47	330625.11	9/23/15	SET 5/8" IR W/OPC STAMPED "OBEC"
3	165980.24	331048.59	9/23/15	SET 1" BRASS PLUG STAMPED "OBEC"
4*	165679.60	331565.74	9/23/15	SET 1" BRASS PLUG STAMPED "OBEC"
5	165553.41	331920.23	9/23/15	SET 1" BRASS PLUG STAMPED "OBEC"
6*	165126.88	332732.01	9/23/15	SET 1" BRASS PLUG STAMPED "OBEC"

ASSESSOR'S MAP NO'S. 39 1E 04CD, 39 1E 04CDD2, 39 1E 04DD & 39 1E 04DD1

REGISTERED PROFESSIONAL LAND SURVEYOR

*Andrew Joseph Silbernagel*  
 OREGON  
 MAY 12, 2011  
 ANDREW JOSEPH SILBERNAGEL  
 #79198

RENEWS: JUNE 30, 2022  
 SIGNED: 07/01/2020

A. SILBERNAGEL DOWL  
 APPROVED BY: SURVEY MANAGER

FILE NAME: 0649-0029\_mon.dgn

920 COUNTRY CLUB ROAD, SUITE 100B  
 EUGENE, OREGON 97401  
 541-683-6090

**DOWL**

CITY OF ASHLAND  
 HERSEY STREET RECONSTRUCTION

MONUMENTATION SURVEY  
 HERSEY STREET, JACKSON COUNTY

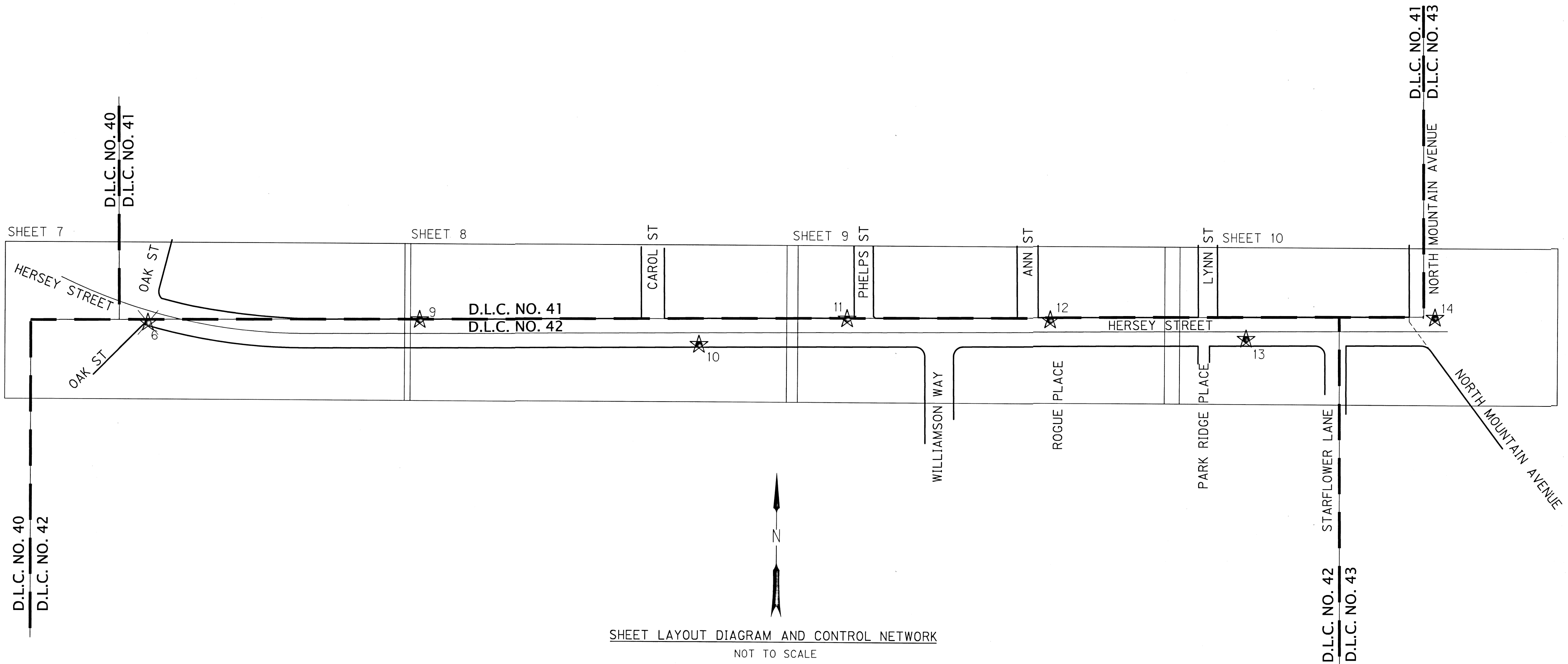
CITY OF ASHLAND  
 20 EAST MAIN STREET  
 ASHLAND, OREGON 97520

JUNE 02, 2020  
 NO SCALE  
 SHEET 1 OF 10

DESIGNED: N. WARDELL  
 DRAWN: S. GURLEY  
 CHK'D: J. COLTON

PROJ. NO. 0649-0029.50

SW 1/4 SEC 4 T39S R1E WM  
SE 1/4 SEC 4 T39S R1E WM



SHEET LAYOUT DIAGRAM AND CONTROL NETWORK  
NOT TO SCALE

LEGEND	
	FOUND GPS STATION
	DESTROYED GPS STATION

NETWORK POINT COORDINATE TABLE

\* = DESTROYED DURING CONSTRUCTION

PT ID	OCRS NORTHING	OCRS EASTING	DATE	DESCRIPTION
6*	165126.88	332732.01	4/05/18	SET 1" BRASS PLUG STAMPED "OBEC"
9	165135.90	333299.15	4/05/18	SET 1" BRASS PLUG STAMPED "OBEC"
10	165086.73	333881.50	3/26/18	SET 1" BRASS PLUG STAMPED "OBEC"
11	165141.83	334190.37	3/26/18	SET 1" BRASS PLUG STAMPED "OBEC"
12	165140.76	334613.88	3/26/18	SET 1" BRASS PLUG STAMPED "OBEC"
13	165103.09	335022.53	4/25/18	SET 1" BRASS PLUG STAMPED "OBEC"
14	165149.18	335416.42	4/25/18	SET 1" BRASS PLUG STAMPED "OBEC"

ASSESSOR'S MAP NO'S. 39 1E 04CD, 39 1E 04CDD2, 39 1E 04DD & 39 1E 04DD1

FILE NAME: 0649-0029\_mon.dgn



920 COUNTRY CLUB ROAD, SUITE 100B  
EUGENE, OREGON 97401  
541-683-6090

CITY OF ASHLAND  
HERSEY STREET RECONSTRUCTION

MONUMENTATION SURVEY  
HERSEY STREET, JACKSON COUNTY

CITY OF ASHLAND  
20 EAST MAIN STREET  
ASHLAND, OREGON 97520

JUNE 02, 2020  
NO SCALE  
SHEET 2 OF 10

REGISTERED  
PROFESSIONAL  
LAND SURVEYOR

*Andrew J. Silbernagel*  
OREGON  
MAY 12, 2011  
ANDREW JOSEPH SILBERNAGEL  
#79198

RENEWS: JUNE 30, 2022  
SIGNED: *07/01/2020*

A. SILBERNAGEL DOWL  
APPROVED BY: DIVISION MANAGER

DESIGNED: N. WARDELL

DRAWN: S. GURLEY

CHK'D: J. COLTON

PROJ. NO. 0649-0029.50

SW 1/4 SEC 4 T39S R1E WM  
 SE 1/4 SEC 4 T39S R1E WM  
 SE 1/4 SEC 5 T39S R1E WM

CONTROL NARRATIVE

SURVEY DATUM:  
 HORIZONTAL: NAD83 (2011) (EPOCH 2010.00)  
 VERTICAL: NAVD 88

OREGON COORDINATE REFERENCE SYSTEM:  
 GRANTS PASS-ASHLAND ZONE  
 TRANSVERSE MERCATOR PROJECTION  
 LATITUDE OF GRID ORIGIN: 41°45'00"N  
 CENTRAL MERIDIAN: 123°20'00"W  
 FALSE NORTHING: 0.000 M  
 FALSE EASTING: 50,000.000 M  
 CENTRAL MERIDIAN SCALE: 1.000043 (EXACT)

GPS HORIZONTAL CONTROL SURVEY

PRIMARY HORIZONTAL CONTROL WAS PRVIOUSLY ESTABLISHED IN JACKSON COUNTY SURVEY NUMBERS 21937 AND 22691.

BASIS OF BEARINGS:

THE BASIS OF BEARINGS WAS ESTABLISHED BY HOLDING THE GPS DERIVED OREGON COORDINATE REFERENCE SYSTEM GRANTS PASS-ASHLAND ZONE POSITIONS FOR POINT #1 AND POINT #14, WHICH RESULTED IN A BEARING OF S81°00'49"E AND A DISTANCE OF 5,065.45 FEET.

COORDINATES AND DISTANCES SHOWN HEREON ARE INTERNATIONAL FEET.

NARRATIVE

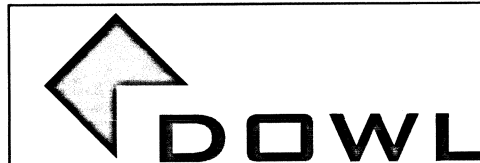
THE PURPOSE OF THIS SURVEY WAS TO RE-MONUMENT THOSE MONUMENTS THAT WERE DESTROYED DURING THE CONSTRUCTION OF IMPROVEMENTS ALONG HERSEY STREET. THIS SURVEY WAS MADE AT THE REQUEST OF THE CITY OF ASHLAND.

THIS SURVEY IS BASED UPON PREVIOUSLY RECORDED HORIZONTAL CONTROL, RETRACEMENT AND MONUMENT RECOVERY SURVEYS FILED BY OBEC AS COUNTY SURVEY NUMBERS 21937 AND 22691. IN CONFORMANCE WITH O.R.S. 209.155. CONSTRUCTION OF THIS PROJECT WAS COMPLETED IN THE SPRING OF 2020 AND THE MONUMENTS FROM THE ORIGINAL HORIZONTAL CONTROL, RETRACEMENT SURVEYS, AS SHOWN HEREON, (1000, 1001, 1007, 1011, 1016, 1017, 1022, 1025, 1026, 1027, 1032, 1034, 1038, 1039, 1041, 1042, 1051, 1054, 1055, 1057, 1059, 1062) WERE DESTROYED DURING CONSTRUCTION WERE RE-MONUMENTED ON MARCH 4-5 AND APRIL 8, 2020. THE JACKSON COUNTY SURVEYOR RE-MONUMENTED THE SOUTHEAST CORNER OF THE LEWIS LOVE DONATION LAND CLAIM NUMBER 41, TOWNSHIP 39 SOUTH, RANGE 1 EAST, WILLAMETTE MERIDIAN IN MARCH OF 2020 AND WE RE-TIED THAT MONUMENT ON APRIL 8, 2020.

THIS SURVEY WAS PERFORMED IN INTERNATIONAL FEET.

THE SURVEY EQUIPMMENT USED FOR THIS MONUMENTATION SURVEY CONSISTED OF ONE TRIMBLE S6 TOTAL STATION AND ONE TRIMBLE TSC3 DATA COLLECTOR.

FILE NAME: 0649-0029\_mon.dgn



920 COUNTRY CLUB ROAD, SUITE 100B  
 EUGENE, OREGON 97401  
 541-683-6090

CITY OF ASHLAND  
 HERSEY STREET RECONSTRUCTION

MONUMENTATION SURVEY  
 HERSEY STREET, JACKSON COUNTY

CITY OF ASHLAND  
 20 EAST MAIN STREET  
 ASHLAND, OREGON 97520

JUNE 02, 2020  
 NO SCALE  
 SHEET 3 OF 10

REGISTERED  
 PROFESSIONAL  
 LAND SURVEYOR

*Andrew J. Silbernagel*  
 OREGON  
 MAY 12, 2011  
 ANDREW JOSEPH SILBERNAGEL  
 #79198

RENEWS: JUNE 30, 2022  
 SIGNED: 07/01/2020

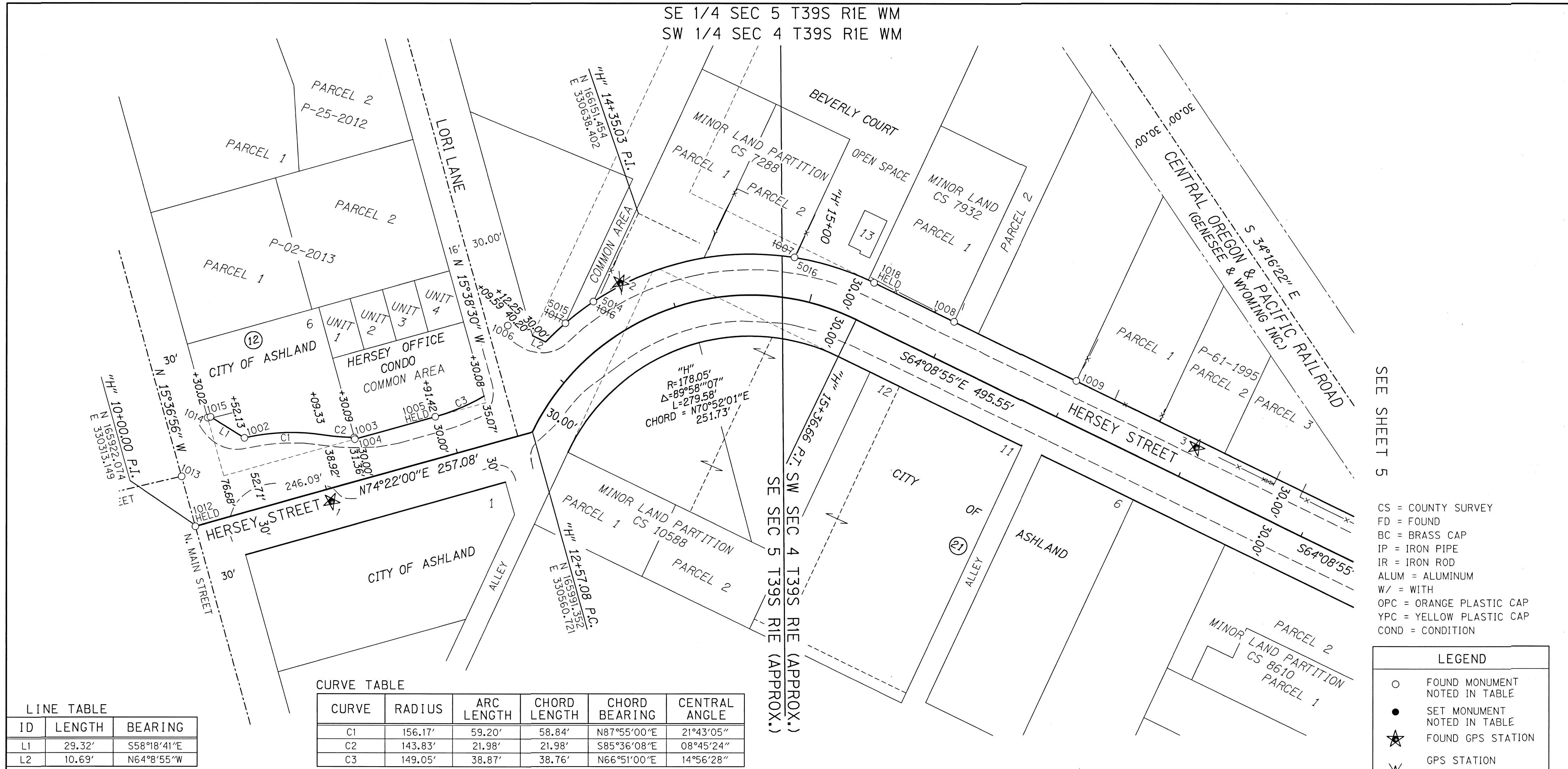
DESIGNED: N. WARDELL

DRAWN: S. GURLEY

CHK'D: J. COLTON

PROJ. NO. 0649-0029.50

SE 1/4 SEC 5 T39S R1E WM  
SW 1/4 SEC 4 T39S R1E WM



CURVE TABLE

CURVE	RADIUS	ARC LENGTH	CHORD LENGTH	CHORD BEARING	CENTRAL ANGLE
C1	156.17'	59.20'	58.84'	N87°55'00"E	21°43'05"
C2	143.83'	21.98'	21.98'	S85°36'08"E	08°45'24"
C3	149.05'	38.87'	38.76'	N66°51'00"E	14°56'28"

LINE TABLE

ID	LENGTH	BEARING
L1	29.32'	S58°18'41"E
L2	10.69'	N64°8'55"W

SET MONUMENT LIST

PT ID	OCRS NORTHING	OCRS EASTING	STATION	OFFSET	DATE	DESCRIPTION
5014	166086.81	330605.42	"H" 13+51.61	30.11' LT	3/04/20	5/8" IR W/YPC MARKED "DOWL", FLUSH. REPLACED POINT NO. 1016
5015	166071.01	330584.84	"H" 13+29.41	30.01' LT	3/04/20	5/8" IR W/YPC MARKED "DOWL", FLUSH. REPLACED POINT NO. 1017
5016	166119.30	330753.16	"H" 14+84.02	30.13' LT	3/04/20	1" BRASS PLUG MARKED "DOWL", FLUSH. REPLACED POINT NO. 1007

FOUND MONUMENT LIST

PT ID	OCRS NORTHING	OCRS EASTING	STATION	OFFSET	DATE	DESCRIPTION & REFERENCE DOCUMENTS
1002	165986.91	330349.16	"H" 10+52.15	52.73' LT	11/6/15	5/8" IR W/OPC MARKED "KAMPMAN PLS 2883", FLUSH, PER CS 21211
1003	165987.23	330429.85	"H" 11+29.94	31.30' LT	11/6/15	5/8" IR W/OPC, "KAMPMAN PLS 2883", UP 0.1', PER CS 21211
1004	165986.03	330430.34	"H" 11+30.09	30.02' LT	11/6/15	5/8" IR W/YPC, "THOMAS 505", DOWN 0.2', PER CS 8843
1005	166002.55	330489.40	"H" 11+91.42	30.00' LT	11/6/15	5/8" IR, FLUSH WITH PAVEMENT, PER CS 8843
1006	166069.48	330542.64	"H" 13+04.56	58.74' LT	11/6/15	COPPER PLUG MARKED "LS 2057", FLUSH WITH CURB, ORIGIN UNKNOWN
1007*	166119.30	330753.16	"H" 14+84.02	30.13' LT	11/6/2015	COPPER PLUG MARKED "LS 2234", FLUSH WITH CONCRETE, PER CS 15687
1008	166072.48	330870.49	"H" 16+02.01	30.13' LT	11/6/2015	5/8" IR W/YPC MARKED "E.L. SWAIN PLS 759", DOWN 0.5', PER CS 7932
1009	166028.96	330960.31	"H" 17+01.82	30.13' LT	11/6/2015	5/8" IR W/YPC MARKED "LJ FRIAR & ASSOC.", DOWN 1.0', PER CS 14631
1012	165922.07	330313.15	"H" 10+00.00	0.00'	11/13/2015	3/4" IP CL MAIN/HERSEY, DOWN 0.6', PER CITY OF ASHLAND
1013	165958.63	330302.98	"H" 10+00.06	37.94' LT	11/13/2015	3/4" IP, DOWN 0.6', PER CITY OF ASHLAND
1014	166001.66	330322.05	"H" 10+30.02	74.25' LT	11/13/2015	TACK & BRASS TAG, FLUSH WITH SIDEWALK, PER CS 21211
1015	166002.26	330324.18	"H" 10+32.23	74.25' LT	11/13/2015	5/8" IR W/OPC MARKED "KAMPMAN PLS 2883", FLUSH, PER CS 21211
1016*	166086.81	330605.42	"H" 13+51.61	30.11' LT	11/13/2015	5/8" IR W/YPC, (UNREADABLE), DOWN 0.5', PER CS 4704
1017*	166071.02	330584.84	"H" 13+29.41	30.01' LT	11/13/2015	5/8" IR W/YPC, (UNREADABLE), DOWN 0.7', PER CS 4704
1018	166100.86	330811.63	"H" 15+36.66	30.00' LT	11/13/2015	5/8" IR, DOWN 0.3', PER CS 4708

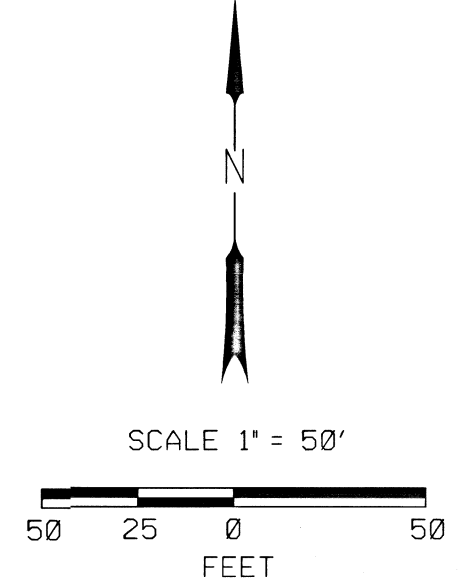
\* = DESTROYED DURING CONSTRUCTION

SEE SHEET 5

- CS = COUNTY SURVEY
- FD = FOUND
- BC = BRASS CAP
- IP = IRON PIPE
- IR = IRON ROD
- ALUM = ALUMINUM
- W/ = WITH
- OPC = ORANGE PLASTIC CAP
- YPC = YELLOW PLASTIC CAP
- COND = CONDITION

LEGEND	
○	FOUND MONUMENT NOTED IN TABLE
●	SET MONUMENT NOTED IN TABLE
★	FOUND GPS STATION
★	GPS STATION DESTROYED DURING CONSTRUCTION
—	RIGHT-OF-WAY
—	PROPERTY LINE
- -	EASEMENT

FILE NAME: 0649-0029\_mon.dgn



920 COUNTRY CLUB ROAD, SUITE 100B  
EUGENE, OREGON 97401  
541-683-6090

**DOWL**

CITY OF ASHLAND  
HERSEY STREET RECONSTRUCTION

MONUMENTATION SURVEY  
HERSEY STREET, JACKSON COUNTY

CITY OF ASHLAND  
20 EAST MAIN STREET  
ASHLAND, OREGON 97520

JUNE 02, 2020  
1" = 50'  
SHEET 4 OF 10

DESIGNED: N. WARDELL

PROJ. NO. 0649-0029.50

DRAWN: S. GURLEY

CHK'D: J. COLTON

REGISTERED PROFESSIONAL LAND SURVEYOR

*Andrew J. Silbernagel*

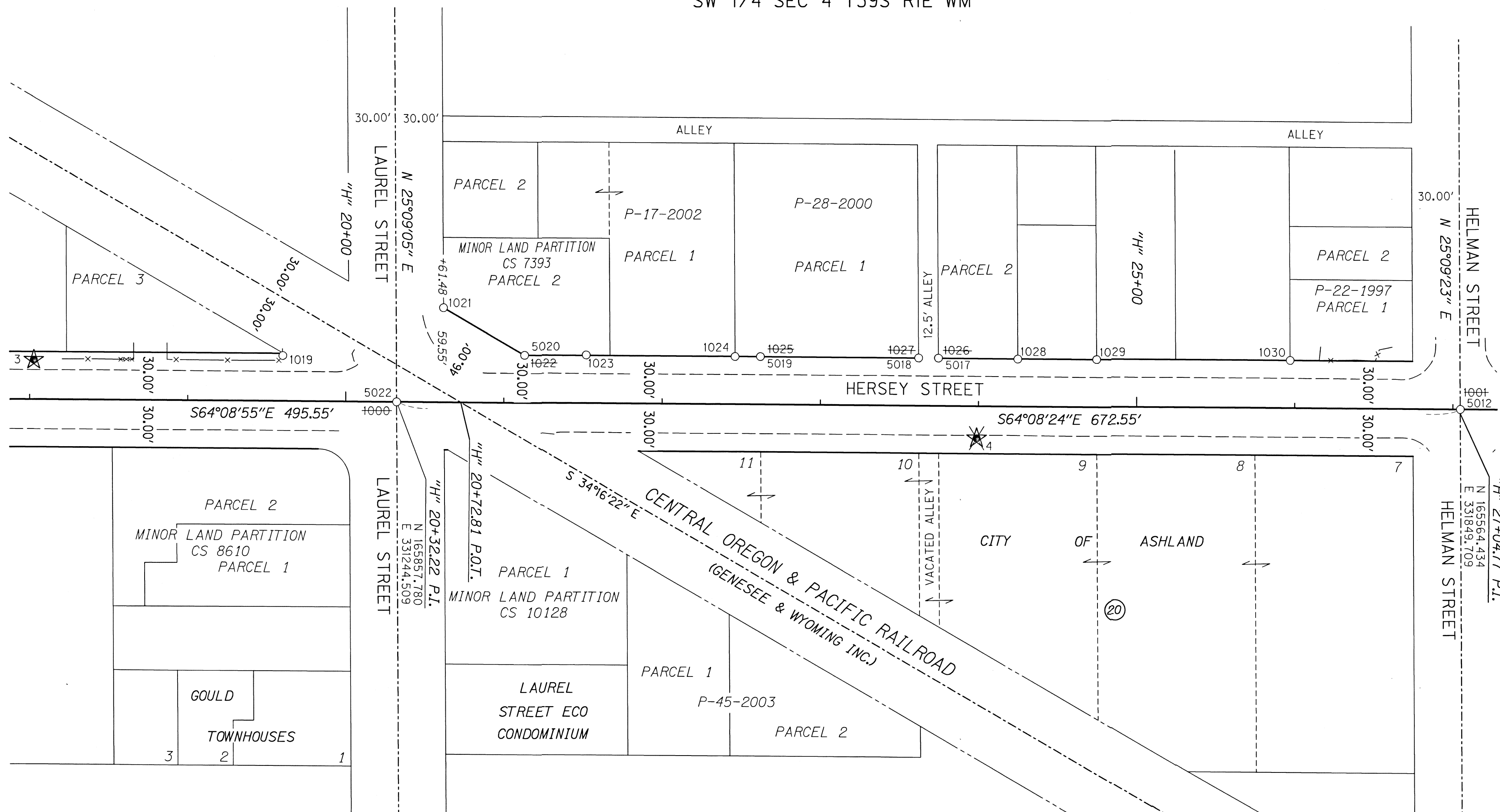
OREGON  
MAY 12, 2011  
ANDREW JOSEPH SILBERNAGEL  
#79198

RENEWS: JUNE 30, 2022  
SIGNED: 07/01/2020

SW 1/4 SEC 4 T39S RIE WM

SEE SHEET 4

SEE SHEET 6



- CS = COUNTY SURVEY
- FD = FOUND
- BC = BRASS CAP
- IP = IRON PIPE
- IR = IRON ROD
- ALUM = ALUMINUM
- W/ = WITH
- OPC = ORANGE PLASTIC CAP
- YPC = YELLOW PLASTIC CAP
- COND = CONDITION

LEGEND	
○	FOUND MONUMENT NOTED IN TABLE
●	SET MONUMENT NOTED IN TABLE
★	FOUND GPS STATION
✱	GPS STATION DESTROYED DURING CONSTRUCTION
—	RIGHT-OF-WAY
—	PROPERTY LINE
- - -	EASEMENT

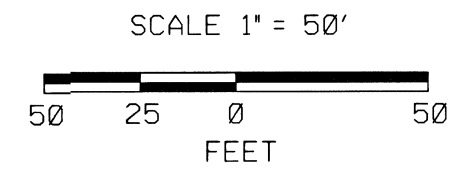
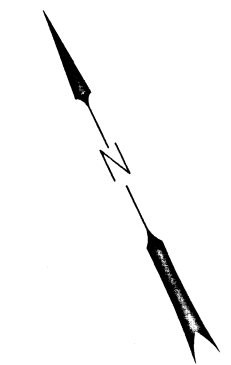
SET MONUMENT LIST

PT ID	OCRS NORTHING	OCRS EASTING	STATION	OFFSET	DATE	DESCRIPTION
5012	165564.43	331849.71	"H" 27+04.76	0'	3/04/20	2.5" BRASS CAP "CITY OF ASHLAND SURVEY MARKER PLS 79198", REPLACED POINT NO. 1001
5017	165735.56	331565.62	"H" 23+74.48	30.08' LT	3/05/20	5/8" IR W/YPC MARKED "DOWL", FLUSH. REPLACED POINT NO. 1026
5018	165741.01	331554.38	"H" 23+61.99	30.08' LT	3/05/20	5/8" IR W/YPC MARKED "DOWL", FLUSH. REPLACED POINT NO. 1027
5019	165784.65	331464.33	"H" 22+61.92	30.07' LT	3/05/20	5/8" IR W/YPC MARKED "DOWL", FLUSH. REPLACED POINT NO. 1025
5020	165849.56	331330.27	"H" 21+12.97	30.01' LT	3/05/20	5/8" IR W/YPC MARKED "DOWL", FLUSH. REPLACED POINT NO. 1022
5022	165857.78	331244.51	"H" 20+32.22	0'	3/05/20	2.5" BRASS CAP "CITY OF ASHLAND SURVEY MARKER PLS 79198" IN MONUMENT WELL. REPLACED POINT NO. 1000

FOUND MONUMENT LIST

\* = DESTROYED DURING CONSTRUCTION

PT ID	OCRS NORTHING	OCRS EASTING	STATION	OFFSET	DATE	DESCRIPTION & REFERENCE DOCUMENTS
1000*	165857.78	331244.51	"H" 20+32.22	0'	10/2/2015	3" BRASS DISK IN MON BOX, DOWN 0.4', PER CITY OF ASHLAND
1001*	165564.43	331849.71	"H" 27+04.76	0'	10/2/2015	3" BRASS DISK IN MON BOX, DOWN 0.4', PER CITY OF ASHLAND
1019	165914.98	331191.97	"H" 19+60.00	28.57' LT	11/13/2015	5/8" IR W/YPC, SMASHED OVER TOP, DOWN 0.3', PER CS 14631
1021	165898.67	331296.83	"H" 20+61.47	59.62' LT	11/13/2015	5/8" IR W/YPC, (BROKEN CAP), DOWN 0.2', PER CS 7393
1022*	165849.56	331330.27	"H" 21+12.97	30.01' LT	11/13/2015	5/8" IR, DOWN 0.3', PER CS 7393
1023	165832.87	331365.29	"H" 21+51.77	30.27' LT	11/13/2015	5/8" IR W/YPC MARKED "L.J. FRIAR & ASSOC.", FLUSH, ORIGIN UNKNOWN
1024	165791.53	331449.88	"H" 22+45.92	29.96' LT	11/13/2015	5/8" IR, DOWN 0.1', PER CS 7393
1025*	165784.65	331464.33	"H" 22+61.92	30.07' LT	11/13/2015	5/8" IR, W/YPC MARKED "L.J. FRIAR & ASSOC.", FLUSH, PER CS 17237
1026*	165735.56	331565.62	"H" 23+74.48	30.08' LT	11/13/2015	5/8" IR, W/YPC MARKED "L.J. FRIAR & ASSOC.", FLUSH, PER CS 16507
1027*	165741.01	331554.38	"H" 23+61.99	30.08' LT	11/13/2015	5/8" IR, W/YPC MARKED "L.J. FRIAR & ASSOC.", FLUSH, PER CS 16507
1028	165713.46	331610.74	"H" 24+24.72	29.88' LT	11/13/2015	3/4" IP, DOWN 0.4', PER CS 8040
1029	165691.85	331655.62	"H" 24+74.54	30.00' LT	11/13/2015	5/8" IR W/YPC MARKED "L.J. FRIAR & ASSOC.", DOWN 0.1', PER CS 16524
1030	165638.47	331765.77	"H" 25+96.94	30.02' LT	11/13/2015	5/8" IR W/YPC MARKED "STEWART LS 2057", FLUSH PER CS 15314



REGISTERED PROFESSIONAL LAND SURVEYOR  
*Andrew J. Silbernagel*  
 OREGON  
 MAY 12, 2011  
 ANDREW JOSEPH SILBERNAGEL  
 #79198  
 RENEWS: JUNE 30, 2022  
 SIGNED: 27/01/2020

FILE NAME: 0649-0029\_mon.dgn

920 COUNTRY CLUB ROAD, SUITE 100B  
 EUGENE, OREGON 97401  
 541-683-6090

**DOWL**

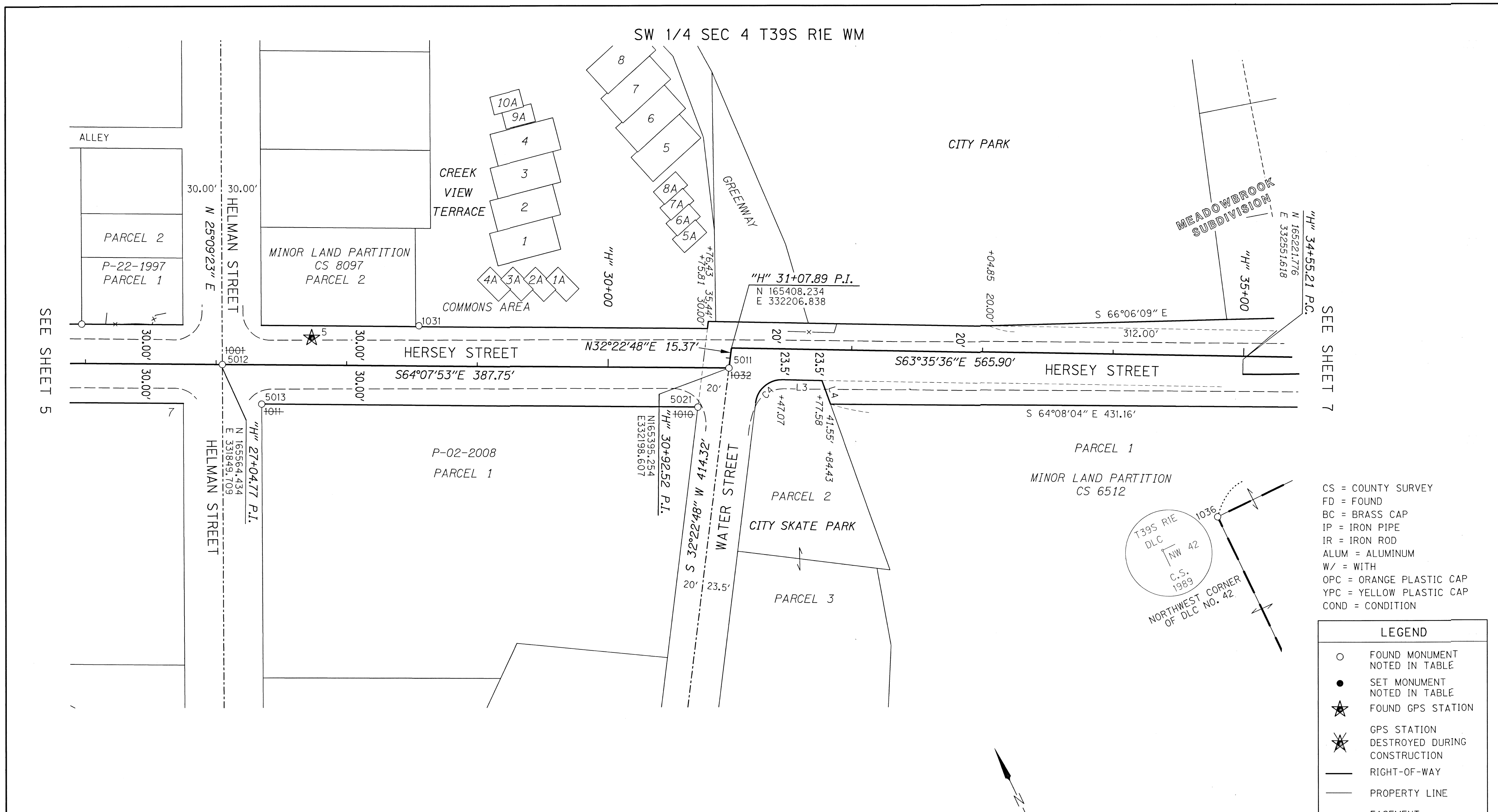
CITY OF ASHLAND  
 HERSEY STREET RECONSTRUCTION

MONUMENTATION SURVEY  
 HERSEY STREET, JACKSON COUNTY

CITY OF ASHLAND  
 20 EAST MAIN STREET  
 ASHLAND, OREGON 97520

JUNE 02, 2020  
 1" = 50'  
 SHEET 5 OF 10

DESIGNED: N. WARDELL	PROJ. NO. 0649-0029.50
DRAWN: S. GURLEY	CHK'D: J. COLTON



- CS = COUNTY SURVEY
- FD = FOUND
- BC = BRASS CAP
- IP = IRON PIPE
- IR = IRON ROD
- ALUM = ALUMINUM
- W/ = WITH
- OPC = ORANGE PLASTIC CAP
- YPC = YELLOW PLASTIC CAP
- COND = CONDITION

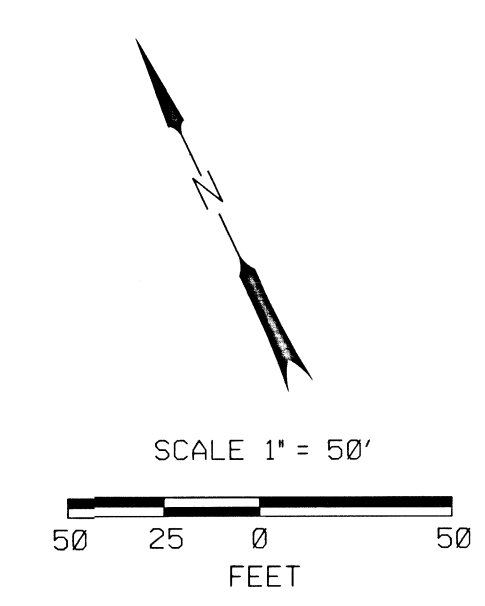
LEGEND	
○	FOUND MONUMENT NOTED IN TABLE
●	SET MONUMENT NOTED IN TABLE
★	FOUND GPS STATION
★	GPS STATION DESTROYED DURING CONSTRUCTION
—	RIGHT-OF-WAY
—	PROPERTY LINE
- -	EASEMENT

LINE TABLE		
ID	LENGTH	BEARING
L3	30.51'	S63°35'36"E
L4	19.30'	S05°38'01"W

CURVE TABLE					
CURVE	RADIUS	ARC LENGTH	CHORD LENGTH	CHORD BEARING	CENTRAL ANGLE
C4	20.00'	29.33'	26.77'	N74°23'36"E	84°01'36"

SET MONUMENT LIST						
PT ID	OCRS NORTHING	OCRS EASTING	STATION	OFFSET	DATE	DESCRIPTION
5011	165395.25	332198.61	"H" 30+92.52	0'	3/04/20	2.5" BRASS CAP "CITY OF ASHLAND SURVEY MARKER PLS 79198" IN MONUMENT WELL. REPLACED POINT NO. 1032
5013	165524.14	331863.93	"H" 27+35.14	30.05 RT	3/04/20	1" BRASS PLUG MARKED "DOWL", FLUSH. REPLACED POINT 1011
5021	165378.48	332164.25	"H" 30+68.92	30.08 RT	4/08/20	1.5" BRASS DISK MARKED "DOWL", FLUSH. REPLACED POINT 1010

FOUND MONUMENT LIST							* = DESTROYED DURING CONSTRUCTION
PT ID	OCRS NORTHING	OCRS EASTING	STATION	OFFSET	DATE	DESCRIPTION & REFERENCE DOCUMENTS	
1010*	165378.48	332164.25	"H" 30+68.92	30.08 RT	11/6/2015	5/8" IR W/RPC MARKED "D.A. EDWARDS LS 2339", DOWN 0.1', PER CS 12923	
1011*	165524.14	331863.93	"H" 27+35.14	30.05 RT	11/6/2015	5/8" IR W/YPC (UNREADABLE), FLUSH WITH PAVEMENT, PER CS 19897	
1031	165526.54	331998.39	"H" 28+55.08	30.77 LT	11/13/2015	1/2" IR, UP 0.2', ORIGIN UNKNOWN	
1032*	165395.25	332198.61	"H" 30+92.52	0'	11/13/2015	3/4" IP IN MON BOX, DOWN 2.5', PER CITY OF ASHLAND	



REGISTERED PROFESSIONAL LAND SURVEYOR  
*Andrew J. Silbernagel*  
 OREGON  
 MAY 12, 2011  
 ANDREW JOSEPH SILBERNAGEL  
 #79198  
 RENEWS: JUNE 30, 2022  
 SIGNED: *07/01/2020*

FILE NAME: 0649-0029-mon.dgn

920 COUNTRY CLUB ROAD, SUITE 100B  
 EUGENE, OREGON 97401  
 541-683-6090

**DOWL**

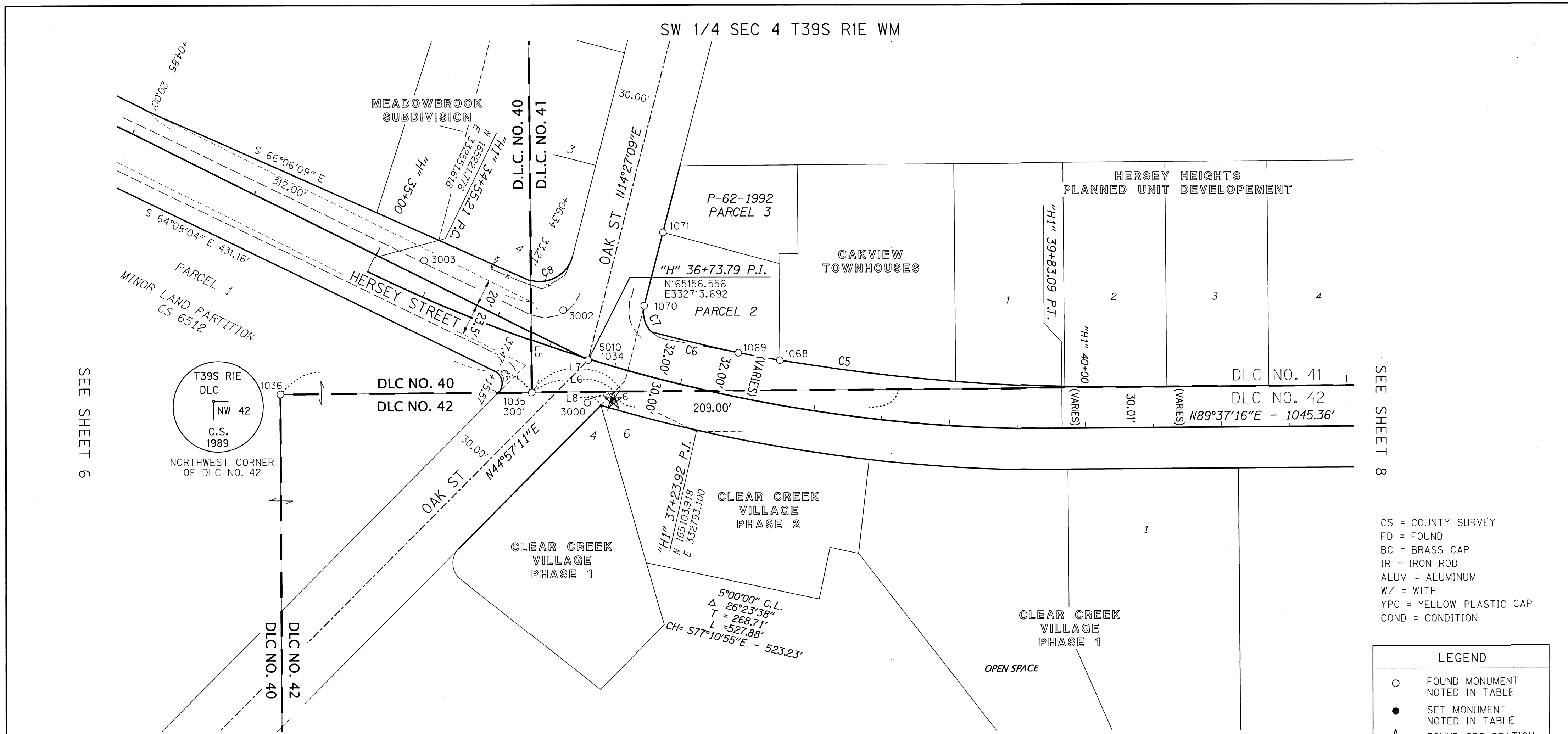
CITY OF ASHLAND  
 HERSEY STREET RECONSTRUCTION

MONUMENTATION SURVEY  
 HERSEY STREET, JACKSON COUNTY

CITY OF ASHLAND  
 20 EAST MAIN STREET  
 ASHLAND, OREGON 97520

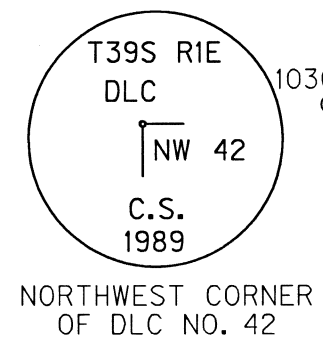
JUNE 02, 2020  
 1" = 50'  
 SHEET 6 OF 10

DESIGNED: N. WARDELL	PROJ. NO. 0649-0029.50
DRAWN: S. GURLEY	CHK'D: J. COLTON



SEE SHEET 6

SEE SHEET 8



- CS = COUNTY SURVEY
- FD = FOUND
- BC = BRASS CAP
- IR = IRON ROD
- ALUM = ALUMINUM
- W/ = WITH
- YPC = YELLOW PLASTIC CAP
- COND = CONDITION

LEGEND	
○	FOUND MONUMENT NOTED IN TABLE
●	SET MONUMENT NOTED IN TABLE
★	FOUND GPS STATION
✱	GPS STATION DESTROYED DURING CONSTRUCTION
—	RIGHT-OF-WAY
—	PROPERTY LINE
- - -	EASEMENT

LINE TABLE

ID	LENGTH	BEARING
L5	66.58'	S00°23'08"E
L6	60.85'	N89°36'52"E
L7	66.55'	N89°36'52"E
L8	14.38'	S44°57'11"W

CURVE TABLE

CURVE	RADIUS	ARC LENGTH	CHORD LENGTH	CHORD BEARING	CENTRAL ANGLE
C5	1500.00'	288.21'	287.21'	S84°53'42"E	10°58'51"
C6	1113.92'	66.38'	66.37'	S76°24'09"E	03°24'51"
C7	20.00'	20.83'	19.90'	S15°24'42"E	59°40'41"
C8	25.00'	43.39'	38.15'	N64°09'48"E	99°26'43"

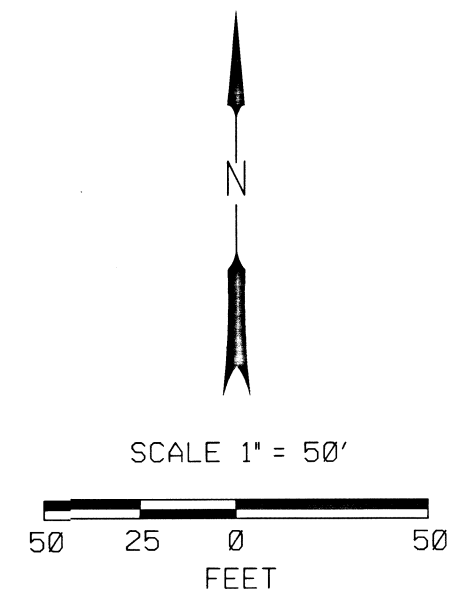
SET MONUMENT LIST

PT ID	OCRS NORTHING	OCRS EASTING	STATION	OFFSET	DATE	DESCRIPTION
5010	165156.56	332713.69	"H" 36+30.02 "H" 36+73.79	0.84' RT 0.00'	3/04/20	2.5" BRASS CAP "CITY OF ASHLAND SURVEY MARKER PLS 79198" IN MONUMENT WELL. REPLACED POINT NO. 1034

FOUND MONUMENT LIST

\* = DESTROYED DURING CONSTRUCTION

PT ID	OCRS NORTHING	OCRS EASTING	STATION	OFFSET	DATE	DESCRIPTION & REFERENCE DOCUMENTS
1034*	165156.56	332713.69	"H" 36+30.02 "H" 36+73.79	0.84' RT 0.00'	11/13/15	FD STONE IN MONUMENT BOX
1035*	165133.08	332672.20	"H" 35+98.36	36.03' RT	11/13/15	FD 2-1/2" BC MARKED "T39 RIE ESE 40 SW41 DLC COR, C.S. 1989"
1036	165131.86	332487.48	-	-	-	FD 2-1/2" BC MARKED "T39S RIE NW DLC 42", FLUSH, PER CS 15919
1068	165156.23	332854.45	"H" 37+68.79	32.49' LT	4/23/18	FD 5/8" IR W/2" ALUM CAP, ILLEGIBLE, FLUSH, PER CS 13604
1069	165161.66	332823.99	"H" 37+36.95	31.93' LT	4/23/18	FD 5/8" IR W/YPC MARKED "D. MLANAN LS 1913", GOOD COND, FLUSH, PER CS 12997
1070	165196.35	332754.91	"H" 36+58.80	49.05' LT	4/23/18	FD 5/8" IR W/YPC, ILLEGIBLE, GOOD COND, DOWN 0.8', PER CS 7339
1071	165249.93	332768.70	"H" 36+57.30	104.36' LT	4/23/18	FD 5/8" IR, GOOD COND, DOWN 0.3', PER CS 12997
3000	165125.33	332713.01	"H" 36+82.21	30.81' RT	4/08/20	FD 1.5" BRASS CAP MARKED "CS", FLUSH IN CURB
3001	165133.05	332672.21	"H" 35+98.36	36.03' RT	4/08/20	FD 2-1/2" BRONZE DISC MARKED "T39S RIE ESE 40 SW 41 DLC COR 2020", DOWN 0.3'
3002	165193.18	332695.31	"H" 36+41.09	24.63 LT	4/08/20	FD 1.5" BRASS CAP MARKED "CS", FLUSH IN CURB
3003	165229.91	332593.27	"H" 35+33.26	12.14 LT	4/08/20	FD 1.5" BRASS CAP MARKED "CS", FLUSH IN CURB



REGISTERED PROFESSIONAL LAND SURVEYOR

*Andrew J. Silbernagel*

OREGON  
MAY 12, 2011  
ANDREW JOSEPH SILBERNAGEL  
#79198

RENEWS: JUNE 30, 2022  
SIGNED: 07/01/2020

FILE NAME: 0649-0029\_mon.dgn

920 COUNTRY CLUB ROAD, SUITE 100B  
EUGENE, OREGON 97401  
541-683-6090

**DOWL**

CITY OF ASHLAND  
HERSEY STREET RECONSTRUCTION

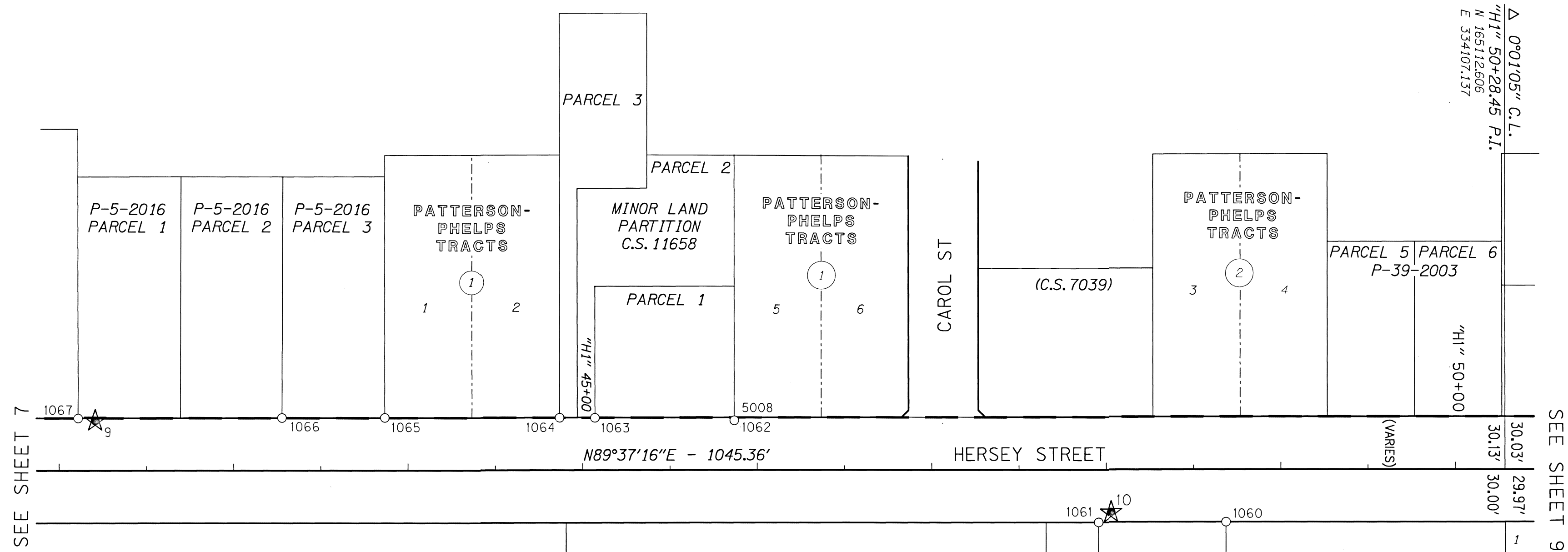
MONUMENTATION SURVEY  
HERSEY STREET, JACKSON COUNTY

CITY OF ASHLAND  
20 EAST MAIN STREET  
ASHLAND, OREGON 97520

JUNE 02, 2020  
1" = 50'  
SHEET 7 OF 10

DESIGNED: N. WARDELL	PROJ. NO. 0649-0029.50
DRAWN: S. GURLEY	CHK'D: J. COLTON

SW 1/4 SEC 4 T39S R1E WM  
SE 1/4 SEC 4 T39S R1E WM



LEGEND	
○	FOUND MONUMENT NOTED IN TABLE
●	SET MONUMENT NOTED IN TABLE
★	FOUND GPS STATION
★	GPS STATION DESTROYED DURING CONSTRUCTION
—	RIGHT-OF-WAY
—	PROPERTY LINE
- -	EASEMENT

FILE NAME: 0649-0029\_mon.dgn

SET MONUMENT LIST

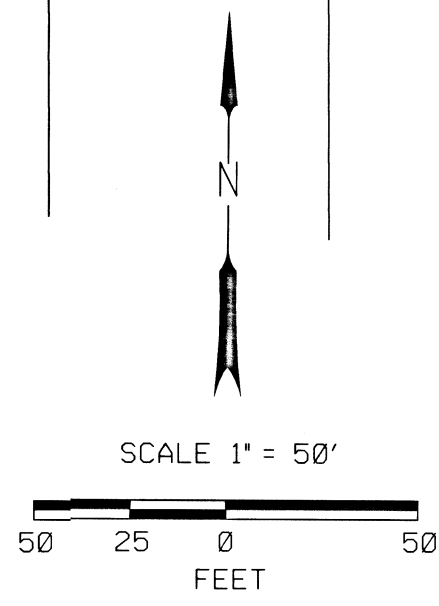
PT ID	OCRS NORTHING	OCRS EASTING	STATION	OFFSET	DATE	DESCRIPTION
5008	165138.08	333665.33	"HI" 45+86.81	28.39' LT	3/04/20	1" BRASS PLUG MARKED "DOWL", FLUSH. REPLACED POINT NO. 1062

FOUND MONUMENT LIST

PT ID	OCRS NORTHING	OCRS EASTING	STATION	OFFSET	DATE	DESCRIPTION & REFERENCE DOCUMENTS
1060	165081.59	333947.39	"HI" 48+68.50	29.96' RT	4/23/18	FD 5/8" IR W/SMASHED RPC, UP 0.2', PER CS 12354
1061	165081.14	333874.46	"HI" 47+95.56	29.93' RT	4/23/18	FD 5/8" IR W/SMASHED RPC, FLUSH, PER CS 12354
1062*	165138.08	333665.33	"HI" 45+86.81	28.39' LT	4/23/18	FD 5/8" IR W/RPC MARKED "DAVID A EDWARDS RPLS 2389", GOOD COND, DOWN 0.1', PER CS 11658
1063	165139.12	333585.45	"HI" 45+06.95	29.96' LT	4/23/18	FD 5/8" IR W/RPC MARKED, "DAVID A EDWARDS RPLS 2389", GOOD COND, DOWN 0.1', PER CS 11658
1064	165139.07	333565.30	"HI" 44+86.80	30.04' LT	4/23/18	FD 5/8" IR, GOOD COND, DOWN 0.5', PER CS 11658
1065	165138.55	333465.22	"HI" 43+86.71	30.18' LT	4/23/18	FD 5/8" IR W/SMASHED RPC, BENT SLIGHTLY NORTHEASTERLY, UP 0.3', PER CS 12112
1066	165138.17	333406.25	"HI" 43+27.74	30.20' LT	4/23/18	FD 5/8" IR W/YPC MARKED "L.J. FRIAR & ASSOC. PC", GOOD COND, UP 0.1', PER CS 21892
1067	165137.17	333289.40	"HI" 42+10.89	29.97' LT	4/23/18	FD 5/8" IR, GOOD COND, FLUSH, PER CS 12112

\* = DESTROYED DURING CONSTRUCTION

CS = COUNTY SURVEY  
FD = FOUND  
IR = IRON ROD  
RPC = RED PLASTIC CAP  
W/ = WITH  
YPC = YELLOW PLASTIC CAP  
COND = CONDITION



REGISTERED PROFESSIONAL LAND SURVEYOR  
*Andrew Joseph Silbernagel*  
OREGON  
MAY 12, 2011  
ANDREW JOSEPH SILBERNAGEL  
#79198

RENEWS: JUNE 30, 2022  
SIGNED: 07/01/2020

920 COUNTRY CLUB ROAD, SUITE 100B  
EUGENE, OREGON 97401  
541-683-6090

**DOWL**

CITY OF ASHLAND  
HERSEY STREET RECONSTRUCTION

MONUMENTATION SURVEY  
HERSEY STREET, JACKSON COUNTY

CITY OF ASHLAND  
20 EAST MAIN STREET  
ASHLAND, OREGON 97520

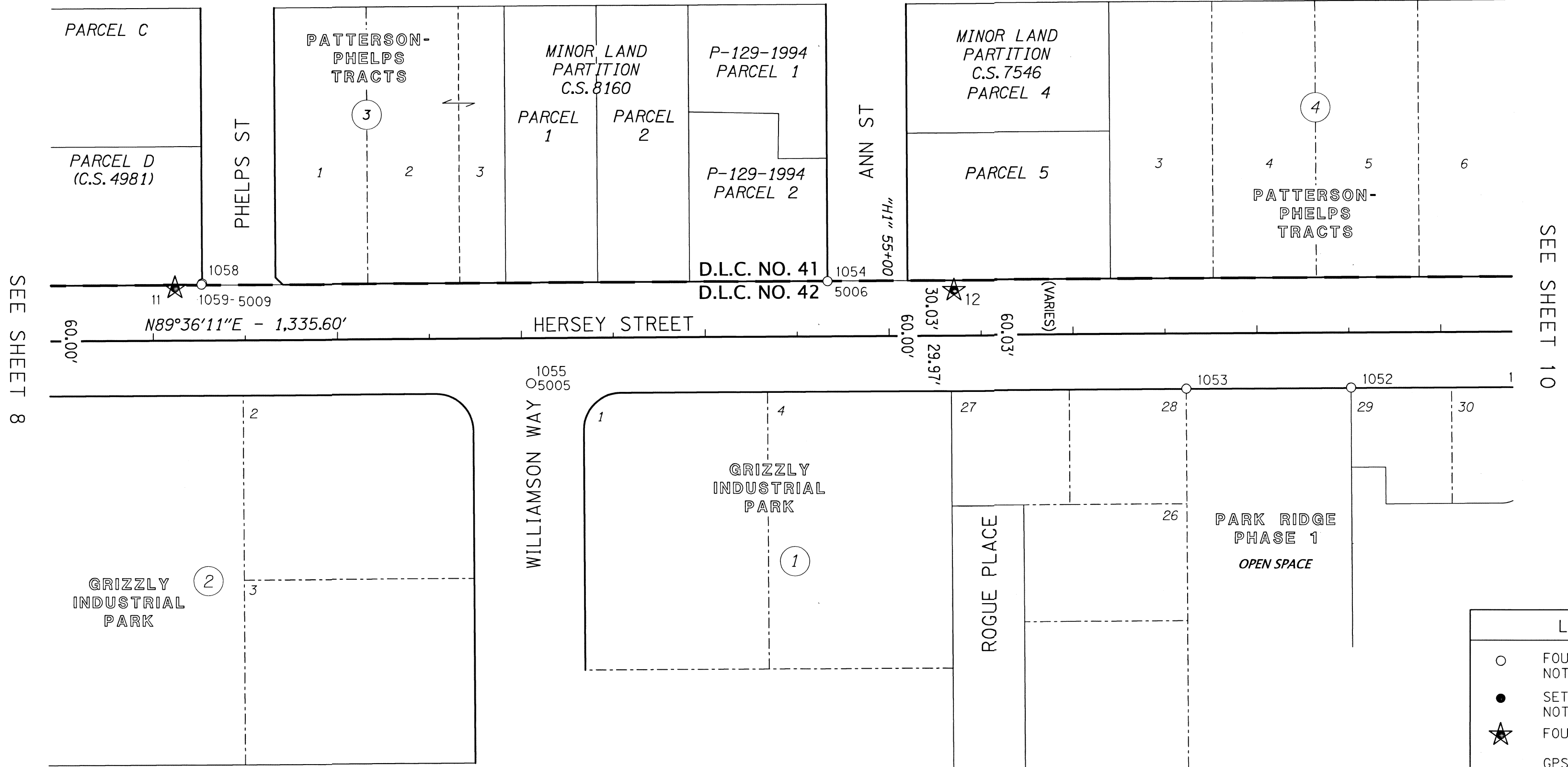
JUNE 02, 2020  
1" = 50'  
SHEET 8 OF 10

DESIGNED: N. WARDELL  
DRAWN: S. GURLEY

PROJ. NO. 0649-0029.50  
CHK'D: J. COLTON



SE 1/4 SEC 4 T39S R1E WM



SEE SHEET 8

SEE SHEET 10

CS = COUNTY SURVEY  
 FD = FOUND  
 IR = IRON ROD  
 RR = RAILROAD  
 W/ = WITH  
 YPC = YELLOW PLASTIC CAP  
 COND = CONDITION

LEGEND	
○	FOUND MONUMENT NOTED IN TABLE
●	SET MONUMENT NOTED IN TABLE
★	FOUND GPS STATION
★	GPS STATION DESTROYED DURING CONSTRUCTION
—	RIGHT-OF-WAY
—	PROPERTY LINE
- - -	EASEMENT

FILE NAME: 0649-0029\_mon.dgn

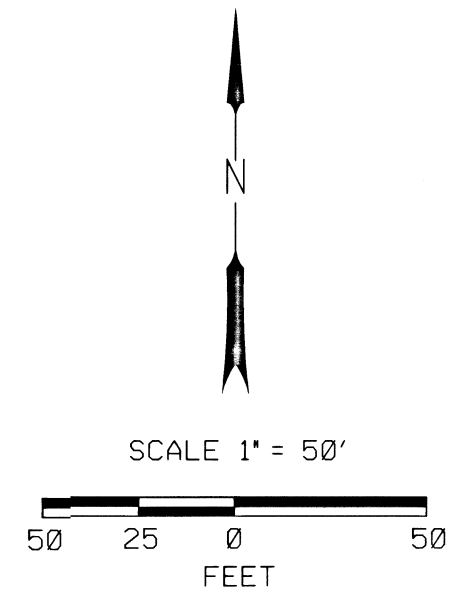
SET MONUMENT LIST

PT ID	OCRS NORTHING	OCRS EASTING	STATION	OFFSET	DATE	DESCRIPTION
5005	165090.10	334383.92	"HI" 53+05.07	24.42' RT	3/04/20	2.5" BRASS CAP "CITY OF ASHLAND SURVEY MARKER DOWL PLS 79198". REPLACED POINT NO 1055
5006	165145.62	334545.14	"HI" 54+66.67	29.98' LT	3/04/20	5/8" IR W/YPC MARKED "DOWL", REPLACED POINT NO 1054
5009	165143.66	334204.77	"HI" 51+26.29	30.38' LT	3/04/20	1" BRASS PLUG MARKED "DOWL" SET IN CONCRETE OVER POUR. REPLACED POINT NO 1059

FOUND MONUMENT LIST

\* = DESTROYED DURING CONSTRUCTION

PT ID	OCRS NORTHING	OCRS EASTING	STATION	OFFSET	DATE	DESCRIPTION & REFERENCE DOCUMENTS
1052	165087.88	334829.88	"HI" 57+51.00	29.74' RT	4/23/18	FD 5/8" IR W/YPC MARKED "L.J. FRIAR & ASSOC", GOOD COND, DOWN 0.2', PER CS 15919
1053	165087.15	334740.20	"HI" 56+61.31	29.84' RT	4/23/18	FD 5/8" IR W/YPC ILLEGIBLE, GOOD COND, UP 0.2', PER CS 16198
1054*	165145.62	334545.14	"HI" 54+66.67	29.98' LT	4/23/18	FD 5/8" IR W/YPC MARKED "BURRELL PLS 659", GOOD COND, DOWN 1.2', PER CS 14322
1055*	165090.10	334383.92	"HI" 53+05.07	24.42' RT	4/23/18	FD RR SPIKE MARKED W/"X", GOOD COND, FLUSH
1058	165144.32	334205.15	"HI" 51+26.68	31.04' LT	4/23/18	FD 5/8" IR, GOOD COND, DOWN 0.2', PER CS 9518
1059*	165143.66	334204.77	"HI" 51+26.29	30.38' LT	4/23/18	FD 5/8" IR, BENT SLIGHTLY NW, DOWN 0.2', PER CS 9518



REGISTERED PROFESSIONAL LAND SURVEYOR  
*Andrew Joseph Silbernagel*  
 OREGON  
 MAY 12, 2011  
 ANDREW JOSEPH SILBERNAGEL  
 #79198  
 RENEWS: JUNE 30, 2022  
 SIGNED: 07/01/2020

920 COUNTRY CLUB ROAD, SUITE 100B  
 EUGENE, OREGON 97401  
 541-683-6090

**DOWL**

CITY OF ASHLAND  
 HERSEY STREET RECONSTRUCTION

MONUMENTATION SURVEY  
 HERSEY STREET, JACKSON COUNTY

CITY OF ASHLAND  
 20 EAST MAIN STREET  
 ASHLAND, OREGON 97520

JUNE 02, 2020  
 1" = 50'  
 SHEET 9 OF 10

DESIGNED: N. WARDELL  
 DRAWN: S. GURLEY  
 CHK'D: J. COLTON

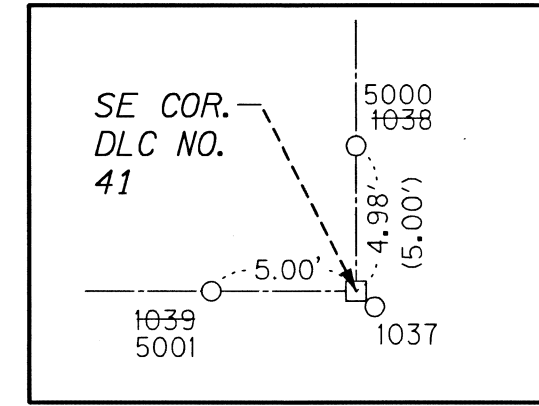
PROJ. NO. 0649-0029.50

SE 1/4 SEC 4 T39S R1E WM

SET MONUMENT LIST

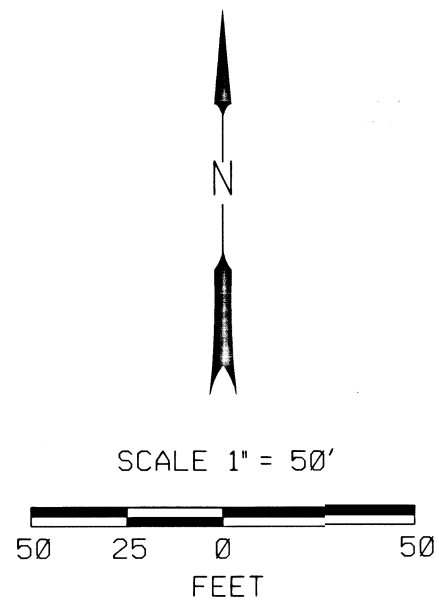
PT ID	OCRS NORTHING	OCRS EASTING	STATION	OFFSET	DATE	DESCRIPTION
5000	165156.37	335392.87	"H" 63+14.45	34.85' LT	3/04/20	2.5" BRASS CAP "CITY OF ASHLAND SURVEY MARKER DOWL PLS 79198" IN MONUMENT WELL. REPLACED POINT NO. 1038
5001	165151.35	335387.97	"H" 63+09.51	29.87' LT	3/04/20	2.5" BRASS CAP "CITY OF ASHLAND SURVEY MARKER DOWL PLS 79198" IN MONUMENT WELL. REPLACED POINT NO. 1039
5002	165121.54	335415.25	"H" 63+36.59	0.13' RT	3/04/20	2.5" BRASS CAP "CITY OF ASHLAND SURVEY MARKER DOWL PLS 79198" IN MONUMENT WELL. REPLACED POINT NO. 1057
5003	165110.14	335216.96	"H" 61+38.23	10.16' RT	3/04/20	2.5" BRASS CAP "CITY OF ASHLAND SURVEY MARKER DOWL PLS 79198" IN MONUMENT WELL. REPLACED POINT NO. 1041
5004	165120.06	335207.36	"H" 61+28.70	0.16' RT	3/04/20	2.5" BRASS CAP "CITY OF ASHLAND SURVEY MARKER DOWL PLS 79198" IN MONUMENT WELL. REPLACED POINT NO. 1042
5007	165148.58	334962.93	"H" 58+84.47	30.06' LT	3/04/20	1" BRASS PLUG MARKED "DOWL". REPLACED POINT NO. 1051

CS = COUNTY SURVEY  
 FD = FOUND  
 IR = IRON ROD  
 IP = IRON PIPE  
 BC = BRASS CAP  
 W/ = WITH  
 YPC = YELLOW PLASTIC CAP  
 COND = CONDITION



DETAIL "A"  
 NOT TO SCALE

SOUTHEAST CORNER  
 BENNETT MILLION D.L.C. NO. 41  
 THIS POINT BEARS N89°36'52"E 2720.83 FEET  
 FROM THE SOUTHWEST CORNER OF D.L.C. NO. 41

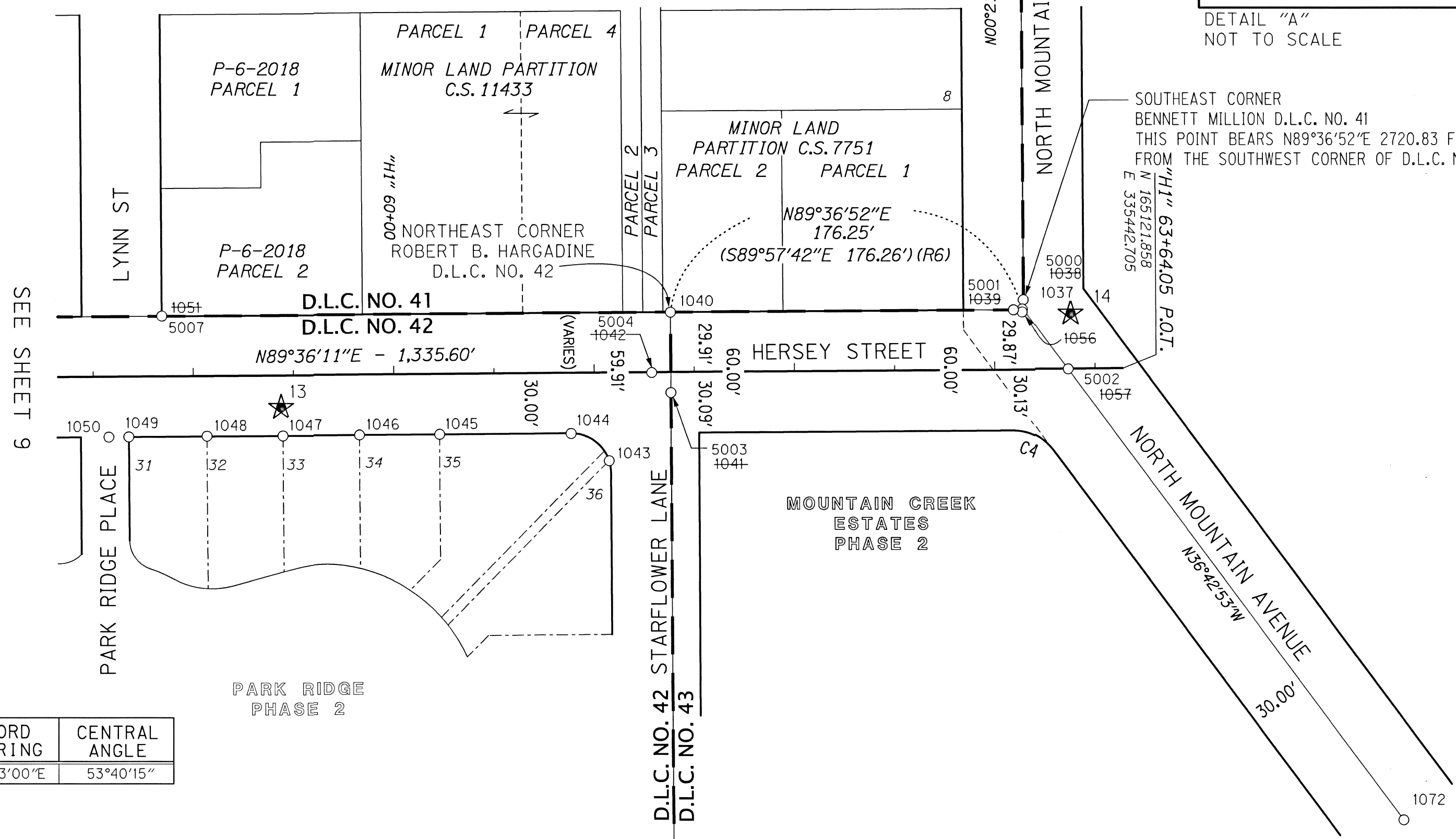


REGISTERED  
 PROFESSIONAL  
 LAND SURVEYOR

*Andrew Joseph Silbernagel*

OREGON  
 MAY 12, 2011  
 ANDREW JOSEPH SILBERNAGEL  
 #79198

RENEWS: JUNE 30, 2022  
 SIGNED: 07/01/2020



CURVE TABLE

CURVE	RADIUS	ARC LENGTH	CHORD LENGTH	CHORD BEARING	CENTRAL ANGLE
C4	25.00'	23.42'	22.57'	S63°33'00"E	53°40'15"

FOUND MONUMENT LIST

PT ID	OCRS NORTHING	OCRS EASTING	STATION	OFFSET	DATE	DESCRIPTION & REFERENCE DOCUMENTS
1037	165151.72	335392.34	"H" 63+13.89	30.21' LT	4/23/18	FD PUNCH MARK IN RIM OF MANHOLE, PER CS 15364- NOT HELD FOR DLC CORNER
1038*	165156.37	335392.87	"H" 63+14.45	34.85' LT	4/23/18	FD 5/8" IR W/2 1/2" BC, ILLEGIBLE, IN MONUMENT BOX WELDED SHUT W/BROKEN TOP, DOWN 0.3', PER CS 15364
1039*	165151.35	335387.97	"H" 63+09.51	29.87' LT	4/23/18	FD 5/8" IR W/2 1/2" BC IN MONUMENT BOX MARKED "CITY OF ASHLAND 1997 LS 759 SURVEY MARKER", DOWN 0.5', PER CS 15364
1040	165150.14	335216.72	"H" 61+38.26	29.85' LT	4/23/18	FD 5/8" IR W/2 1/2" BC IN MONUMENT BOX MARKED "T39S RIE DLC 41 DLC 42 DLC 43 1993 LS 759", GOOD COND, DOWN 0.4', PER CS 13679
1041*	165110.14	335216.96	"H" 61+38.23	10.16' RT	4/23/18	FD 5/8" IR W/YPC ILLEGIBLE, GOOD COND, FLUSH WITH AC, PER CS 15930
1042*	165120.06	335207.36	"H" 61+28.70	0.16' RT	4/23/18	FD 5/8" IR W/BC W/PUNCH MARK, GOOD COND, DOWN 0.3', PER CS 15930
1043	165076.19	335186.19	"H" 61+07.22	43.89' RT	4/23/18	FD 5/8" IR W/YPC MARKED "L.J. FRIAR & ASSOC", GOOD COND, FLUSH, PER CS 15919
1044	165089.82	335167.16	"H" 60+88.29	30.13' RT	4/23/18	FD 5/8" IR W/YPC MARKED "L.J. FRIAR & ASSOC", GOOD COND, DOWN 0.5', PER CS 15919
1045	165089.49	335101.55	"H" 60+22.67	30.01' RT	4/23/18	FD LEAD AND TACK IN SIDEWALK WITH WASHER MARKED "L.J. FRIAR & ASSOC", GOOD COND, PER CS 18542
1046	165089.21	335061.50	"H" 59+82.63	30.01' RT	4/23/18	FD LEAD IN WALK, PER CS 18542
1047	165089.04	335023.48	"H" 59+44.60	29.92' RT	4/23/18	FD LEAD IN WALK, PER CS 18542
1048	165088.91	334985.53	"H" 59+06.65	29.78' RT	4/23/18	FD 5/8" IR W/YPC MARKED "L.J. FRIAR & ASSOC", GOOD COND, FLUSH, PER CS 18542
1049	165088.54	334946.47	"H" 58+67.59	29.88' RT	4/23/18	FD LEAD IN CURB, PER CS 18542
1051*	165087.88	334962.93	"H" 58+84.47	30.06' LT	4/23/18	FD LEAD AND TACK IN SIDEWALK W/WASHER MARKED "PLS 2464", PER SN 19150
1050	165088.41	334936.50	"H" 58+57.63	29.94' RT	4/23/18	FD 5/8" IR W/2 1/2" BC MARKED "L.J. FRIAR & ASSOC", GOOD COND, DOWN 0.6', PER CS 18542
1056*	165150.27	335415.25	"H" 63+13.81	28.76' LT	4/23/18	FD PUNCH MARK IN RIM OF MANHOLE, PER CS 15364
1057*	165121.54	335415.25	"H" 63+36.59	0.13' RT	4/23/18	FD 5/8" IR W/BC, IN MONUMENT BOX, GOOD COND, DOWN 0.3', PER CS 15930
1072	164896.95	335582.72	-	-	4/23/18	FD 2-1/2" BC ON 1" IP IN MONUMENT BOX MARKED "L.J. FRIAR & ASSOC.", PER CS 15919

\* = DESTROYED DURING CONSTRUCTION

FILE NAME: 0649-0029\_mon.dgn

920 COUNTRY CLUB ROAD, SUITE 100B  
 EUGENE, OREGON 97401  
 541-683-6090

**CITY OF ASHLAND**  
**HERSEY STREET RECONSTRUCTION**

MONUMENTATION SURVEY  
 HERSEY STREET, JACKSON COUNTY

CITY OF ASHLAND  
 20 EAST MAIN STREET  
 ASHLAND, OREGON 97520

JUNE 02, 2020  
 1" = 50'  
 SHEET 10 OF 10

DESIGNED: N. WARDELL

PROJ. NO. 0649-0029.50

DRAWN: S. GURLEY

CHK'D: J. COLTON