

# MAP OF SURVEY

Located in the NE 1/4 of Sec. 5, T.36S, R.2W., W.M.  
Jackson County, Oregon

**SURVEY FOR:** THE NATURE CONSERVANCY OF OREGON  
821 SE 14TH AVE.  
PORTLAND, OR 97214

**DATE:** JULY 1, 2020

**SURVEY BY:**  
L.J. FRIAR & ASSOCIATES, P.C.  
CONSULTING LAND SURVEYORS  
PO BOX 1947  
PHOENIX, OR 97535  
PHONE: (541) 772-2782  
LJFRIARANDASSOCIATES@CHARTER.NET

**BASIS OF BEARINGS**  
S89°58'35"W

2651.97

31 {1989} 32 [2650.96] 2650.96  
S89°57'17"E  
[S89°57'17"E] 5

32 33 {2016} 2016  
5 4

S00°15'30"E  
[500.1530] E

S00°35'30"E  
[500.3530] E

W 1/2 OF THE W 1/2 OF THE NW 1/4 OF THE NE 1/4

E 1/2 OF THE W 1/2 OF THE NW 1/4 OF THE NE 1/4

W 1/2 OF THE W 1/2 OF THE E 1/2 OF THE NW 1/4 OF THE NE 1/4

E 1/2 OF THE W 1/2 OF THE E 1/2 OF THE NW 1/4 OF THE NE 1/4

E 1/2 OF THE E 1/2 OF THE NW 1/4 OF THE NE 1/4

NE 1/4 OF THE NE 1/4

DOC. 2011-036756, ORJCO

DOC. 2007-022661, ORJCO

DOC. 79-00211, ORJCO SW 1/4 OF THE NE 1/4

405.44

431.40

482.99

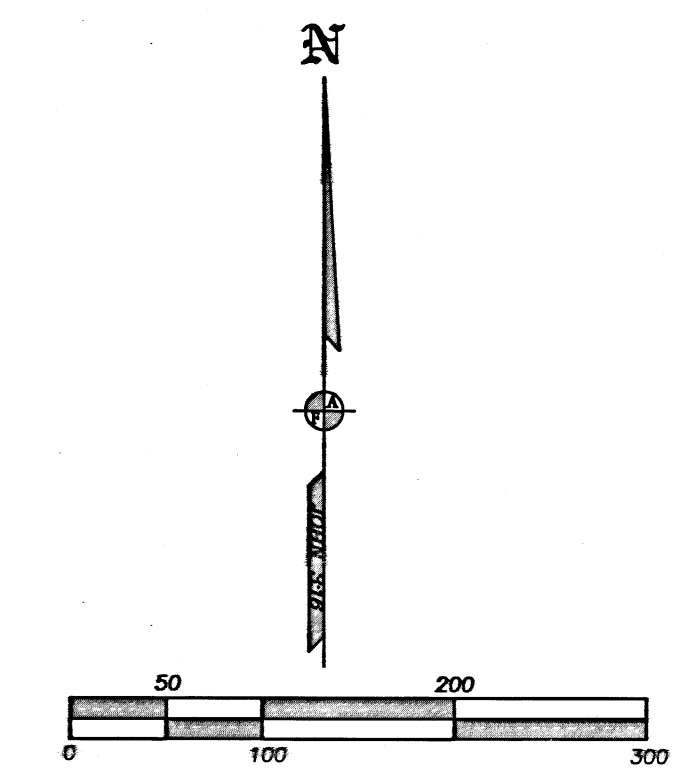
1339.83

N89°54'02"E  
[N89°54'02"E]

2659.66  
2659.59]

SE 1/4 OF THE NE 1/4

N 1/16 COR.



- LEGEND:**
- ⊙ = FD. COUNTY SURVEYOR'S BRASS CAPPED MONUMENT PER {YEAR} RE-ESTAB'S.
  - = FD. 3/4" IRON PIPE (BRASS CAP GONE) PER FS8741.
  - = SET 5/8" X 24" IRON PIN & PLASTIC CAP MKD. L.J. FRIAR & ASSOC.
  - [ ] = RECORD DATA PER FS10625.
  - ORJCO = OFFICIAL RECORDS OF JACKSON COUNTY, OREGON.
  - FS = FILED SURVEY #.
  - X- = FENCE LINE.

**BASIS OF BEARINGS:**  
NORTH LINE SECTION 5 PER FS10625 AS SHOWN HEREON.  
UNIT OF MEASUREMENT = FEET SCALE: 1" = 100'

**SURVEY NARRATIVE TO COMPLY WITH O.R.S. 209.250**

**PURPOSE:** TO SURVEY AND MONUMENT CERTAIN POINTS ALONG THE NORTH LINE OF DOC. 79-00211, ORJCO (BEING THE SW 1/4 OF THE NE 1/4 OF SECTION 5 AND LOCATE EXISTING FENCE LINES.

**PROCEDURE:** USING TRIMBLE R8 G.P.S. RECEIVERS MADE TIES TO MONUMENTS OF RECORD AS SHOWN HEREON TO CONTROL THE SURVEY. USED MAP RECORD DATA PER FS10625 THE POSITION OF THE CN 1/16 CORNER AND THEN SET MONUMENTS ALONG THE NORTH LINE OF SAID 1/4, 1/4 AND LOCATED THE FENCE LINES AS SHOWN HEREON. THE MONUMENTS SET ARE NOT PROPERTY CORNER MONUMENTS.

REGISTERED PROFESSIONAL LAND SURVEYOR  
*J. Friar*  
OREGON  
JULY 17, 1986  
JAMES E. HIBBS  
2234  
RENEWAL DATE: 6-30-21

FILED  
Date 7/6/20 By RB  
This Survey Consists Of:  
1 sheet(s) Map  
0 page(s) Narrative  
JACKSON COUNTY SURVEYOR