

SURVEY FOR:
MIKE PAGNINI
3438 CADET DR.
MEDFORD, OR 97504

SURVEY BY:
L.J. FRIAR & ASSOCIATES, P.C.
CONSULTING LAND SURVEYORS
PO BOX 1947
PHOENIX, OR 97535
PHONE: (541) 772-2782
LJFRIARANDASSOCIATES@CHARTER.NET

DATE:
SEPTEMBER 10, 2019

MAP OF SURVEY
Located in the N.E. 1/4 of Sec. 30, T.37S., R.1W., W.M.
City of Medford Jackson County, Oregon

LEGEND:

- ⊙ = FD. COUNTY SURVEYOR'S BRASS CAPPED MONUMENT PER {YEAR} RE-ESTAB'S.
- ⊗ = FD. CITY OF MEDFORD BRASS CAP IN MON WELL PER FS10825.
- = FD. 5/8" IRON PIN PER FS2514.
- ⊙ = FD. 5/8" IRON PIN & PLASTIC CAP MKD. MCMAHAN LS1913 PER FS12920.
- = SET 5/8" X 24" IRON PIN & PLASTIC CAP MKD. L.J. FRIAR & ASSOC.
- JCDR = JACKSON COUNTY DEED RECORDS.
- ORJCO = OFFICIAL RECORDS OF JACKSON COUNTY, OREGON.
- WC = WITNESS CORNER.
- () = RECORD DATA PER MHA OR AS NOTED.
- MHA = MEDFORD HEIGHTS ADDITION.
- FS = FILED SURVEY #.
- C1 L1 = SEE COURSE DATA TABLE.
- X- = FENCE LINE.
- < > = RECORD DATA PER FS2514.
- [] = RECORD DATA PER FS12920.

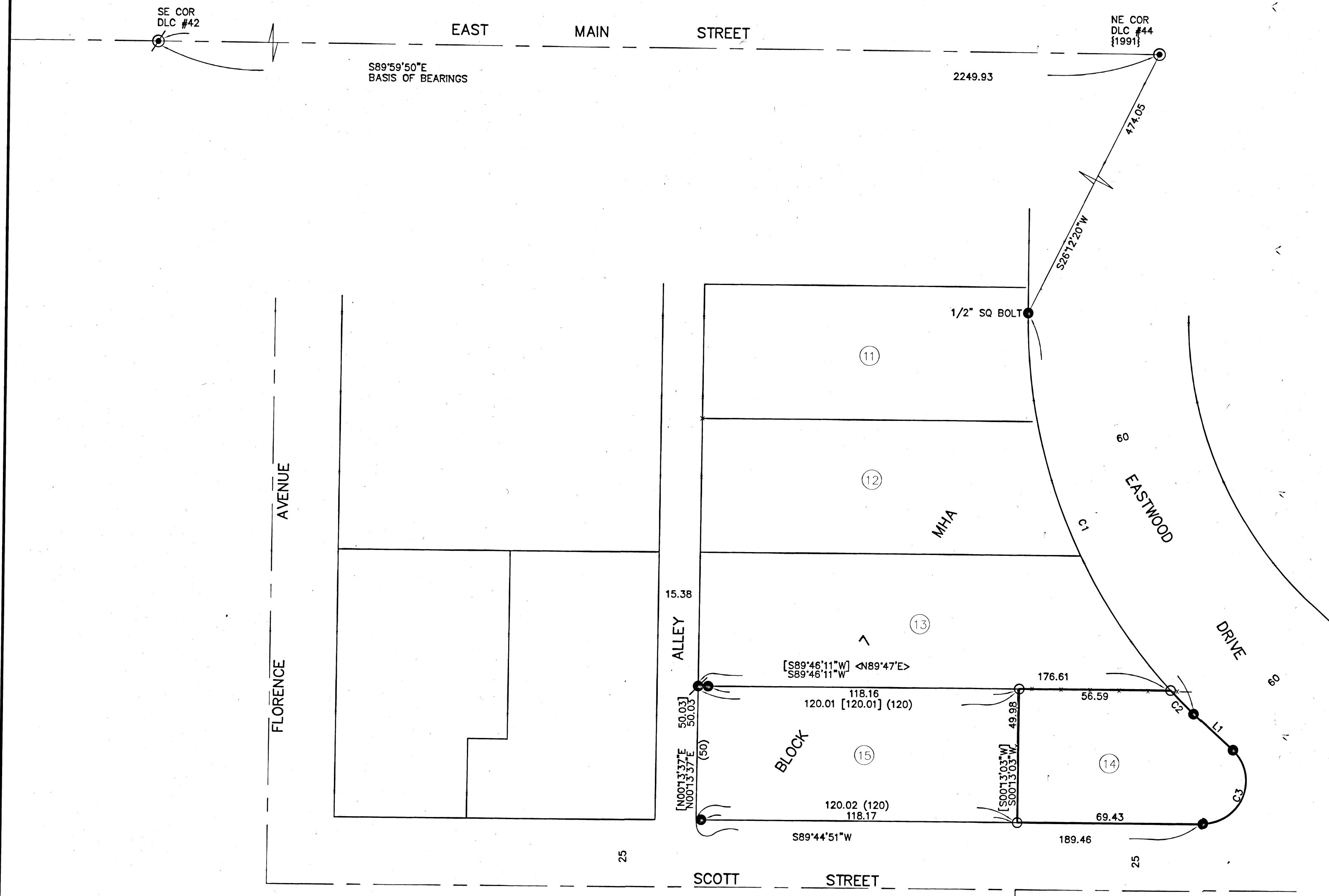
SURVEY NARRATIVE TO COMPLY WITH O.R.S. 209-250

PURPOSE: TO SURVEY AND MONUMENT THE CORNERS OF THAT LOT 14, BLOCK 7 OF MEDFORD HEIGHTS ADDITION LESS THE STREET RIGHT OF WAY OF EASTWOOD DRIVE AS SHOWN ON DEDICATED ON ANKENY HEIGHTS ADDITION.

PROCEDURE: USING TRIMBLE R8 G.P.S. RECEIVERS AND TRIMBLE S8 ROBOTIC TOTAL STATION, MADE TIES TO MONUMENTS OF RECORD AS SHOWN HEREON TO CONTROL THE EXTERIOR OF THIS PROPERTY. THE WEST RIGHT OF EASTWOOD DRIVE AS DEDICATED BY ANKENY HEIGHTS ADDITION AND THE NORTH LINE OF SCOTT STREET WAS HELD AS FOUND MONUMENTED BY FS2514. THE NORTHWEST CORNER OF LOT 14 WAS POSITIONED USING MAP RECORD DATA PER FS12920. HELD MAP RECORD BEARING PER FS12920 FOR THE WEST LINE OF LOT 14. SET MONUMENTS AT THE LOCATIONS SHOWN HEREON.

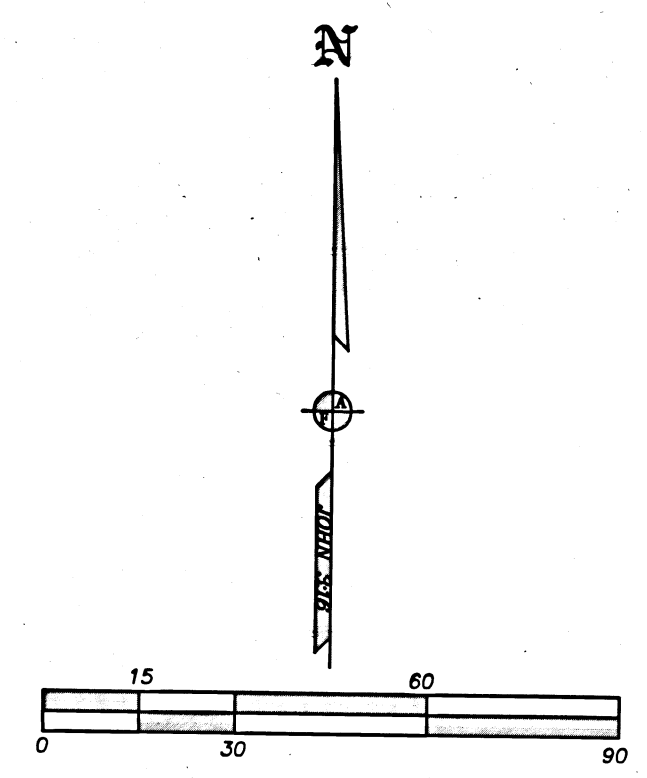
BASIS OF BEARINGS:

CENTERLINE OF EAST MAIN STREET PER FS12920.
UNIT OF MEASUREMENT = FEET SCALE: 1" = 30'



COURSE DATA TABLE

NUM	DELTA	ARC	RADIUS	LONG CHORD
C1	46°37'47"	166.53	204.62	S23°06'12"E 161.97
<C1>		166.32	204.62	
C2	03°27'21"	12.34	204.62	S44°41'24"E 12.34
<C2>		12.10	204.62	
C3	136°17'16"	38.06	16.00	N21°36'13"E 29.70
<C3>		38.07	16.00	
NUM	BEARING	DISTANCE		
L1	N47°48'16"W	20.12		
<L1>	N46°33'00"W	20.09		



REGISTERED PROFESSIONAL LAND SURVEYOR
James E. Hibbs
OREGON
JULY 17, 1988
JAMES E. HIBBS
2234
RENEWAL DATE: 6-30-21

FILED
Date 12/2/19 By SS
This Survey Consists Of:
1 sheet(s) Map
0 page(s) Narrative
JACKSON COUNTY SURVEYOR