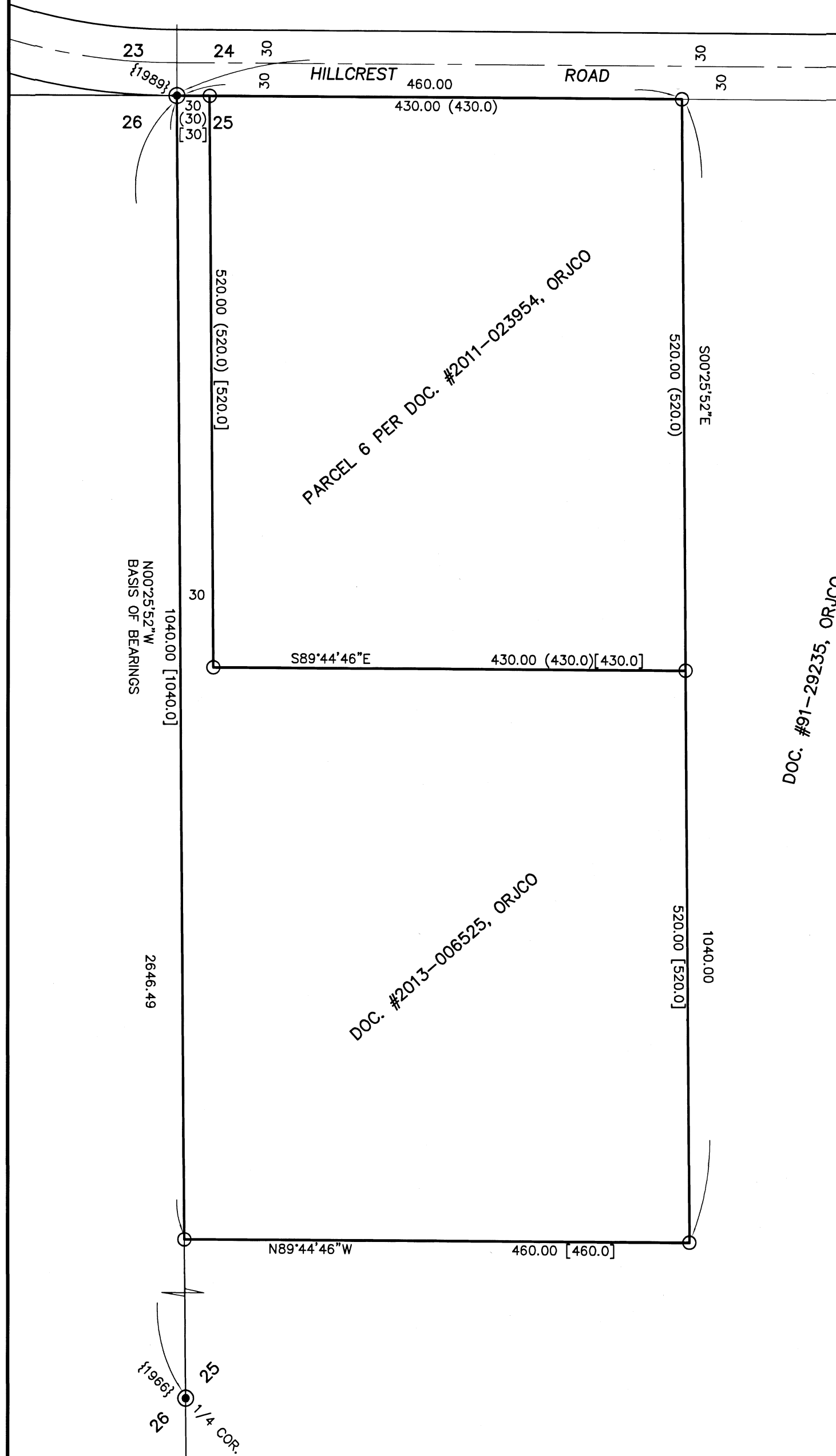


**SURVEY FOR:**  
 CARL HUMPHRIES  
 5550 HILLCREST ROAD  
 MEDFORD, OR 97504

**SURVEY BY:**  
 L.J. FRIAR & ASSOCIATES, P.C.  
 CONSULTING LAND SURVEYORS  
 PO BOX 1947  
 PHOENIX, OR 97535  
 PHONE: (541) 772-2782  
 LJFRIARANDASSOCIATES@CHARTER.NET

**DATE:**  
 JULY 2, 2019

**MAP OF SURVEY**  
 In the N.W. 1/4 of Section 25, T.37S., R.1W., W.M.  
 Jackson County, Oregon.

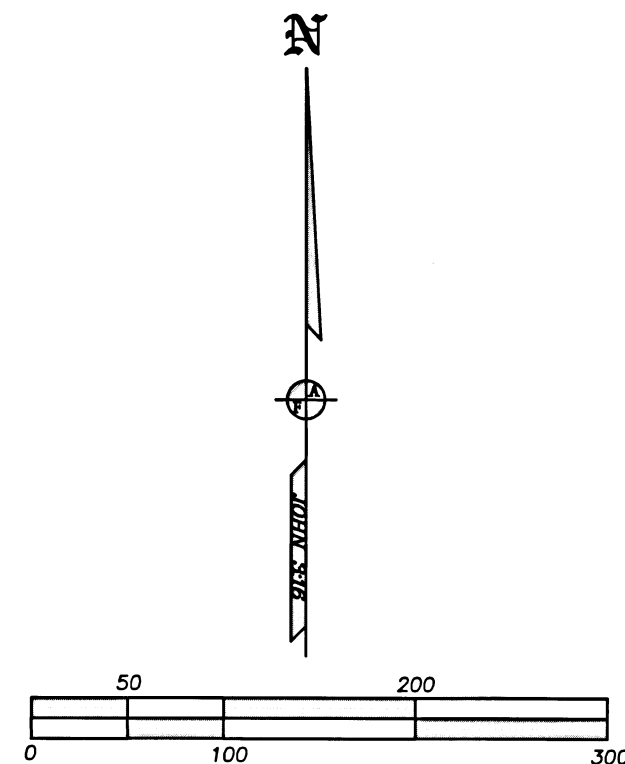


<N89°45'35\"/>

- LEGEND:**
- ⊙ = FD. COUNTY SURVEYOR'S BRASS CAPPED MONUMENT PER {YEAR} RE-ESTAB'S.
  - = SET 5/8\"/>

**BASIS OF BEARINGS:**  
 SURVEY NO. 15670 AS SHOWN HEREON.  
 UNIT OF MEASUREMENT = FEET

SCALE: 1\"/>



**SURVEY NARRATIVE TO COMPLY WITH O.R.S. 209.250**

**PURPOSE:** To survey and monument the corners of Doc. 2013-006525 & Parcel 6 per Doc. 2011-023954, ORJCO.

**PROCEDURE:** Using Trimble R8 G.P.S. receivers made ties to the three controlling Gov't monuments as shown hereon. Held the East & South lines of the subject tracts parallel to the West & North lines, respectively, of Section 25 per deed. Held deed record distances to compute the positions of the property corners and set monuments as shown hereon.

REGISTERED PROFESSIONAL LAND SURVEYOR

James E. Hibbs  
 OREGON  
 JULY 17, 1986  
 JAMES E. HIBBS  
 2234  
 RENEWAL DATE 6-30-21

FILED  
 Date 8/6/19 By PB  
 This Survey Consists Of:  
 1 sheet(s) Map  
 0 page(s) Narrative  
 JACKSON COUNTY SURVEYOR