

SURVEY FOR:
 SUSAN JENNINGS
 5018 COLEMAN CR. RD.
 MEDFORD, OR 97501

SURVEY BY:
 L.J. FRIAR & ASSOCIATES, P.C.
 CONSULTING LAND SURVEYORS
 PO BOX 1947
 PHOENIX, OR 97535
 PHONE: (541) 772-2782
 LJFRIARANDASSOCIATES@CHARTER.NET

DATE:
 JULY 9, 2019

MAP OF SURVEY
 Located in the N.W. 1/4 of Sec. 20, T.38S., R.1W., W.M.
 Jackson County, Oregon

COURSE DATA TABLE		
NUM	BEARING	DISTANCE
L1	S58°39'21"W {S57°46'20"W}	16.91 {16.91}
L2	S27°36'59"E {S28°30'00"E}	11.04 {11.04}
L3	N45°42'44"E {N45°48'30"E}	44.37 {44.37}

SURVEY NARRATIVE TO COMPLY WITH O.R.S. 209.250

PURPOSE: TO SURVEY AND MONUMENT THE "FLAG POLE" PORTION OF DOC. 97-19732, ORJCO AND SET TEMPORARY POINTS ALONG THE NORTHERLY AND SOUTHERLY LINES THEREOF FOR FENCING PURPOSES.

PROCEDURE: USING TRIMBLE R8 G.P.S. RECEIVERS AND TRIMBLE S8 ROBOTIC TOTAL STATION, MADE TIES TO MONUMENTS OF RECORD AS SHOWN HEREON TO CONTROL THE PORTION OF THE SUBJECT TRACT. THE SOUTHERLY SIDE OF THE "FLAG POLE" IS CONTROLLED BY THE NORTHERLY LINE OF VOL. 331, PG. 252, JCDR AND THE NORTHERLY SIDE IS CONTROLLED BY THE SOUTHERLY LINE OF VOL. 400, PG. 423, JCDR. USED DEED RECORD DATA PER VOL. 400, PG. 423, JCDR AS SHOWN TO POSITION THE SOUTHERLY LINE OF SAID TRACT. FS258 SHOWS THAT A 5/8" IRON PIN WAS SET AT THE S.W. CORNER OF VOL. 331, PG. 252, JCDR. HOWEVER THE FOUND 1" IRON PIPE FIT VERY CLOSELY TO MAP POSITION WEST OF THE S.E. COR. OF THE N.E. 1/4 OF THE N.W. 1/4 AS WELL AS THE SOUTH LINE OF SAID 1/4 1/4 PER FS18298. THEREFORE I ACCEPT IT AS THE BEST AVAILABLE EVIDENCE OF THE S.W. CORNER OF VOL. 331, PG. 252, JCDR. WITH THE NORTHERLY AND SOUTHERLY LINES OF THE "FLAG POLE" POSITIONED, I SET WITNESS CORNER MONUMENTS APPROXIMATELY 30' FROM THE PHYSICAL CENTERLINE OF COLEMAN CREEK ROAD AS WELL AS AT THE ANGLE POINTS TO THE WEST. TEMPORARY 60D NAILS WERE SET ALONG THE TWO LINES AS SHOWN HEREON.

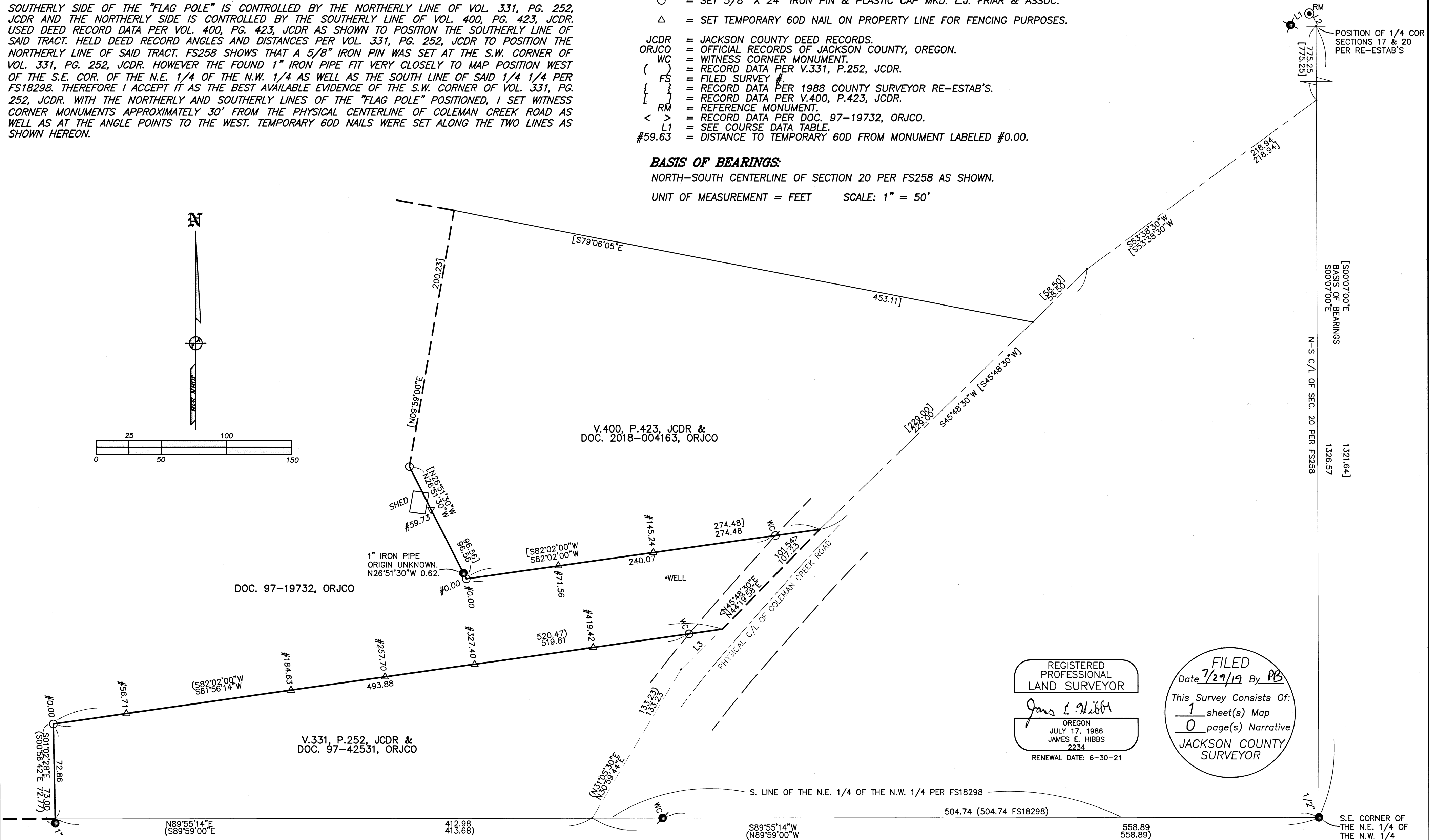
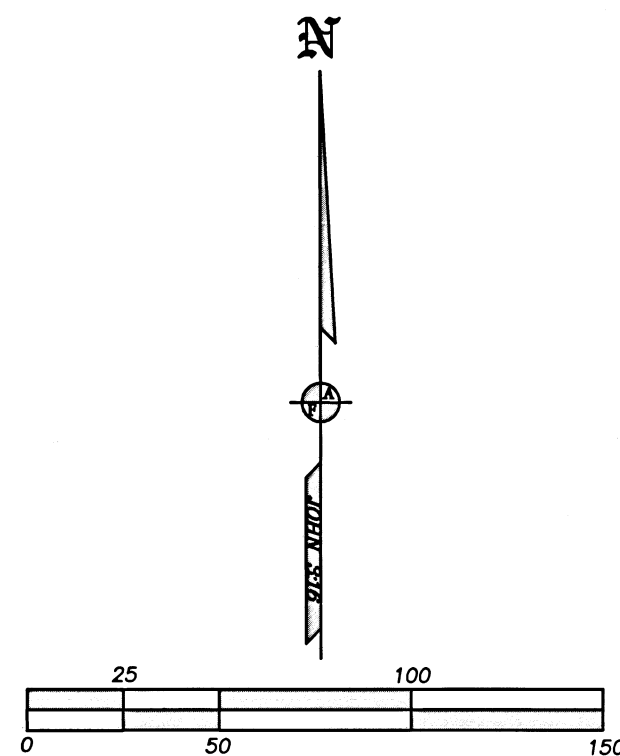
LEGEND:

- ⊙ = FD. COUNTY SURVEYOR'S BRASS CAPPED RM PER 1988 RE-ESTAB'S.
- = FD. IRON PIPE SIZE AS NOTED. SEE FS258.
- ⊗ = FD. 5/8" IRON PIN & PLASTIC CAP MKD. KAISER RLS803 PER FS18298.
- ⊗ = FD. 5/8" IRON PIN & PLASTIC CAP RM MKD. JACKSON C.S. PER 1988 RE-ESTAB'S.
- = SET 5/8" X 24" IRON PIN & PLASTIC CAP MKD. L.J. FRIAR & ASSOC.
- △ = SET TEMPORARY 60D NAIL ON PROPERTY LINE FOR FENCING PURPOSES.

- JCDR = JACKSON COUNTY DEED RECORDS.
- ORJCO = OFFICIAL RECORDS OF JACKSON COUNTY, OREGON.
- WC = WITNESS CORNER MONUMENT.
- () = RECORD DATA PER V.331, P.252, JCDR.
- { } = FILED SURVEY #.
- [] = RECORD DATA PER 1988 COUNTY SURVEYOR RE-ESTAB'S.
- [] = RECORD DATA PER V.400, P.423, JCDR.
- RM = REFERENCE MONUMENT.
- < > = RECORD DATA PER DOC. 97-19732, ORJCO.
- L1 = SEE COURSE DATA TABLE.
- #59.63 = DISTANCE TO TEMPORARY 60D FROM MONUMENT LABELED #0.00.

BASIS OF BEARINGS:

NORTH-SOUTH CENTERLINE OF SECTION 20 PER FS258 AS SHOWN.
 UNIT OF MEASUREMENT = FEET SCALE: 1" = 50'



REGISTERED
 PROFESSIONAL
 LAND SURVEYOR
James E. Hibbs
 OREGON
 JULY 17, 1986
 JAMES E. HIBBS
 2234
 RENEWAL DATE: 6-30-21

FILED
 Date 7/29/19 By PB
 This Survey Consists Of:
 1 sheet(s) Map
 0 page(s) Narrative
 JACKSON COUNTY
 SURVEYOR