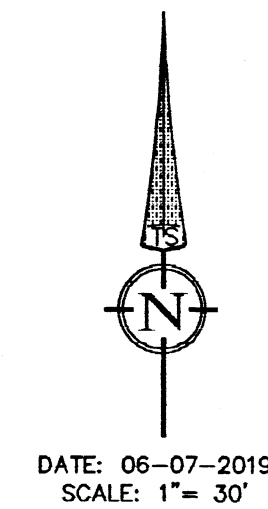


MAP OF SURVEY

535 ROCK STREET
ASHLAND, OREGON 97520

FOR
ANNE MARIE AVEGNO
535 ROCK STREET
ASHLAND, OREGON 97520

LOCATED IN THE SOUTHEAST QUARTER OF SECTION 5,
TOWNSHIP 39 SOUTH, RANGE 1 EAST,
WILLAMETTE MERIDIAN,
CITY OF ASHLAND, JACKSON COUNTY, OREGON



DATE: 06-07-2019
SCALE: 1" = 30'

FILED
Date 7/17/19 By PB
This Survey Consists Of:
1 sheet(s) Map
1 page(s) Narrative
JACKSON COUNTY
SURVEYOR

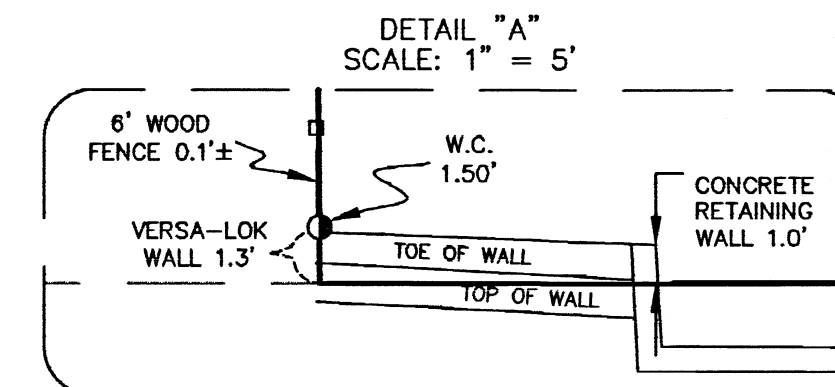
LEGEND

- ⊕ PROPERTY BOUNDARY LINE
- ⊕ FOUND 3" BRASS CAP IN MONUMENT CASE OR AS NOTED
- ⊙ FOUND 2" BRASS CAP FLUSH STAMPED "CITY OF ASHLAND SURVEY MARKER" AS NOTED
- ⊙ FOUND 3" BRONZE DISC IN CONCRETE, 0.5' BELOW GRADE PER S/N 9891
- ⊙ FOUND TACK IN LEAD PLUG WITH BRASS TAG STAMPED "LS 759" IN PAVEMENT PER S/N 9891
- SET 5/8" X 24" REBAR WITH YELLOW PLASTIC CAP, 0.1' BELOW GROUND, STAMPED "DROSSOS LS 90718"
- S/N SURVEY NUMBER, ON FILE IN THE OFFICE OF THE JACKSON COUNTY SURVEYOR, JACKSON COUNTY, OREGON
- W.C. WITNESS CORNER
- (R1) RECORD DATA PER COOLIDGE'S TRACT
- (R2) RECORD DATA PER S/N 9891
- (R3) RECORD DATA PER S/N 4378
- (R4) RECORD DATA PER S/N 20995

SURVEY NARRATIVE TO COMPLY WITH O.R.S. 209.250

PURPOSE:
TO SURVEY AND MONUMENT THE BOUNDARY OF THAT TRACT OF LAND DESCRIBED IN INSTRUMENT NUMBER 2017-042300 OF THE OFFICIAL RECORDS OF JACKSON COUNTY, OREGON.

PROCEDURE:
USING A TRIMBLE S6 ROBOTIC TOTAL STATION AND TRIMBLE R-10 GPS RECEIVERS, I RECOVERED AND TIED ACCEPTED STREET MONUMENTS AS SHOWN HEREIN TO CONTROL BLOCK 36 OF THE COOLIDGE'S TRACT. I ESTABLISHED THE SIDELINES OF BLOCK 36 AT RECORD RIGHT-OF-WAY WIDTHS. I THEN PROPORTION THE LOTS WITHIN SAID BLOCK AGAINST THE ORIGINAL MAP OF COOLIDGE'S TRACT AND SET MONUMENTS AS SHOWN.



REGISTERED
PROFESSIONAL
LAND SURVEYOR

OREGON
JULY 12, 2018
PHILIP J. DROSSOS
No. 90718

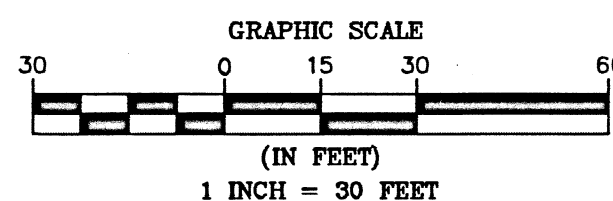
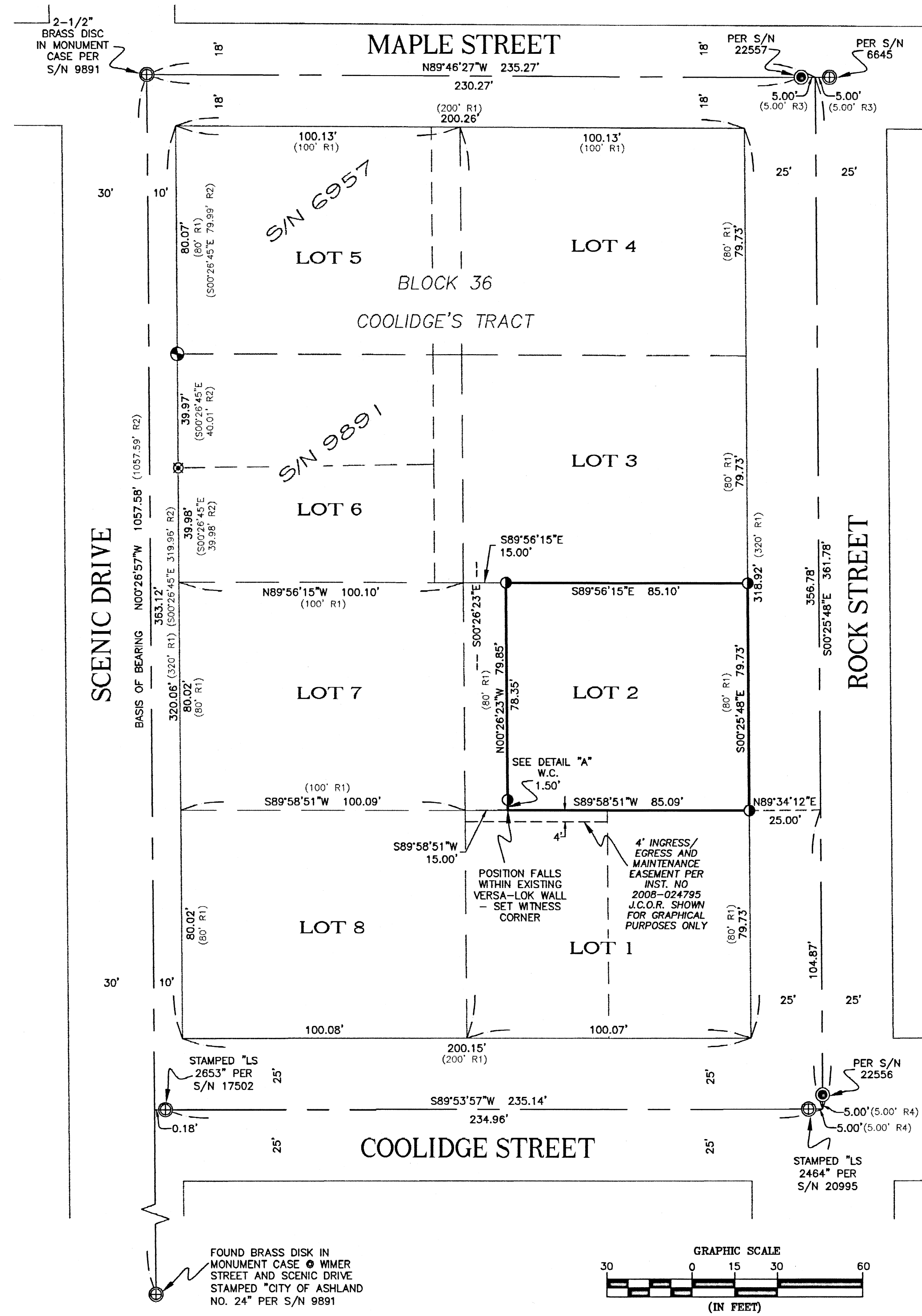
Renewal 12-31-19

TERRASURVEY, INC.

PROFESSIONAL LAND SURVEYORS

274 FOURTH STREET
ASHLAND, OREGON 97520

(541) 482-6474
terrain@bisp.net
JOB NO. 1240-19



BASIS OF BEARING WAS DETERMINED BY HIGH PRECISION GPS OBSERVATIONS APPLIED TO THE LINE BETWEEN THE 3" BRASS CAP IN A MONUMENT CASE @ WIMER STREET AND SCENIC DRIVE AND THE 2-1/2" BRASS CAP IN A MONUMENT CASE @ MAPLE STREET AND SCENIC DRIVE RESULTING IN A BEARING OF N00°26'57"W.