

**SURVEY FOR:**  
DONNA TUMEY  
757 RAGSDALE ROAD  
TRAIL, OR 97541

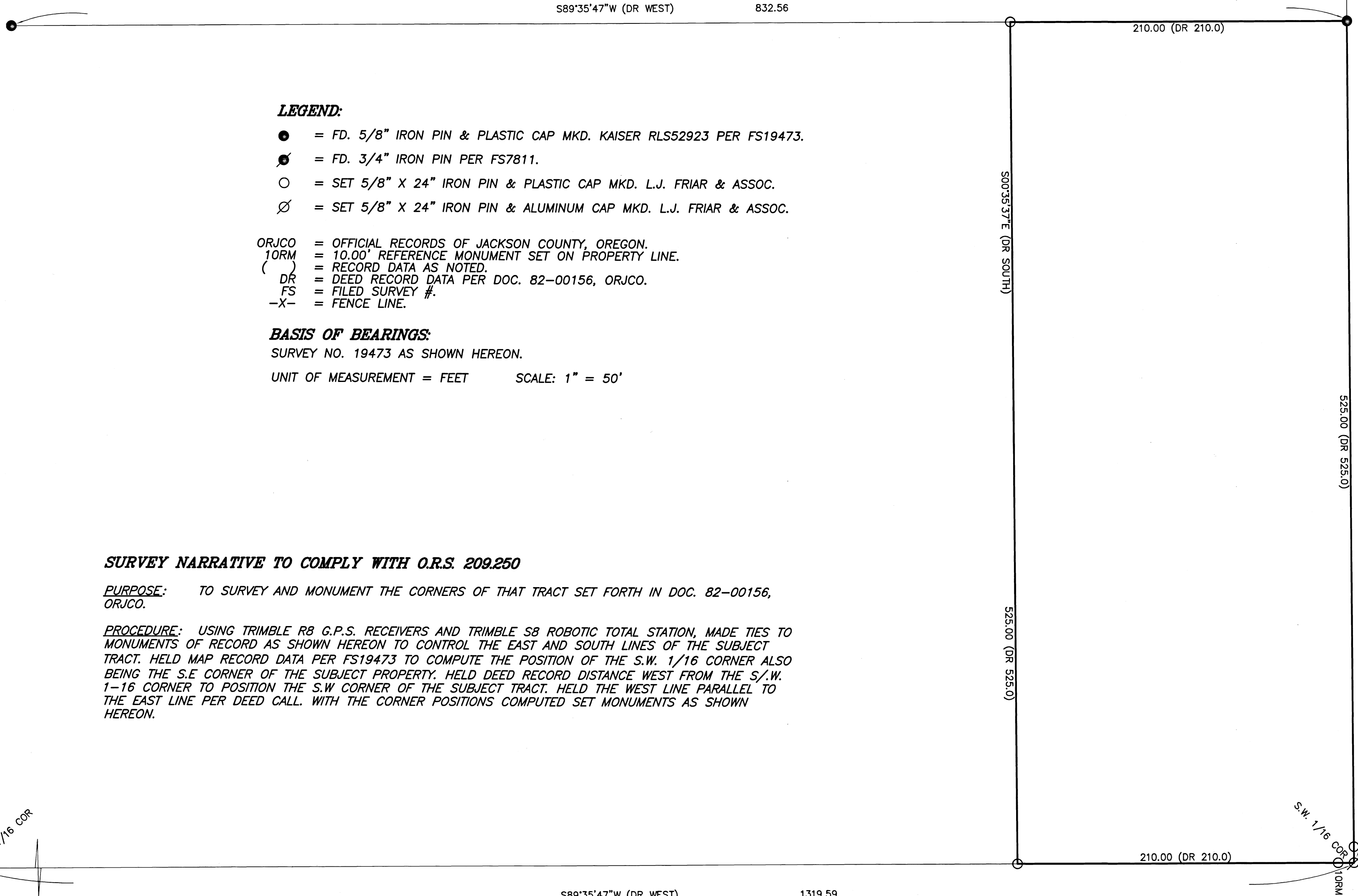
**SURVEY BY:**  
L.J. FRIAR & ASSOCIATES, P.C.  
CONSULTING LAND SURVEYORS  
PO BOX 1947  
PHOENIX, OR 97535  
PHONE: (541) 772-2782  
EMAIL: LJFRIAR@CHARTER.NET

**DATE:**  
NOVEMBER 2, 2018

# MAP OF SURVEY

Located in the S.W. 1/4 of Sec. 3, T.34S., R.1W., W.M.  
Jackson County, Oregon

FS19473, 196141 & 20368



**LEGEND:**

- = FD. 5/8" IRON PIN & PLASTIC CAP MKD. KAISER RLS52923 PER FS19473.
- ⊙ = FD. 3/4" IRON PIN PER FS7811.
- = SET 5/8" X 24" IRON PIN & PLASTIC CAP MKD. L.J. FRIAR & ASSOC.
- ∅ = SET 5/8" X 24" IRON PIN & ALUMINUM CAP MKD. L.J. FRIAR & ASSOC.

- ORJCO = OFFICIAL RECORDS OF JACKSON COUNTY, OREGON.
- 10RM = 10.00" REFERENCE MONUMENT SET ON PROPERTY LINE.
- ( ) = RECORD DATA AS NOTED.
- DR = DEED RECORD DATA PER DOC. 82-00156, ORJCO.
- FS = FILED SURVEY #.
- X- = FENCE LINE.

**BASIS OF BEARINGS:**

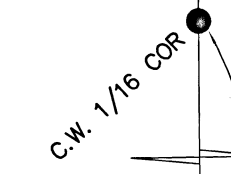
SURVEY NO. 19473 AS SHOWN HEREON.

UNIT OF MEASUREMENT = FEET      SCALE: 1" = 50'

**SURVEY NARRATIVE TO COMPLY WITH O.R.S. 209.250**

**PURPOSE:** TO SURVEY AND MONUMENT THE CORNERS OF THAT TRACT SET FORTH IN DOC. 82-00156, ORJCO.

**PROCEDURE:** USING TRIMBLE R8 G.P.S. RECEIVERS AND TRIMBLE S8 ROBOTIC TOTAL STATION, MADE TIES TO MONUMENTS OF RECORD AS SHOWN HEREON TO CONTROL THE EAST AND SOUTH LINES OF THE SUBJECT TRACT. HELD MAP RECORD DATA PER FS19473 TO COMPUTE THE POSITION OF THE S.W. 1/16 CORNER ALSO BEING THE S.E. CORNER OF THE SUBJECT PROPERTY. HELD DEED RECORD DISTANCE WEST FROM THE S./W. 1-16 CORNER TO POSITION THE S.W. CORNER OF THE SUBJECT TRACT. HELD THE WEST LINE PARALLEL TO THE EAST LINE PER DEED CALL. WITH THE CORNER POSITIONS COMPUTED SET MONUMENTS AS SHOWN HEREON.



800.615

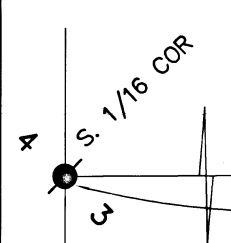
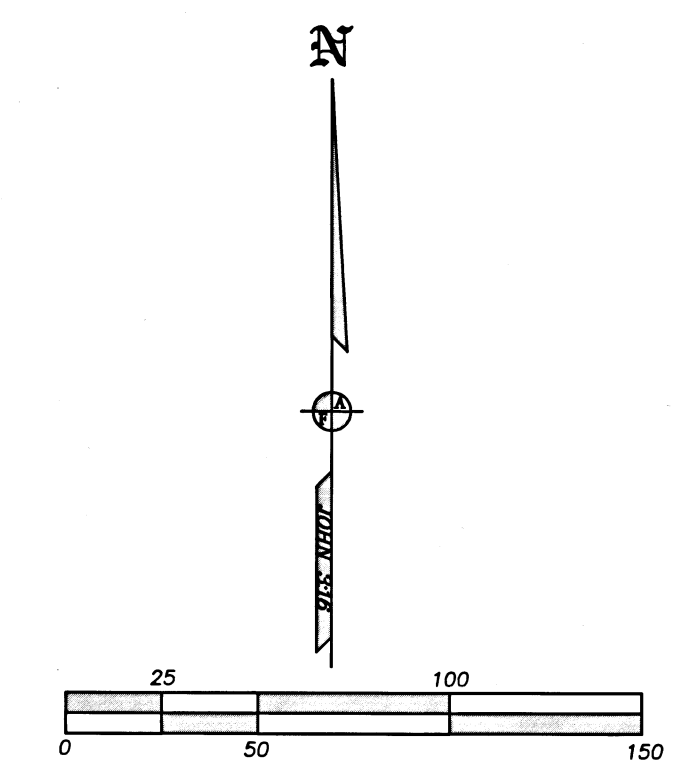
BASIS OF BEARINGS  
S00°35'37"E (DR SOUTH)

1325.615

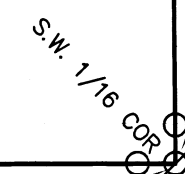
525.00 (DR 525.0)

S00°35'37"E (DR SOUTH)

525.00 (DR 525.0)



S89°35'47"W (DR WEST)      1319.59



10RM

341W03C TL2603

THIS PLAT WAS PREPARED USING AN EPSON SC-T5200 WITH EPSON T6925 INK ON CONTINENTAL JPC4M2 POLYESTER FILM.

REGISTERED PROFESSIONAL LAND SURVEYOR

*James E. Hibbs*

OREGON  
JULY 17, 1986  
JAMES E. HIBBS  
2234

RENEWAL DATE: 6-30-19

FILED  
Date 12/11/18 By PB

This Survey Consists Of:  
1 sheet(s) Map  
0 page(s) Narrative

JACKSON COUNTY SURVEYOR