

SURVEY FOR:
MICHAEL NEUWERTH
1849 ROGUE RIVER DRIVE
EAGLE POINT, OR 97524

SURVEY BY:
L.J. FRIAR & ASSOCIATES, P.C.
CONSULTING LAND SURVEYORS
PO BOX 1947
PHOENIX, OR 97535
PHONE: (541) 772-2782
EMAIL: LJFRIAR@CHARTER.NET

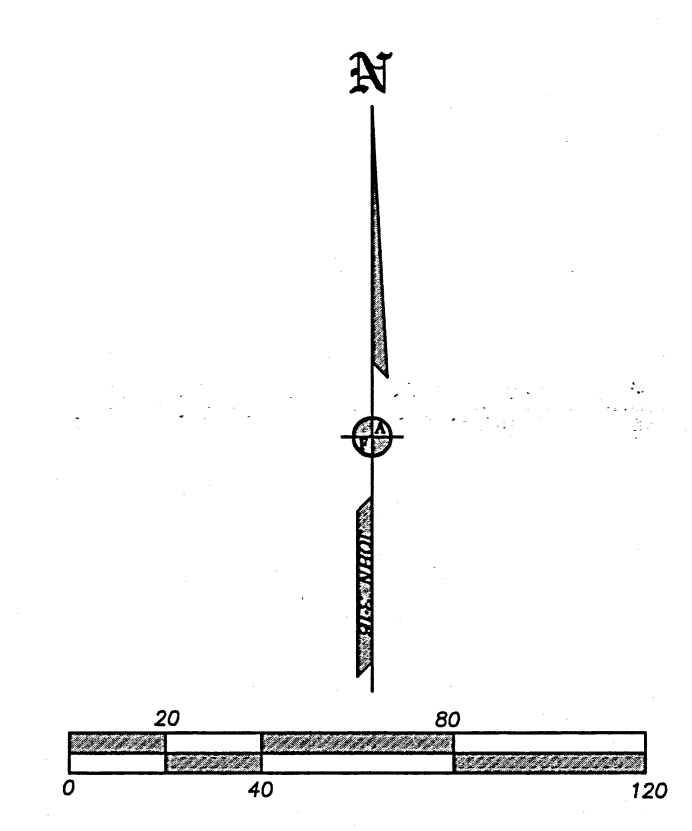
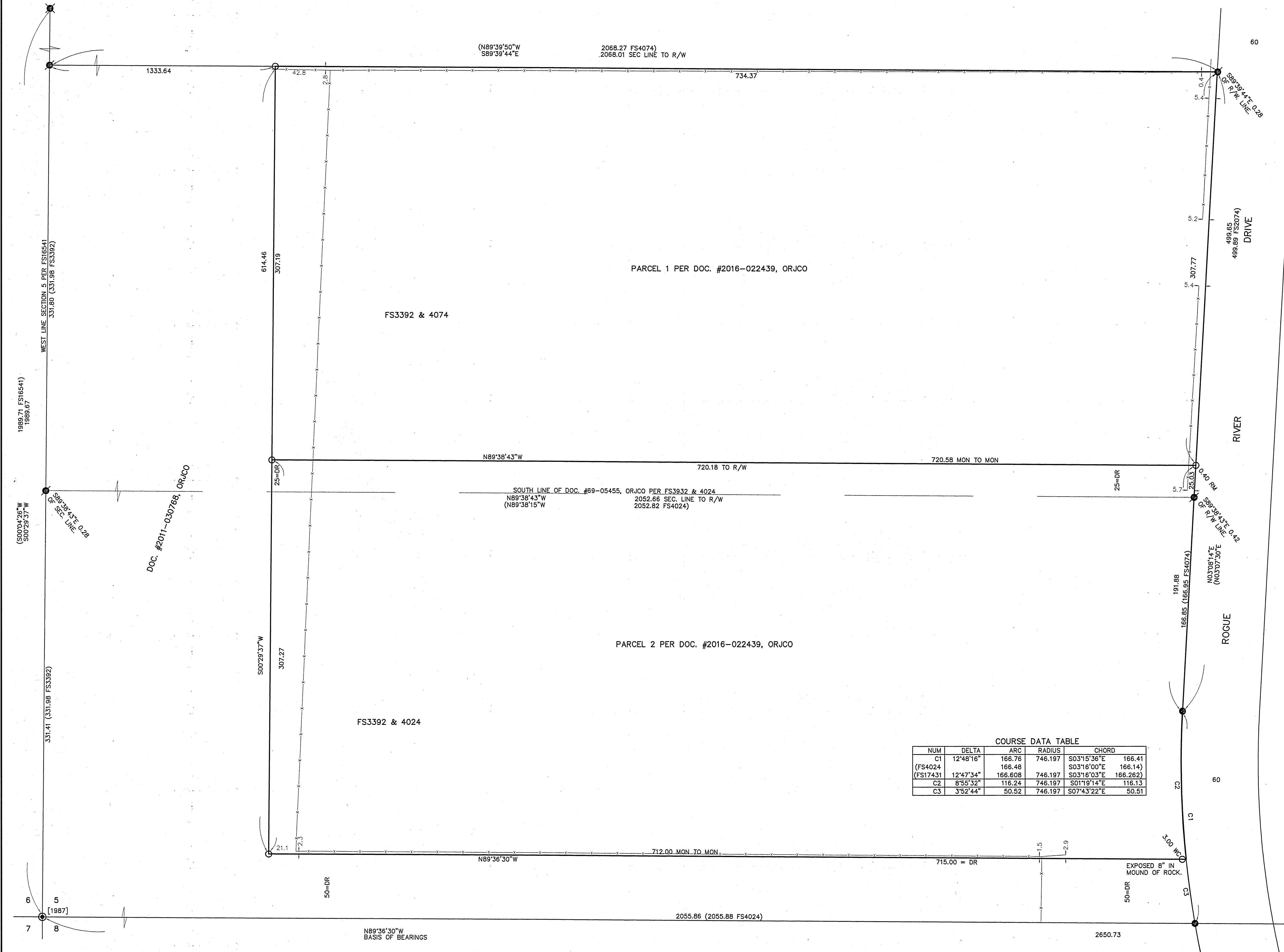
DATE:
FEBRUARY 10, 2017

MAP OF SURVEY

Located in the S.W. 1/4 of Sec. 5, T.35S, R.1W, W.M.
Jackson County, Oregon

- LEGEND:**
- ⊙ = FD. COUNTY SURVEYOR'S BRASS CAPPED MONUMENT PER [YEAR] RE-ESTAB'S.
 - = FD. 5/8" IRON PIN PER FS4024 OR 4074.
 - ⊗ = FD. 1/2" IRON PIPE PER FS3392.
 - ⊗ = FD. 5/8" IRON PIN & PLASTIC CAP MKD. BAROTT LS2332 PER FS16541.
 - = SET 5/8" X 24" IRON PIN & PLASTIC CAP MKD. L.J. FRIAR & ASSOC.
- R/W = RIGHT OF WAY LINE.
ORJCO = OFFICIAL RECORDS OF JACKSON COUNTY, OREGON.
WC = WITNESS CORNER MONUMENT.
() = RECORD DATA PER DOC. 2016-022439, ORJCO OR AS NOTED.
DR = DEED RECORD DATA PER DOC. 2016-022439, ORJCO.
FS = FILED SURVEY #.
RM = REFERENCE MONUMENT.
-X- = FENCE LINE.
C1 = SEE COURSE DATA TABLE.

BASIS OF BEARINGS:
SOUTH LINE OF SECTION 5 PER FS4024 AS SHOWN.
UNIT OF MEASUREMENT = FEET SCALE: 1" = 40'



COURSE DATA TABLE

NUM	DELTA	ARC	RADIUS	CHORD
C1	12°48'16"	166.76	746.197	S03°15'36"E 166.41
(FS4024)		166.48		S03°16'00"E 166.14
(FS17431)	12°47'34"	166.608	746.197	S03°16'03"E 166.282
C2	8°55'32"	116.24	746.197	S01°19'14"E 116.13
C3	3°52'44"	50.52	746.197	S07°43'22"E 50.51

SURVEY NARRATIVE TO COMPLY WITH O.R.S. 209.250.

PURPOSE: TO SURVEY AND MONUMENT THE CORNERS OF PARCELS 1 AND 2 PER DOC. 2016-022439, ORJCO.

PROCEDURE: USING TRIMBLE R6 & R8 G.P.S. RECEIVERS, MADE TIES TO MONUMENTS OF RECORD AS SHOWN HEREON TO CONTROL THE R/W AND THE SUBJECT TRACT. COMPUTED A POINT OF INTERSECTION OF THE WESTERLY R/W OF ROGUE RIVER DRIVE WITH A LINE BEING 50' NORTH OF THE SOUTH LINE OF SECTION 5. THIS POINT BEING THE POINT OF BEGINNING FOR THE SUBJECT PARCELS. HELD DEED RECORD DISTANCE WEST FROM THIS POINT TO POSITION THE SW CORNER. HELD THE WEST LINE PARALLEL TO THE WEST LINE OF SECTION 5 PER DEED. THE DIVIDING LINE WAS POSITIONED 25' NORTH OF THE SOUTH LINE OF DOC. 69-05455, ORJCO PER DEED. WITH THE BOUNDARIES RESOLVED, I SET MONUMENTS AT THE LOCATIONS AS SHOWN HEREON.

REGISTERED PROFESSIONAL LAND SURVEYOR
 This Survey Consists Of:
 1 sheet(s) Map
 0 page(s) Narrative
 JACSON COUNTY SURVEYOR
 JAMES E. HIBBS
 JULY 17, 1988
 224
 RENEWAL DATE: 6-30-17

FILED
 Date 4/11/17 By JB
 JACKSON COUNTY SURVEYOR