

MAP OF SURVEY

located in the  
SOUTHEAST QUARTER OF SECTION 34,  
TOWNSHIP 34 SOUTH, RANGE 1 EAST,  
WILLAMETTE MERIDIAN, JACKSON COUNTY, OREGON

for  
**SHAD VAUGHAN**

9500 BUTTE FALLS HIGHWAY  
EAGLE POINT, OREGON 97524

LEGEND

- ⊠ = FOUND SECTION CORNER, AS DESCRIBED
- ⊗ = FOUND 1/4 SECTION CORNER, AS DESCRIBED
- = FOUND MONUMENT, AS DESCRIBED
- = SET 5/8" IRON PIN REFERENCE POINT AS DESCRIBED
- ⊙ = SET 5/8" x 30" IRON PIN w/ 1 1/2" ALUMINIUM CAP AS DESCRIBED
- S/N = RECORD FILED SURVEY NUMBER
- J.C.R.N. = JACKSON COUNTY REESTABLISHMENT NOTES
- RECORD SURVEY DATA IS SHOWN IN PARENTHESIS ADJACENT TO MEASURED SURVEY DATA WHERE APPLICABLE.

SURVEY NARRATIVE  
TO COMPLY WITH O.R.S. 209.250

**Purpose:** The purpose of this survey is to monument and mark the land described in Instrument No. 2014-029011, recorded in the Official Records of Jackson County, Oregon.

**Procedure:** This survey was conducted using Trimble GPS 5800 and R-8 receivers and Trimble 5600 robotic total station. The found corners were tied in a closed survey and per the Jackson County corner reestablishment notes, the BLM, and the previously filed surveys in the area. We established the necessary lines to set the two monuments on the north line of said property. The northwest corner was set at the intersection of the N-S centerline and the E-W centerline of section 34. The northeast corner of this property was set at the midpoint of the east half of the E-W centerline of said section. The bearing trees for the C 1/4 were not scribed due to the location of the existing house (landscaping trees), tags were set on the trees referenced. We found and accepted the position of a 1" square bolt marking the SE 1/16 corner of the subject property (origin unknown). The acceptance of this corner is verified by the tie we made to the SE section corner and the math reported on S/N 21632 meeting accepted survey tolerances. We did not visit the S 1/16 of section 34-35 that or the E 1/16 of 34-3. The dimensions between the tied 1/4 corners and the SE section corner match all records for the mathematic location shown hereon. We also found a 5/8" iron pin 2.28 feet from the CS 1/16 location. There is no record of for this monument and the mathematic location does not match the consistency shown by other tied monuments, therefore it is shown as a reference.

Surveyed by:  
FARBER & SONS, INC. dba



PO BOX 5286  
431 OAK STREET  
CENTRAL POINT, OREGON 97502  
(541) 664-5599

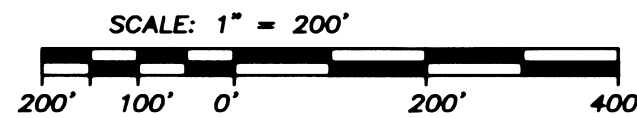
DATE: SEPTEMBER 10, 2015  
JOB NO.: 2015-2391  
DRAWING FILE: JOBS\Shady Cove NE Co\butte falls hwy\  
9500 Butte Falls Hwy\MAP OF SURVEY.DWG

DRAWN BY: LSH ORIG. DATE: 09/10/2015 REVISED BY: hof DATE: 11-27-15

FILED  
DATE 12/23/15 BY PB  
This survey consists of:  
1 sheet(s) Map  
0 page(s) Narrative  
JACKSON COUNTY  
SURVEYOR

REGISTERED  
PROFESSIONAL  
LAND SURVEYOR

OREGON  
JULY 26, 1985  
HERBERT A. FARBER  
2189  
RENEWAL DATE 12-31-15



BASIS OF BEARING  
IS TRUE NORTH, NAD  
83/91 DATUM, AS  
DERIVED BY GLOBAL  
POSITIONING SYSTEM  
OBSERVATIONS.

REFERENCE POINTS FOR THE CE 1/16 OF SECTION 34:

- SET 5/8" IRON PIN WITH 1 1/2" ALUMINIUM CAP STAMPED " FARBER RP PLS2189" BEARS S27°01'57"W, 44.90'
- SET 5/8" IRON PIN WITH 1 1/2" ALUMINIUM CAP STAMPED " FARBER RP PLS2189" BEARS S42°03'27"E, 48.70'
- FOUND 1/2" INCH IRON PIPE BEARS N14°30'41"E, 15.25'

2 1/2" JACKSON COUNTY  
SURVEYOR BRASS CAP PER  
J.C.R.N. OCTOBER 2, 1986

FOUND 1/2" IRON PIPE SHOWN  
AS FOUND ON S/N 467.

BEARING TREE TAGS PLACED FOR C 1/4 OF SECTION 34:

- 12" WHITE OAK BEARS NORTH 24°54'22" WEST, 91.83'
- 7" WHITE OAK BEARS NORTH 21°49'52" WEST, 61.03'
- 29" FIR BEARS SOUTH 54°00'10" WEST, 123.53'
- 12" PINE BEARS SOUTH 26°03'21" EAST, 38.90'

ENCROACHMENT  
SEE DETAIL

STAMPED " FARBER, CE  
1/16, 2015, PLS 2189"

STAMPED " FARBER, CE  
1/16, 2015, PLS 2189"

STAMPED " FARBER, C  
1/4, 2015, PLS 2189"

N89°49'36"W  
1329.36

(N89°49'35"W)  
(1329.92)  
(S/N 21632)

5/8" IRON PIN  
PER S/N 6463

CW 1/16

C 1/4

246'

(N89°49'35"W 1329.955 S/N 21632)

N89°49'36"W  
1329.95

(N89°49'35"W)  
(1329.955)  
(S/N 21632)

3" B.L.M. BRASS  
CAP STAMPED 2001

35

34

(N0°09'04"E 5300.79 S/N 21632)  
(N0°08'59"E 5300.65)

NW 1/4 OF SE 1/4

N0°07'57"E 1320.54  
(N0°07'56"E 1320.60 S/N 21632)

(S/N 21632)  
(1320.99)

1320.93 Calculated

(S0°06'55"W 2641.86)

(S0°06'20"W 2641.87 S/N 21632)

FOUND 1" SQUARE BOLT  
(NOT OF RECORD)

FOUND 5/8" IRON PIN W/ NO CAP  
BEARS N 02°34'46" W 2.28' FROM  
THE CALCULATED CORNER

S89°48'36"E 1330.35

(S/N 21632)  
(S89°48'36"E)  
(1330.21)

CS 1/16

(S89°48'34"E 1330.39 S/N 21632)

SE 1/16

S89°48'36"E  
1330.35

(S/N 21632)  
(1320.88)

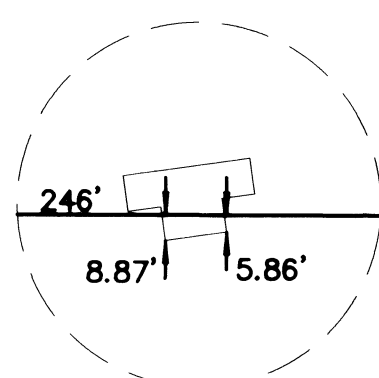
1320.93 Calculated

(S/N 21632)  
(S0°07'56"W)  
(1320.54)

S0°07'57"W  
1320.54

(1330.82 S/N 21632)  
1330.75 Calculated

DETAIL (NOT TO SCALE):  
ENCROACHMENT - BARN



2 1/2" JACKSON COUNTY  
SURVEYOR BRASS CAP PER  
J.C.R.N. APRIL 25, 1974

N89°47'37"W, 2661.50  
(N89°47'37"W S/N 21632)

2 1/2" JACKSON COUNTY  
SURVEYOR BRASS CAP PER  
J.C.R.N. AUGUST 1, 1984