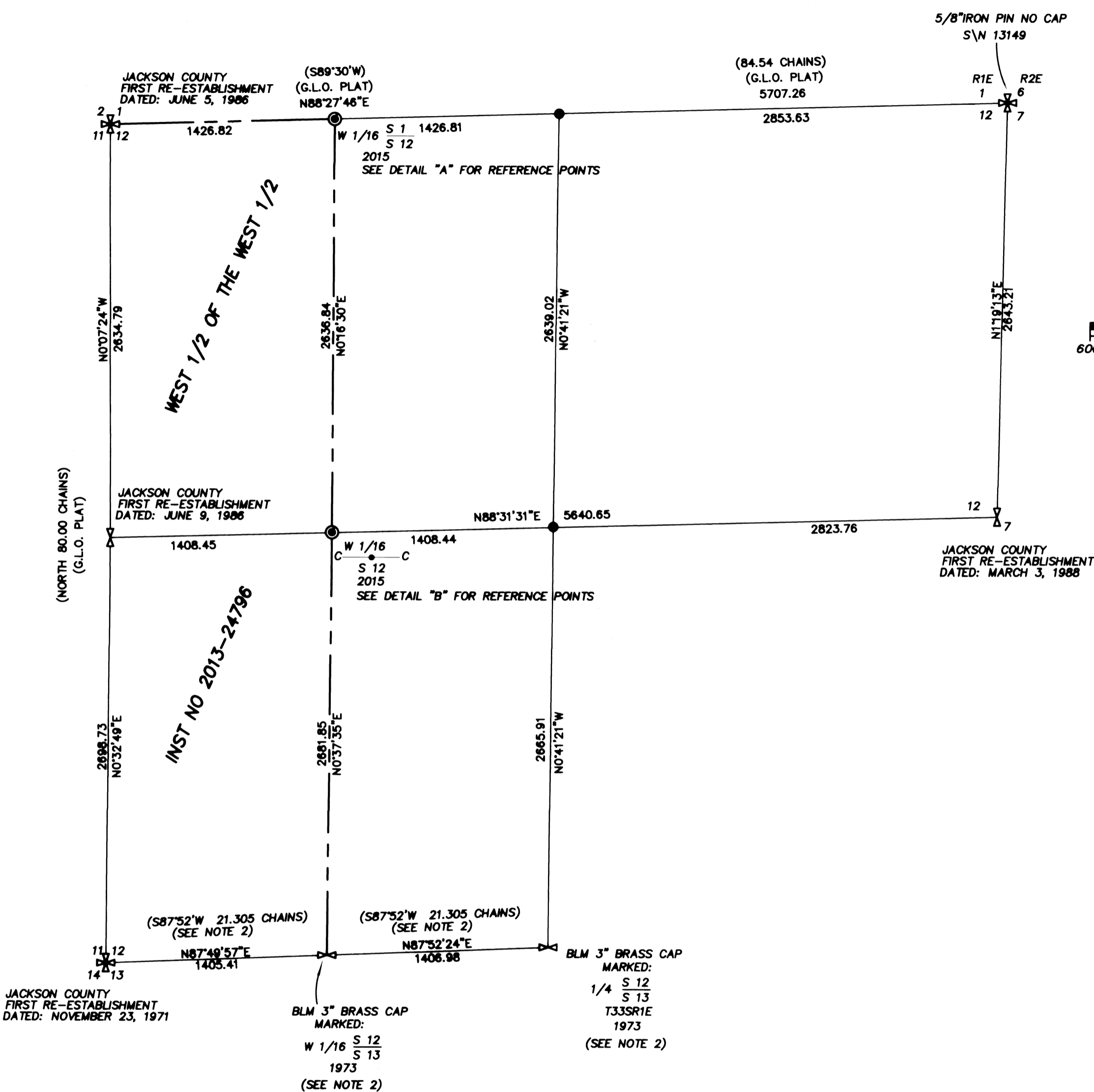


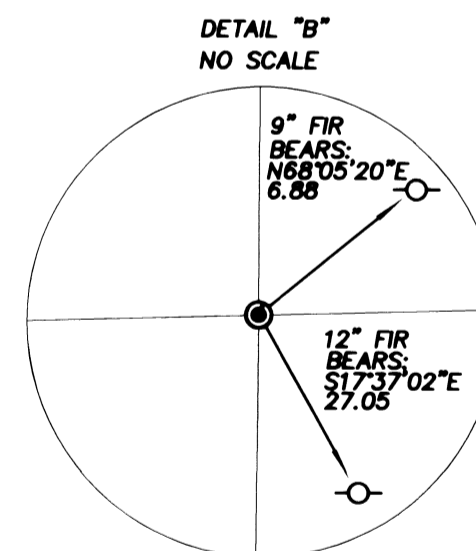
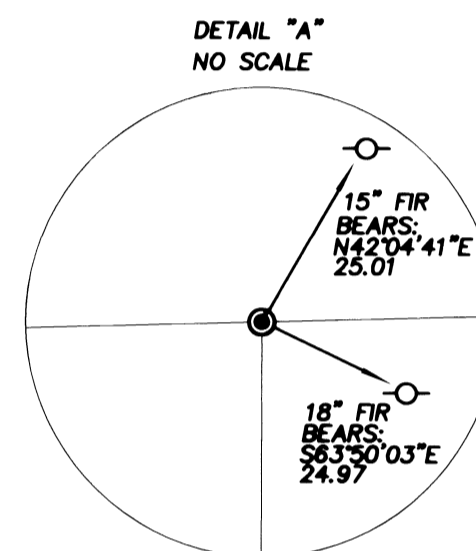
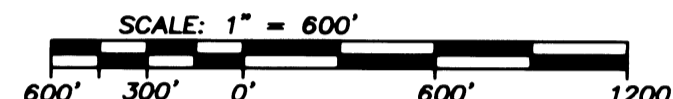
**MAP OF SURVEY**  
 located in the  
 SECTION 12  
 TOWNSHIP 33 SOUTH, RANGE 1 EAST,  
 WILLAMETTE MERIDIAN, JACKSON COUNTY, OREGON

for  
**HANCOCK FOREST  
 MANAGEMENT INC.**

572 PARSONS DRIVE, STE 124  
 MEDFORD, OREGON 97501



BASIS OF BEARING  
 IS TRUE NORTH,  
 NAD 83/91 DATUM,  
 AS DERIVED BY  
 GLOBAL  
 POSITIONING SYSTEM  
 OBSERVATIONS.



**LEGEND**

- ⊕ = FOUND 2 1/2" BRASS CAP - SECTION CORNER OR AS DESCRIBED
- ⊗ = FOUND 2 1/2" BRASS CAP-1/4 SECTION CORNER OR AS DESCRIBED
- ⊙ = SET 5/8" x 30" IRON PIN w/ 2" ALUMINUM CAP "FARBER PLS 2189", MARKED AS SHOWN
- = CALCULATED POSITION
- = REFERENCE POINT, AS DESCRIBED
- = LINES MARKED
- S/N = FILED SURVEY NUMBER JACKSON COUNTY SURVEYOR
- G.L.O. = GENERAL LAND OFFICE

- RECORD SURVEY DATA IS SHOWN IN PARENTHESIS ADJACENT TO MEASURED SURVEY DATA WHERE APPLICABLE.
- INST. NO. = INSTRUMENT NUMBER AS RECORDED IN THE OFFICIAL RECORDS OF JACKSON COUNTY, OREGON.

**SURVEY NARRATIVE  
 TO COMPLY WITH O.R.S. 209.250**

Purpose: This survey was conducted to establish and mark the lines shown hereon to Hancock Forest Management Inc. standards. The project name for this site is Fawn Butte.

Procedure: This survey was conducted using Trimble GPS receivers models 5800 and R-8, and a Trimble 5600 robotic total station. The survey was run as a closed traverse. An attempt to locate the North Quarter Corner of Section 12 was made by this office and the office of the County Surveyor. No evidence of the corner or accessories were found. At this time the corner is lost. The position of the North Quarter Corner was computed to be the midpoint between found section corners. Then the position of the Center Quarter of Section 12 was computed as the intersection of the quarter corner lines. The two 1/16th corners were subsequently computed and monumented as prescribed by the BLM 2009 Manual thereby establishing the boundary as shown hereon.

Surveyed by:  
 FARBER & SONS, INC. dba



PO BOX 5286  
 431 OAK STREET  
 CENTRAL POINT, OREGON 97502  
 (541) 664-5599

- NOTES:
1. INDICATED LINES WERE MARKED TO HANCOCK FOREST MANAGEMENT, INC. STANDARDS
  2. PER BLM SPECIAL INSTRUCTIONS DATED SEPTEMBER 20, 1973, WHICH PROVIDE FOR THE SURVEYS INCLUDED UNDER GROUP NUMBER 825, OREGON.

\*\* FILED \*\*  
 DATE 12/8/15 BY PB  
 This survey consists of:  
 1 sheet(s) Map  
 2 page(s) Narrative  
 JACKSON COUNTY  
 SURVEYOR

REGISTERED  
 PROFESSIONAL  
 LAND SURVEYOR  
  
 OREGON  
 JULY 26, 1985  
 HERBERT A. FARBER  
 2189  
 RENEWAL DATE 12-31-15