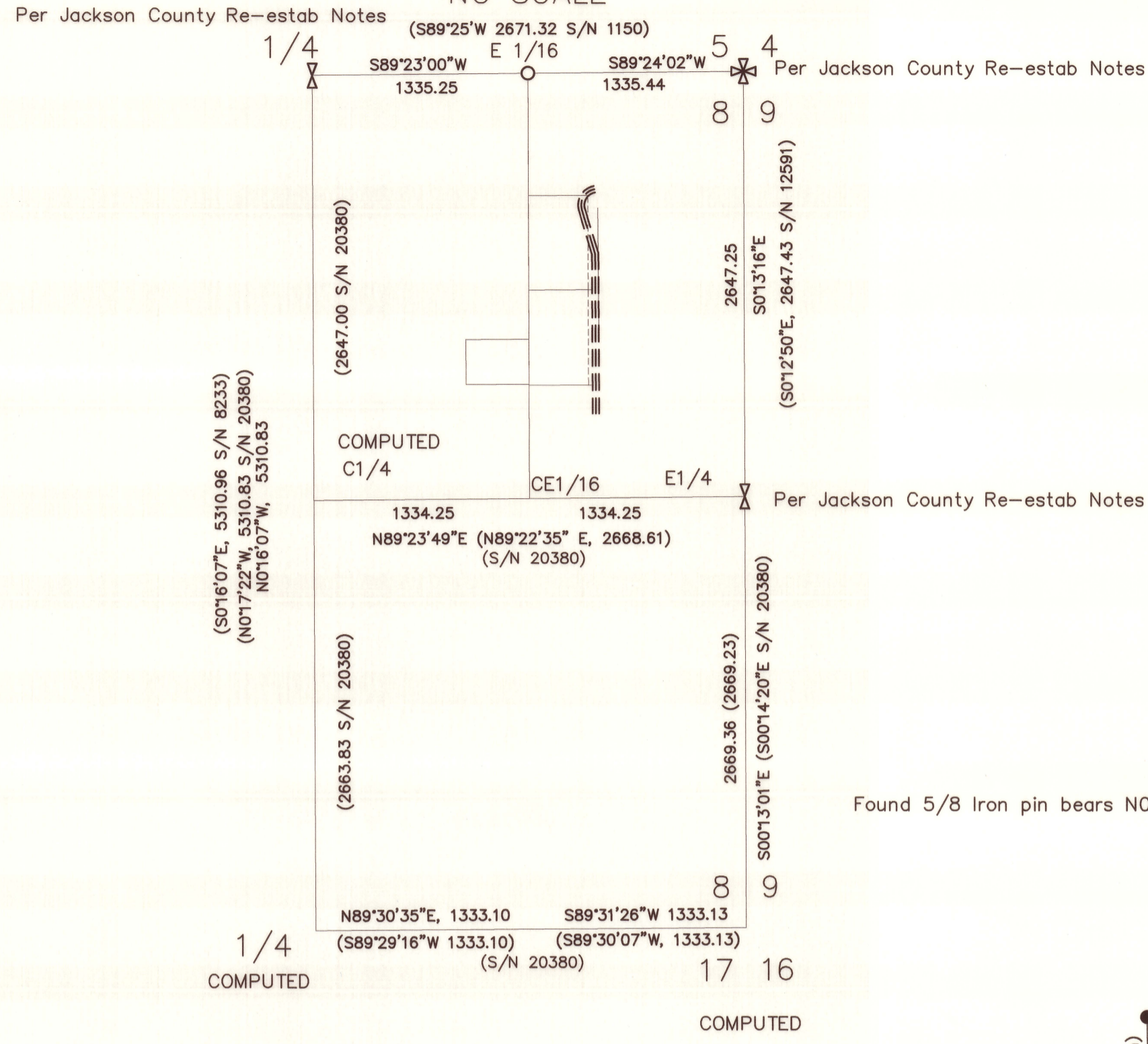


**SECTION BREAK DOWN
NO SCALE**



*Affidavit of Correction
Doc # 2015-019904
S/N # 21745 6/24/2015
C.S. S.Fein
* Also see S/N # 21743*

MAP OF SURVEY

located in the
NORTHEAST QUARTER OF SECTION 8,
TOWNSHIP 37 SOUTH, RANGE 2 WEST,
WILLAMETTE MERIDIAN, JACKSON COUNTY, OREGON
for

Randy Graves
3603 OLD MILITARY
MEDFORD, OREGON 97501

LEGEND

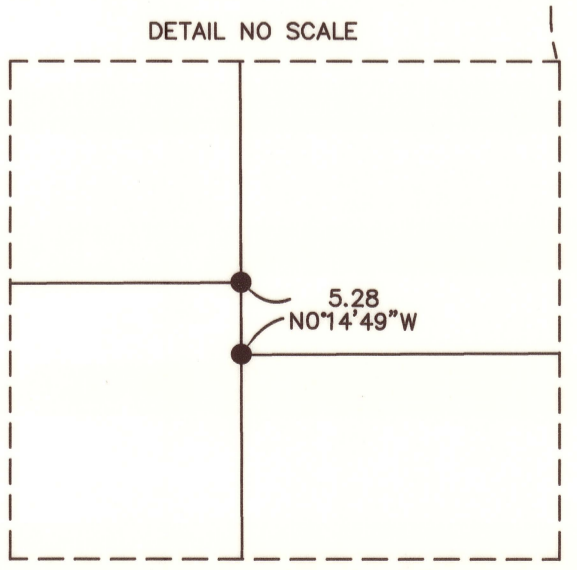
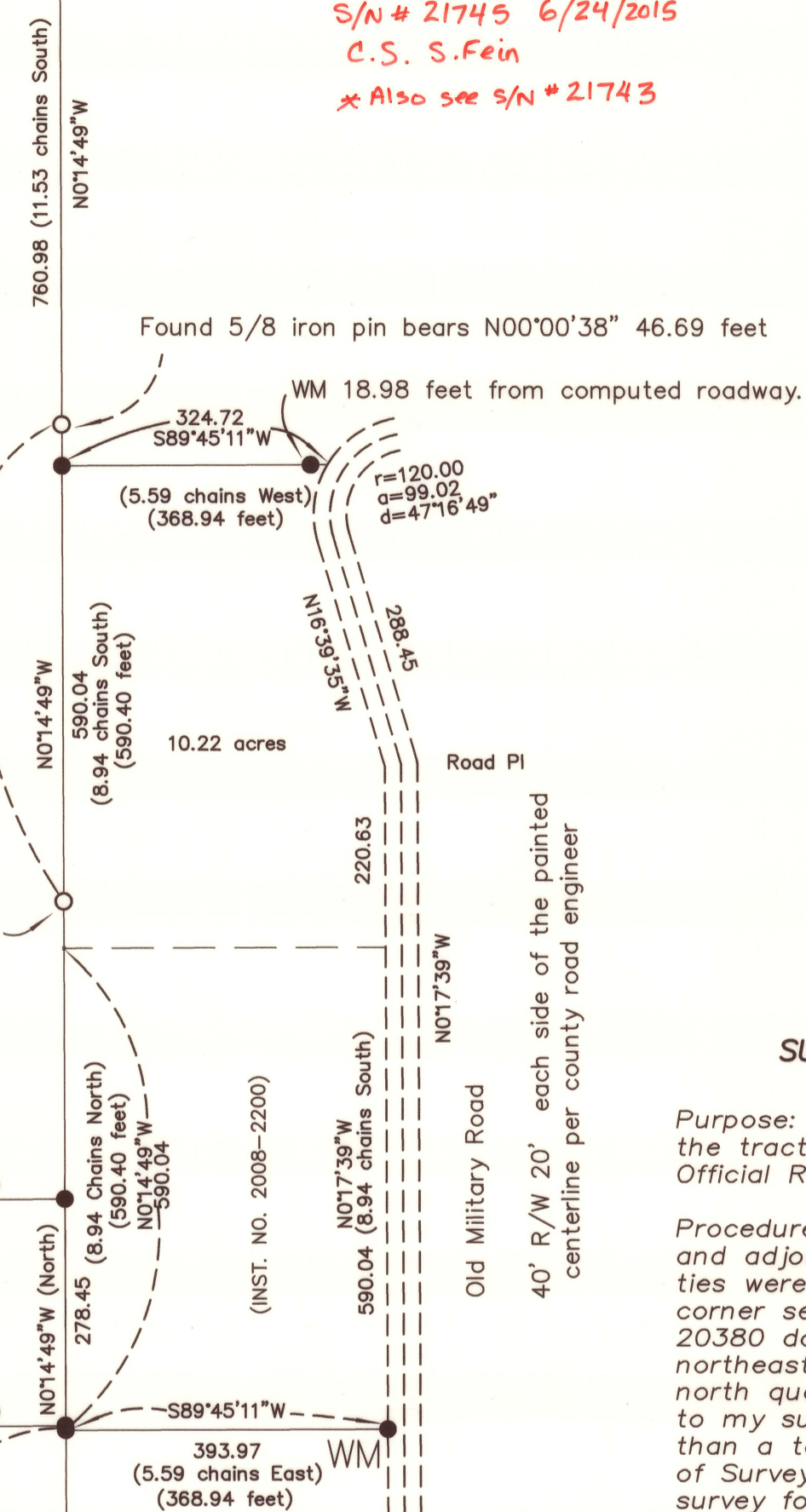
- ⊕ = FOUND 2 1/2" BRASS CAP - SECTION CORNER
- ⊗ = FOUND 2 1/2" BRASS CAP-1/4 SECTION CORNER
- = FOUND MONUMENT AS DESCRIBED
- = SET 5/8" x 24" IRON PIN w/ YELLOW PLASTIC CAP MARKED "FARBER PLS 2189"
- S/N = RECORD FILED SURVEY NUMBER
- W.M. = WITNESS MONUMENT TO EXISTING ROAD LOCATION
- RECORD SURVEY DATA IS SHOWN IN PARENTHESIS ADJACENT TO MEASURED SURVEY DATA PER INST NO 2008-2200 OR AS NOTED.
- INST. NO. = INSTRUMENT NUMBER AS RECORDED IN THE OFFICIAL RECORDS OF JACKSON COUNTY, OREGON.

SURVEY NARRATIVE TO COMPLY WITH ORS 209.250

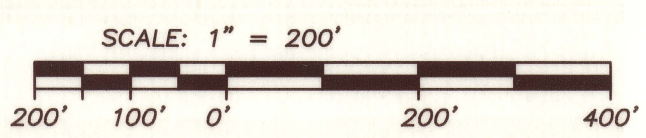
Purpose: This survey has been conducted to monument the boundary of the tracts of land described in Instrument No 2008-2200 recorded in the Official Records of Jackson County, Oregon.

Procedure: Utilizing control established on previous surveys in Section 8 and adjoining sections along with additional ties all shown hereon. These ties were made utilizing Trimble GPS Static and RTK survey equipment with corner sets using GPS and Trimble Robotic total station. I used Survey No 20380 data to compute the center 1/4 for the purpose of defining the northeast quarter being constrained to my survey ties to the east and north quarter corners of this section. After rotating the record survey data to my surveyed bearing between the surveyed corners my closure was less than a tenth of a foot when comparing the surveyed positions and those of Survey No 20380. Following this solution it was determined that addition survey for control was not necessary. It is my professional opinion that the tracts being described from the north and south ends of the north south centerline of the northeast quarter that their intent was to be along the centerline. The deeds are rotated to the north south centerline bearing. Following research to the petition location of the road way and discussion with the County Road Engineer the location of Old Military Road is based on the painted centerline as the best available evidence of the road way. The monuments set adjoining the roadway are noted as witness monuments because the road has not gone through a road legalization process.

E1/16 (Found 3/4" Pipe S/N 1150)



BASIS OF BEARING IS TRUE NORTH, NAD 83/91 DATUM, AS DERIVED BY GLOBAL POSITIONING SYSTEM OBSERVATIONS.



**** RECEIVED ****
DATE 9/1/13 BY RF
This survey consists of:
1 sheet(s) Map
0 page(s) Narrative
JACKSON COUNTY SURVEYOR

REGISTERED PROFESSIONAL LAND SURVEYOR

Herbert A. Farber

OREGON
JULY 26, 1985
HERBERT A. FARBER
2189

RENEWAL DATE 12-31-13

Surveyed by:
FARBER & SONS, INC. dba



PO BOX 5286
431 OAK STREET
CENTRAL POINT, OREGON 97502
(541) 664-5599

DATE: August 7 2013
JOB NO.: 2030-13

Old Military North\Graves Old Military Rd\MICRO\FINAL\MOS 082613.dwg
DRAWN BY: CGC ORIG. DATE: 8/9/13 | REVISED: HAF ORIG. DATE: 8/26/13