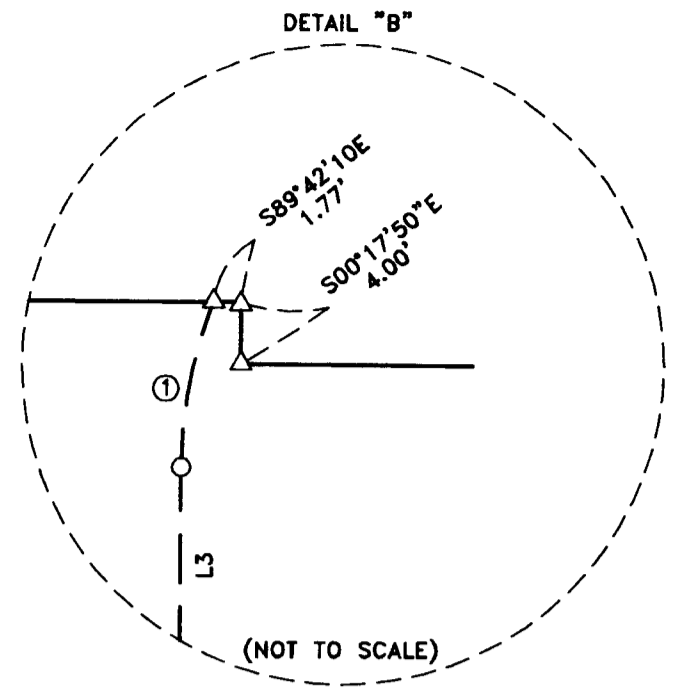
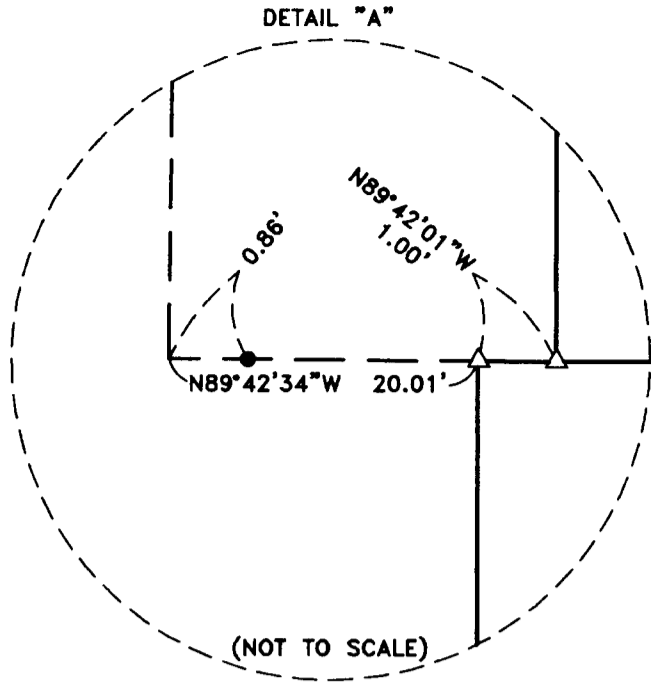


# MAP OF SURVEY

LOCATED IN:  
 THE NW 1/4 OF SECTION 33, T37S, R1W, WM.,  
 IN THE CITY OF MEDFORD, JACKSON COUNTY, OR.  
 FOR:  
**SOUTHERN OREGON ORTHOPEDICS GROUP, LLC.**  
 2780 EAST BARNETT ROAD  
 MEDFORD, OREGON 97504

**\*\* RECEIVED \*\***  
 Date: 7-20-08 By: *BB*  
 This survey consists of:  
 1 sheet(s) Map  
 2 page(s) Narrative  
 JACKSON COUNTY  
 SURVEYOR



LINE	LENGTH	BEARING
L1	22.33'	N00°10'00"W
L2	83.33'	N26°11'34"E
L3	29.57'	N00°02'50"E

CURVE	DELTA	RADIUS	LENGTH	CHORD	CHORD BEARING
1	21°33'07"	29.25	11.00	10.94	S10°49'24"W
2	09°59'42"	10.00	15.71	14.14	N45°18'14"E
3	26°08'44"	60.75	27.72	27.48	S13°07'12"W
4	18°02'20"	68.25	21.49	21.40	S09°04'00"W
5	31°49'05"	20.00	11.11	10.96	N15°59'03"W
6	32°11'58"	47.93	26.94	26.58	N15°47'34"W
7	90°00'20"	20.00	31.42	28.29	N44°41'45"W
8	90°21'38"	10.00	15.77	14.19	S45°07'16"W
9	26°21'34"	50.00	23.00	22.80	S13°00'47"W

**SURVEY NARRATIVE TO COMPLY WITH PARAGRAPH 209.250 OF THE OREGON REVISED STATUTES.**

**PURPOSE:** TO PREPARE MAP OF SURVEY TO MAKE OF RECORD MONUMENTS SET FOR A PROPOSED PROPERTY LINE ADJUSTMENT THAT HAS NOT BEEN COMPLETED AT THIS TIME.

**PROCEDURE:** UTILIZING INFORMATION AND FOUND MONUMENTATION PER FILED SURVEYS NO. 8351, 11592, 15105, 15321, AND 16698 FOR CONTROL, I ESTABLISH MONUMENTS AS SHOWN HEREON. AN ELECTRONIC TOTAL STATION WAS USED TO MAKE ALL MEASUREMENTS. INSTRUMENTS NO. 2004-000340 AND NO. 2007-039880 J.C.D.R. WERE USED FOR SUBJECT PROPERTIES.

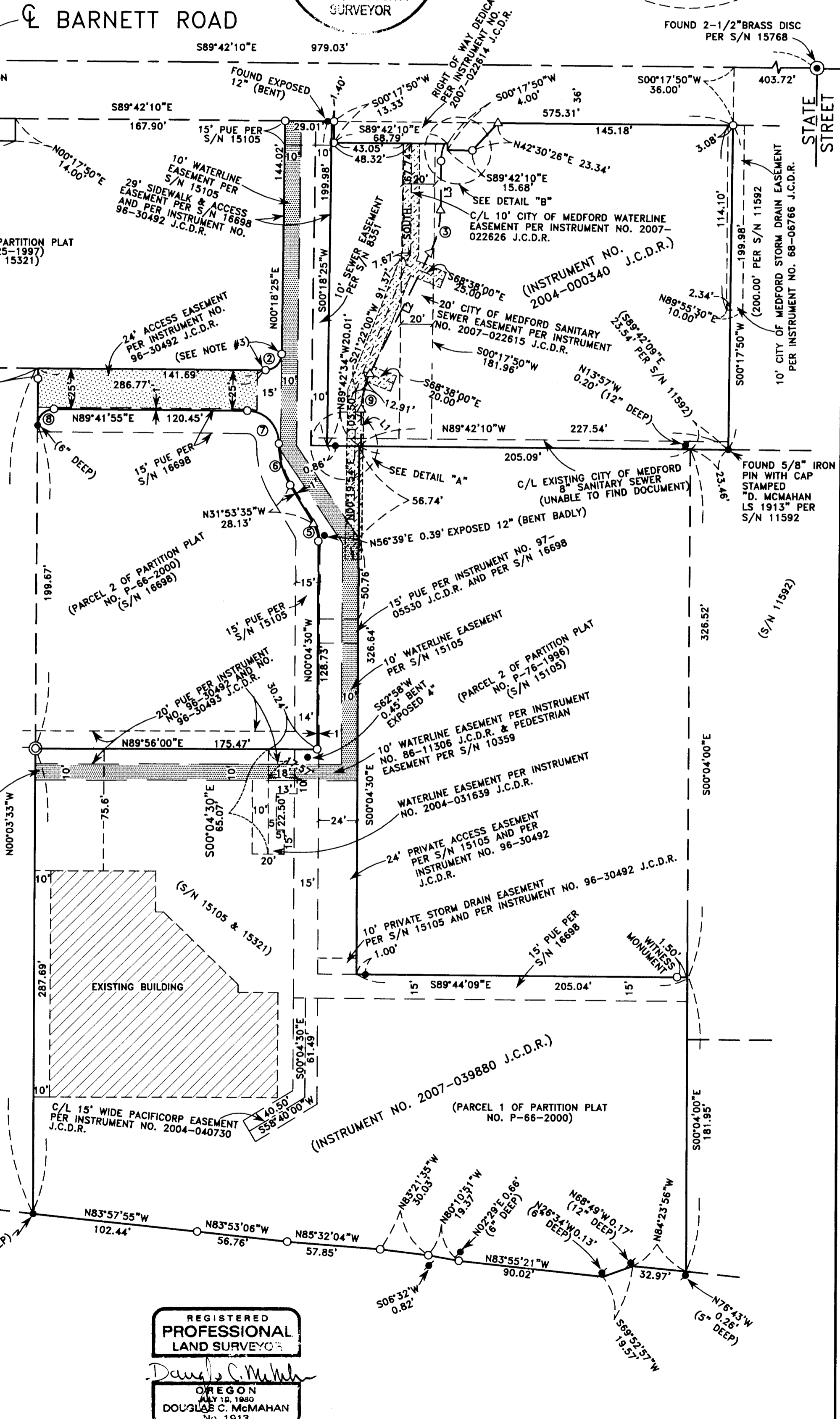
**HOFFBUHR & ASSOCIATES, INC.**  
 880 GOLF VIEW DRIVE, # 201 MEDFORD, OREGON  
 (541) 779-4641 97504

BY: **DOUGLAS C. McMAHAN** LS No. 1913  
 SCALE: 1" = 50' DATE: MARCH 11, 2008  
 BASIS OF BEARING: FILED SURVEY NO. 16698

- = SET 5/8"x24" REBAR WITH YELLOW PLASTIC CAP STAMPED "HOFFBUHR AND ASSOC., INC."
- ⊙ = FOUND 1 1/2" METAL DISC UNDER CURB, PER S/N 16698, UNREADABLE.
- △ = SET LEAD PLUG WITH WASHER STAMPED "LS 1913"
- ⊘ = FOUND 1/2" IRON PIPE PER S/N 8351
- = FOUND 5/8" IRON PIN WITH CAP STAMPED "MARQUESS AND ASSOC." PER S/N 15105 & S/N 15321 UNLESS OTHERWISE SHOWN
- sf = SQUARE FEET
- S/N = FILED SURVEY NUMBER
- J.C.D.R. = JACKSON COUNTY DEED RECORDS OR OFFICIAL RECORDS
- PUE = EXISTING PUBLIC UTILITY EASEMENT

**NOTES:**

- EASEMENTS TO TELEPACIFIC FOR TRANSMISSION AND DISTRIBUTION OF ELECTRICITY AND OTHER PURPOSES PER INSTRUMENT NO. 69-01192 AND NO. 80-25753 J.C.D.R. MAY AFFECT THESE PROPERTIES, HOWEVER SPECIFIC LOCATION IS NOT STATED.
- CONSENT TO GRANT CROSS EASEMENT DISCLOSED BY INSTRUMENT NO. NO. 2007-002680 J.C.D.R. AFFECTS THESE PROPERTIES, HOWEVER SPECIFIC LOCATION IS NOT GIVEN.
- SET MONUMENT IN POSITION OF FOUND LEAD PLUG AND TACK WITH WASHER STAMPED "LS 2464" PER S/N 15321, DESTROYED BY CONSTRUCTION.



REGISTERED  
 PROFESSIONAL  
 LAND SURVEYOR

*Douglas C. McMahan*

OREGON  
 JULY 18, 1980  
 DOUGLAS C. McMAHAN  
 No. 1913

RENEWS 12/31/08