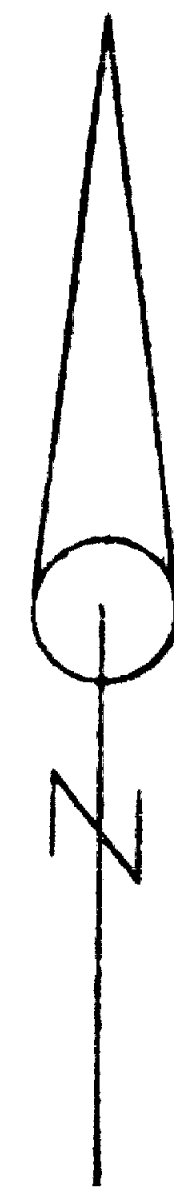
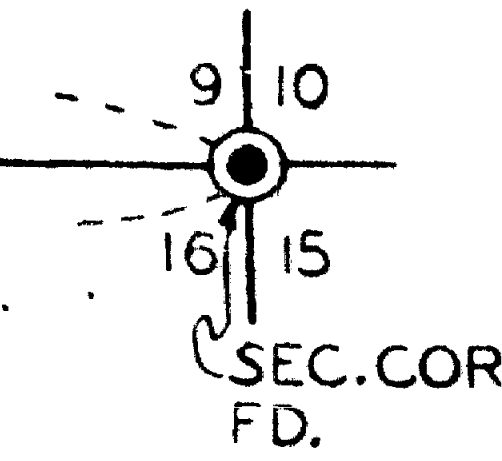
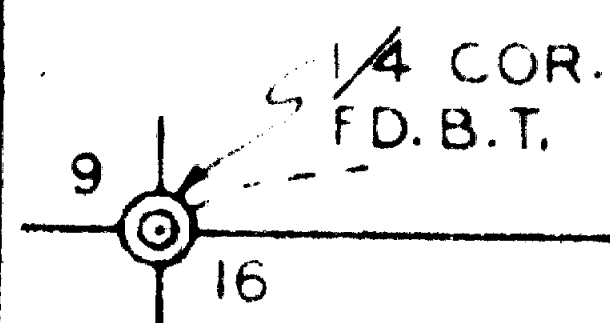


1988



(REC. N 89° 56' 00" E 2638.68'
 N 89° 51' 40" E 2652.98'
 757.22')

SEC. LINE

N. E. 1/4 SEC. 16

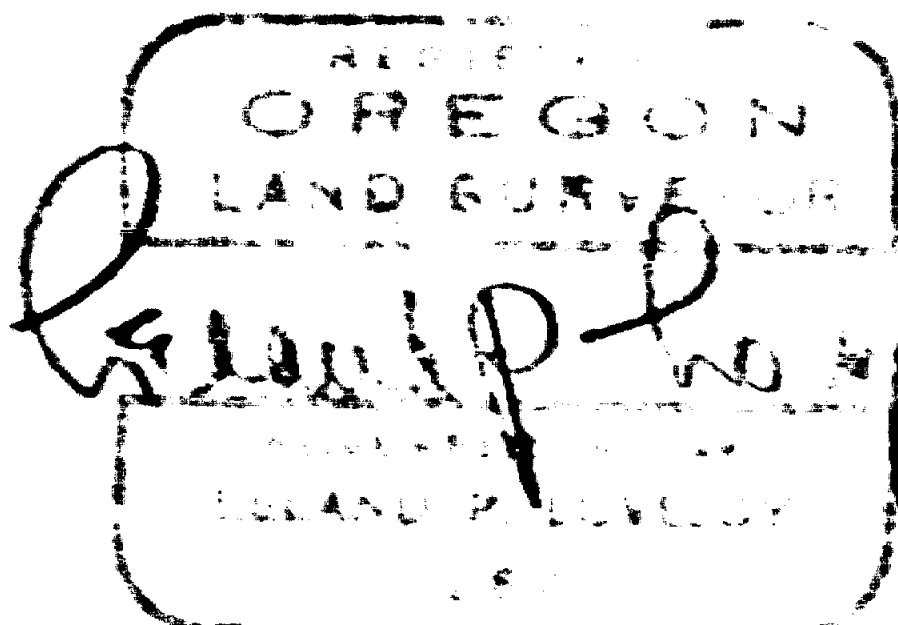
6.270± AC. (INCLUDES ROAD)

6.045± AC. (INCLUDES ROAD)

BOUNDARY SURVEY OF PROPERTY
 SITUATE IN
 SEC. 16, T. 36 S., R. 4 W., W.M.
 JACKSON COUNTY, OREGON
 FOR
 GEORGE DANCE

L.P. LOVEJOY L.S. MEDFORD, ORE.
 SCALE: 1" = 100' JULY 12, 1962

BEARINGS BY PREVIOUS SURVEY
 o = SET 5/8" STEEL PIN



S.P.I. P 35+89.22
 J.C.O. ENG'S. RECORDS.

1988

Survey Narrative to Comply with Section 87-3301947 Oregon State Laws

Survey For: George Dance
Route 1, Box 295
Rogue River, Oregon

Purpose of Survey: To establish property boundaries.

Survey Location: Section 16, Township 36 South,
Range 4 West, Willamette Meridian,
Jackson County, Oregon.

Survey Procedure: Found section and other survey corners
and points, as shown on map, and
used as a basis for survey control. Set
5/8" steel pins as shown.

Leland P. Lovejoy
Registered Land Surveyor
Work completed July 20, 1962

