

MAP OF SURVEY

LOCATED IN
THE SOUTHEAST QUARTER OF SECTION 17,
TOWNSHIP 38 SOUTH, RANGE 1 WEST,
WILLAMETTE MERIDIAN,
JACKSON COUNTY, OREGON

FOR
MARTIN LOPEZ
718 GILMAN ROAD
MEDFORD, OREGON 97504
AUGUST 6, 2007

SURVEY BY:
TIMBERLINE
LAND SURVEYING
INCORPORATED
KERRY K. BRADSHAW L.S. 2271
P.O. BOX 3064
CENTRAL POINT OREGON 97502
(541)664-7510 CELL 944-6692

FOUND
2-1/2" BRASS DISK
STAMPED
"T38S R1W
1/4 S
18/17
CS
1989"

CAMP BAKER ROAD

N 89°49'00" E 5284.72' (5284.64' PER F.S. 13762) (BASIS OF BEARINGS)

(2025.82' HELD PER F.S. 13762)

1019.57'

FOUND
BRASS DISK IN
MONUMENT CASE
EAST 1/4 CORNER
SECTIONS 17/16

BASIS OF BEARINGS

THE CENTERLINE OF CAMP BAKER ROAD PER FILED SURVEY 13762 SHOWN AS N 89°49'00" E.

LEGEND

- FOUND 5/8" IRON REBAR PER F.S. 2113.
- ▲ FOUND 5/8" IRON REBAR, BENT NOT OF RECORD.
- SET 5/8"x24" IRON REBAR WITH YELLOW PLASTIC CAP STAMPED "BRADSHAW LS 2271".

F.S. FILED SURVEY WITH JACKSON COUNTY SURVEYOR'S OFFICE.

F.S. 13762

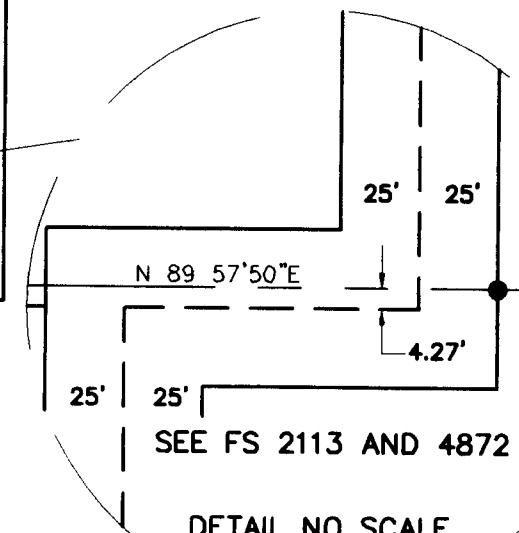
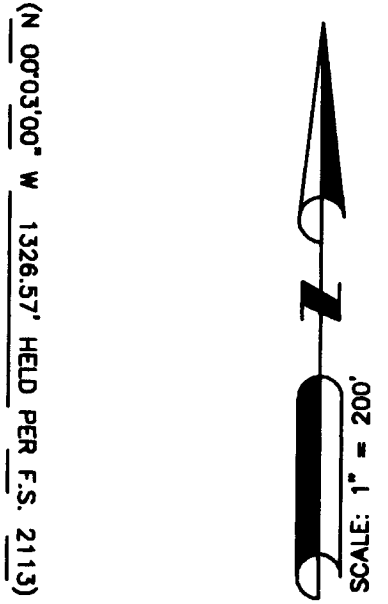
F.S. 2113

N 00°14'10" E 1323.51'
(1328.16' PER F.S. 1573)

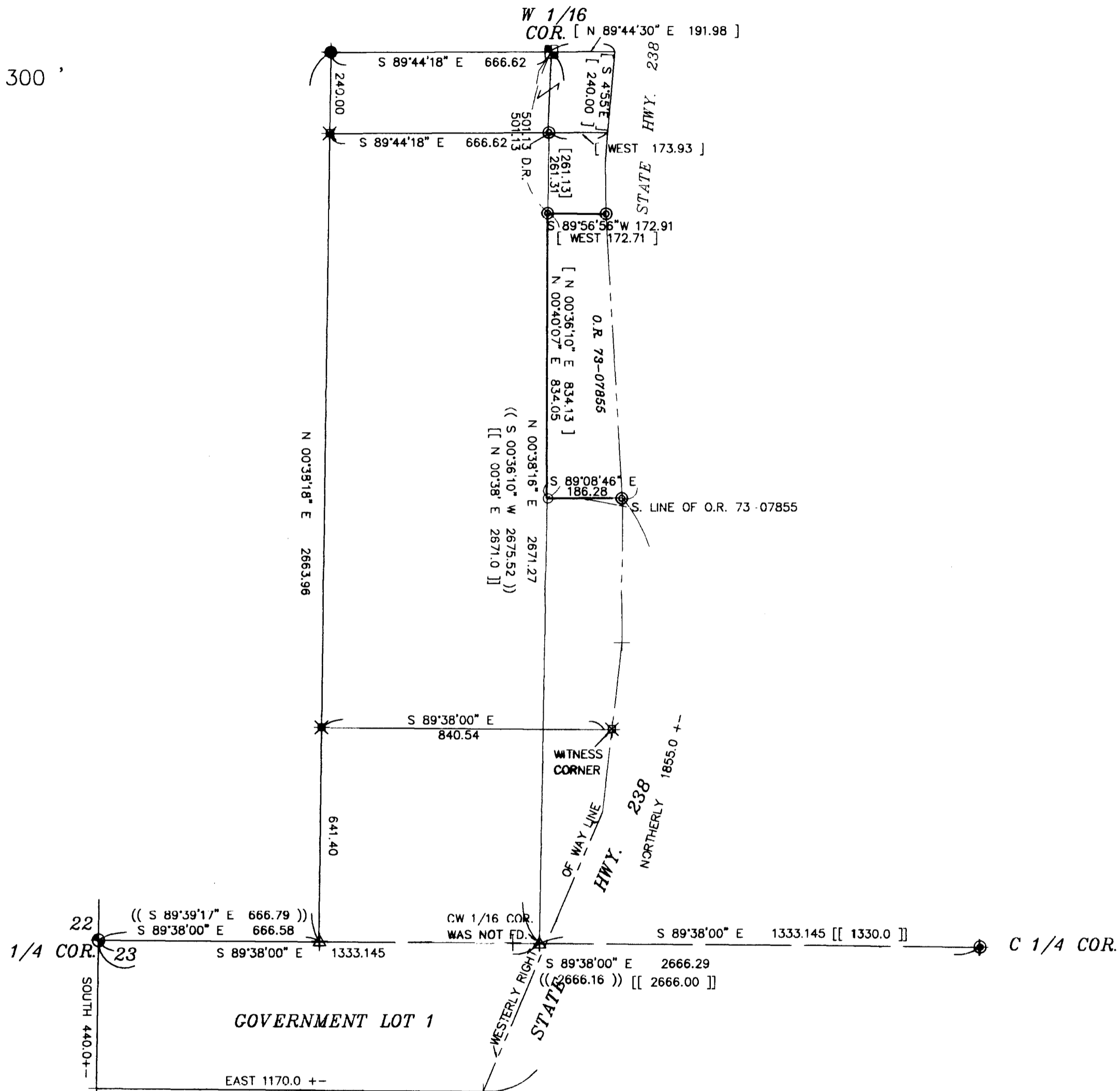
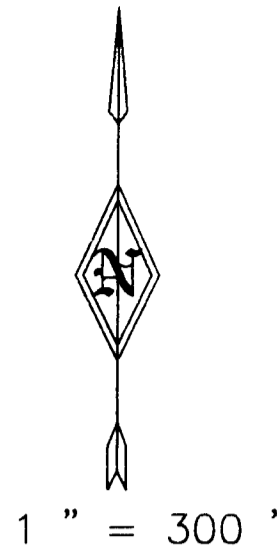
FOUND
2-1/2" BRASS DISK
STAMPED
"T38S R1W
1/4 S
17/20
CS
1988"

NARRATIVE:

A WILD T-1000 TOTAL STATION WAS UTILIZED TO ESTABLISH CONTROL THROUGH THE SUBJECT AREA. FOUND MONUMENTS PER FILED SURVEY NO. 2113, BRASS CAP GOVERNMENT CORNERS AND FOUND 5/8" IRON PINS (NOT OF RECORD) WERE TIED IN THE CONTROL TRAVERSE. THE EAST-WEST CENTERLINE OF SECTION 17 DEFINES THE CENTERLINE OF CAMP BAKER ROAD. RECORD POSITION OF COLEMAN CREEK ROAD PER FS 2113 WAS HELD AS CONTROLLING, AND THUS ESTABLISHING THE EAST BOUNDARY. THE SOUTHERLY BOUNDARY IS DEFINED AS THE C/L OF THE EXISTING CANAL AND GIVEN WRITTEN LOCATION BY DOCUMENT NO. 2003-70041. WITNESS MONUMENTS WERE SET. SAID WRITTEN LOCATION IS SHOWN ON THIS MAP AND WITNESS MONUMENTS WERE SET BACK FROM THIS CALCULATED LINE. THE EXCEPTED AREA (EXCEPTION "A"), AS DESCRIBED IN SAID DOCUMENT NO. 2003-70041, HAD APPARENTLY BEEN MARKED WITH 5/8" IRON PINS, MOST OF WHICH WERE FOUND BENT OR DISTURBED. NO RECORD SURVEY WAS FOUND FOR THIS EXCEPTED PARCEL. THE CORNERS NOT MARKED BY AN IRON PIN WERE MONUMENTED WITH A REBAR AND CAP PER THIS SURVEY. BECAUSE THE SUBJECT PROPERTY DESCRIPTION BEGINS AT THE CENTER OF SECTION 17, THE WEST BOUNDARY CANNOT BE LOCATED AT THIS TIME, AS THE NORTH 1/4 CORNER OF SECTION 17 IS APPARENTLY OBLITERATED. RESTORING THE NECESSARY GOVERNMENT CORNERS TO PROPERLY LOCATE THE CENTER 1/4 CORNER IS FAR BEYOND THE SCOPE OF THIS SURVEY.



REGISTERED
PROFESSIONAL
LAND SURVEYOR
Kerry K. Bradshaw
OREGON
JULY 16, 1987
KERRY K. BRADSHAW
2271
EXP. 12-31-06



SURVEY NARRATIVE

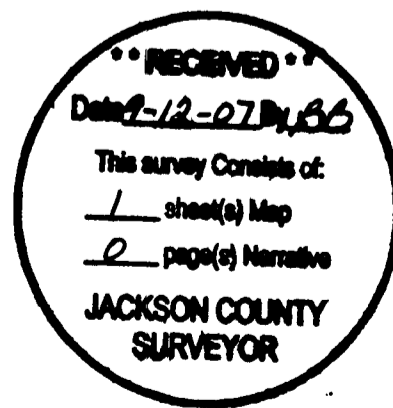
PURPOSE: To survey the Westerly Deed line of instrument number 73-07855 of the Official Records of Jackson County, Oregon, as depicted hereon.

PROCEDURE: Utilizing control and monuments found and set from filed survey 14876 previously performed in 1995 by this office, I calculated the deed corners and found monuments set at the Northeast, Northwest and Southwest corners. These monuments were held as shown hereon. The Southwest deed corner was set on filed survey number 3183, but has been filled over with approximately 5 foot of fill. I reset said Southwest corner at the computed position. The Westerly line was marked with hubs and 3 foot wood lath at specific intervals.

LEGEND

- ⊕ SET 5/8" X 30" REBAR WITH YELLOW PLASTIC CAP MARKED "TEMPLIN LS2359"
- ⊙ BRASS CAP PER JACKSON COUNTY RE-ESTABLISHMENT BOOK, PAGE 69
- ⊗ 5/8" IRON ROD PER FILED SURVEY NUMBER 14876.
- ⊙ FD. 5/8" IRON ROD PER FILED SURVEY NUMBER 3183.
- ⊙ 1/2" IRON PIPE PER ANCIENT SURVEY BOOK A2, PAGE A-5
- 1" IRON PIN PER ANCIENT SURVEY BOOK A2, PAGE A-5
- B.L.M BRASS CAP MONUMENT PER B.L.M. BOOK, PAGE 25
- △ INDICATES CALCULATED POSITION
- D.R. INDICATES DEED RECORD
- [] RECORD BEARING/DISTANCE PER FS 3183.
- (()) RECORD BEARING/DISTANCE PER FS 8923
- [[]] RECORD BEARING/DISTANCE PER ANCIENT SURVEY BOOK A2, PAGE A-5

BEARINGS BASED UPON EAST-WEST C/L OF SECTION 23, PER ANCIENT SURVEY BOOK A2, PAGE A-5



REGISTERED PROFESSIONAL LAND SURVEYOR
Richard J. Templin
 OREGON
 JULY 26, 1988
 RICHARD J. TEMPLIN
 2359
 RENEWAL DATE: 6-30-08

RICHARD TEMPLIN LAND SURVEYING
 P.O. BOX 1946, 899-2032 JACKSONVILLE, OREGON
MAP OF SURVEY
 LOCATED IN
 NW 1/4 & SW 1/4 OF SECTION 23
 T.38S., R.3W., W.M.
 JACKSON COUNTY, OREGON
 SURVEYED FOR: Emma Leach DATE: August 25, 2007
 6178 Hwy. 238
 Jacksonville, Or. 97530