

SURVEY FOR:
ROGER MCFADDEN
3320 WESTOVER BLVD.
CENTRAL POINT, OR 97502

SURVEY BY:
L.J. FRIAR & ASSOCIATES, P.C.
CONSULTING LAND SURVEYORS
816 WEST EIGHTH STREET
MEDFORD, OREGON 97501
PHONE: (541) 772-2782
EMAIL: ljfriar@charter.net

MAP OF SURVEY

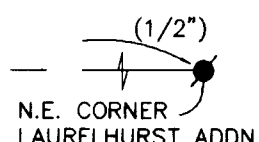
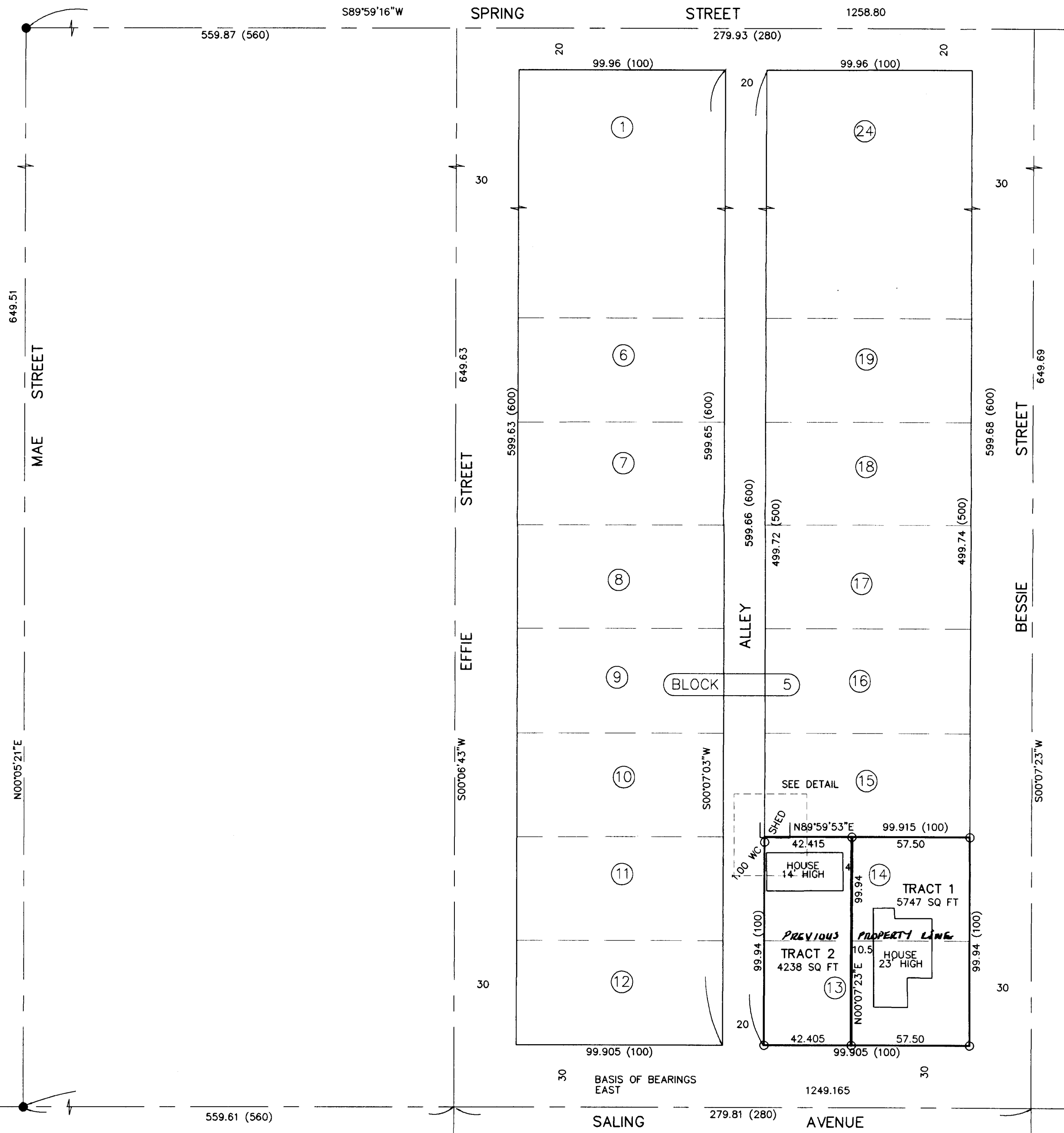
PROPERTY LINE ADJUSTMENT

In Lots 13 & 14, Block 5 of LAURELHURST ADDITION,
& located in the S.E. 1/4 of Sec. 19, T.37S., R.1W., W.M.
City of Medford Jackson County, Oregon

SURVEY NARRATIVE TO COMPLY WITH O.R.S. 209.250

PURPOSE: TO SURVEY AND MONUMENT TWO ADJUSTED TRACTS CREATED THROUGH A PROPERTY LINE ADJUSTMENT PER THE CLIENT'S INSTRUCTIONS AND PREPARE LEGAL DESCRIPTIONS OF THE RESULTANT TRACTS.

PROCEDURE: MADE TIES TO MONUMENTS OF RECORD AS SHOWN HEREON TO CONTROL THIS SURVEY. USED MAP RECORD DISTANCE PER FS14398 TO COMPUTE THE CENTERLINE OF BESSIE STREET. USED PROPORTIONATE DISTANCES TO COMPUTE THE CENTERLINE OF EFFIE STREET. COMPUTED THE CORNERS OF LOTS BY PROPORTION TO PLAT RECORD. SET PINS AT THE LOCATIONS SHOWN HEREON AND PREPARED LEGAL DESCRIPTIONS OF THE ADJUSTED TRACTS.

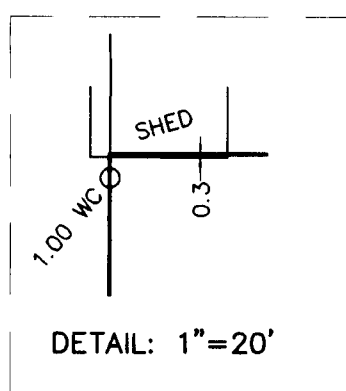


LEGEND:

- = FD. 5/8" IRON PIN PER FS2685.
- ⦿ = FD. IRON PIPE PER LAURELHURST ADDITION (SIZE AS NOTED). SEE FS8026.
- = SET 5/8" X 30" IRON PIN W/ PLASTIC CAP MKD. LJ FRIAR & ASSOC.

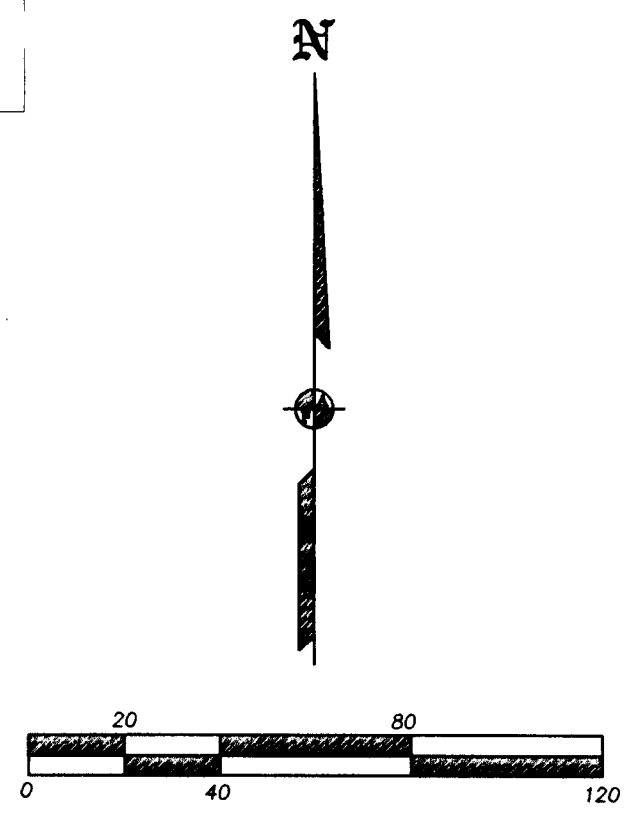
ORJCO = OFFICIAL RECORDS OF JACKSON COUNTY, OREGON.
WC = WITNESS CORNER.
() = PLAT RECORD DATA AS SHOWN.
FS = FILED SURVEY #.
-X- = FENCE LINE.

BASIS OF BEARINGS:
SURVEY NO. 8026 AS SHOWN HEREON.
UNIT OF MEASUREMENT = FEET DATE: OCTOBER 18, 2005 SCALE: 1" = 40'



SEGREGATION DEEDS
LOT 14: DOC. #2005-047745, ORJCO.
LOT 13: DOC. #2005-047744, ORJCO.

ADJUSTMENT DEEDS
TRACT 1: DOC. # 2006-036824, ORJCO.
TRACT 2: DOC. # 2006-036823, ORJCO.



S.E. COR. BLOCK 7
LAURELHURST ADDN. (3/4")
30.00 NORTH

REGISTERED PROFESSIONAL LAND SURVEYOR
James E. Hibbs
OREGON
JULY 17, 1986
JAMES E. HIBBS
2234
RENEWAL DATE 6-30-07

** RECEIVED **
DATE 12-20-06 BY JEB
This survey consists of:
1 sheet(s) Map
0 page(s) Narrative
JACKSON COUNTY SURVEYOR