

SURVEY BY:
L.J. FRIAR & ASSOCIATES, P.C.
CONSULTING LAND SURVEYORS
816 WEST EIGHTH STREET
MEDFORD, OREGON 97501
PHONE: (541) 772-2782
EMAIL: LJFRIAR@CHARTER.NET

SURVEY FOR:
JACK NORTHCUTT
& JOHN NEWMAN
C/O 1201 SWEET ROAD
MEDFORD, OR 97501

DATE:
SEPTEMBER 25, 2006

MAP OF SURVEY

Located in the N.E. 1/4 of Sec. 26, T.37S., R.2W., W.M.
in the City of Medford, Jackson County, Oregon

LEGEND:

- = FOUND BRASS CAP MONUMENT PER FS11121.
- ⊙ = FOUND COUNTY SURVEYORS BRASS CAPPED MONUMENT.
- = FOUND 5/8" IRON PIN & PLASTIC CAP MKD. L.J. FRIAR & ASSOC. PER FS19XXX.
- ⊗ = FOUND 3/8" IRON BOLT TIED PREVIOUSLY. SEE FS17356.
- = SET 5/8" X 30" IRON PIN & PLASTIC CAP MKD. L.J. FRIAR & ASSOC.

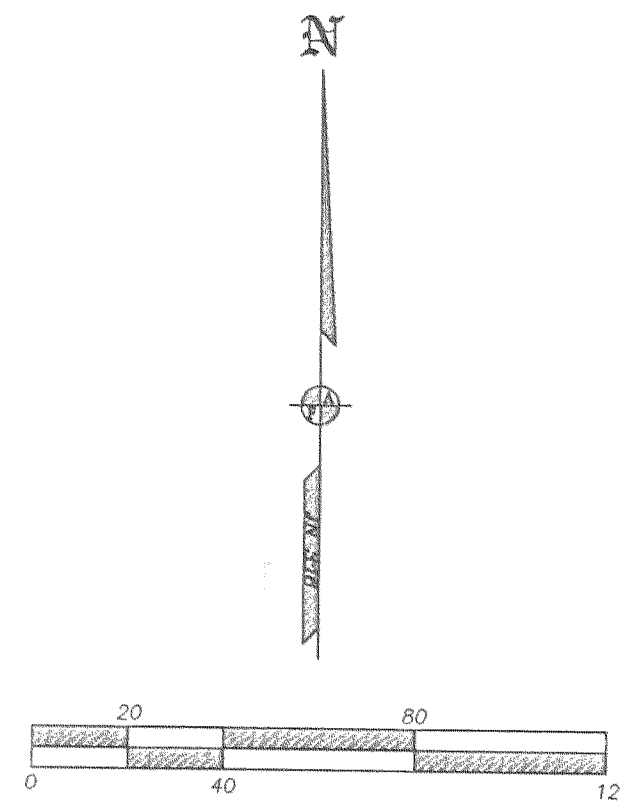
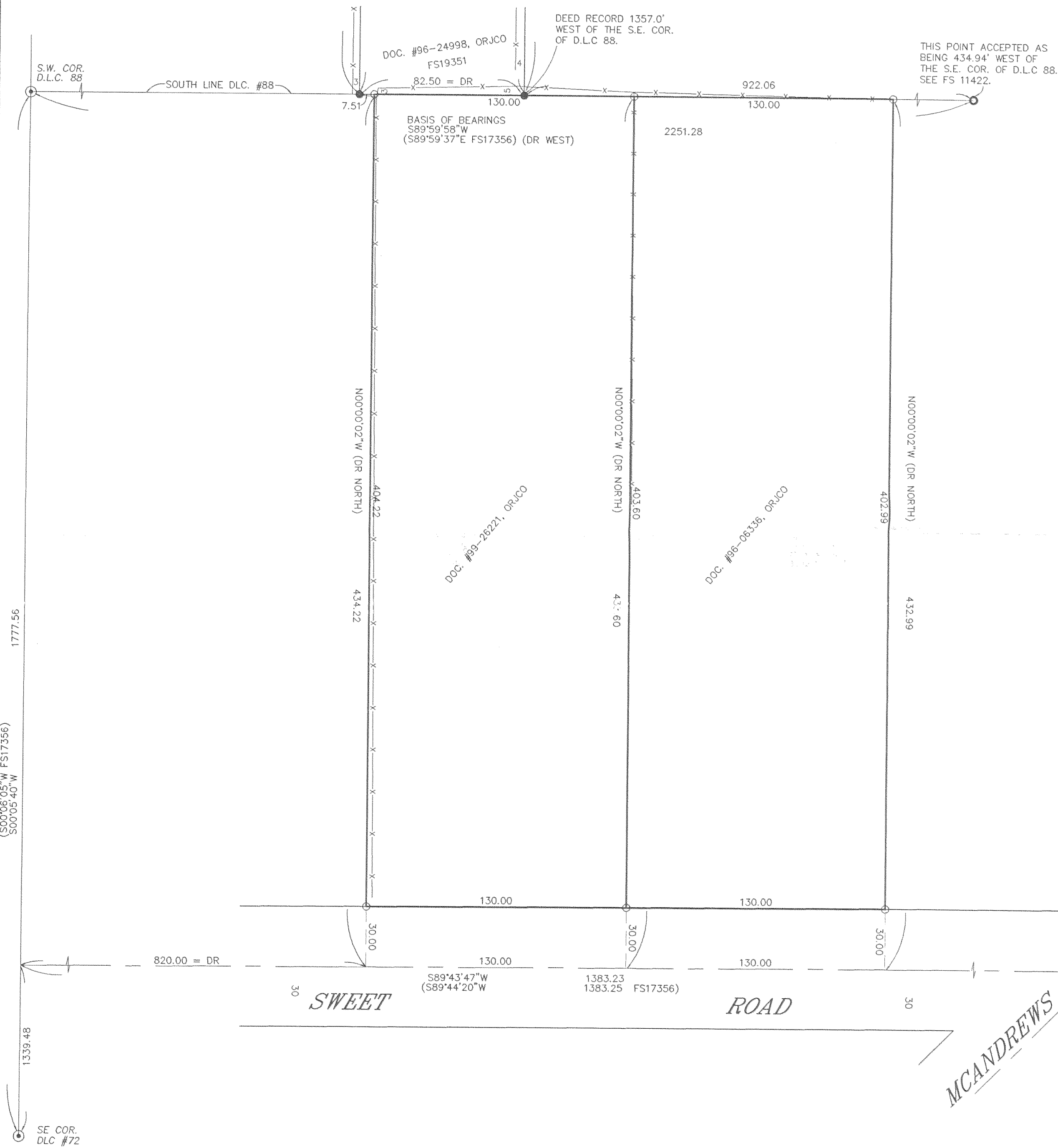
FS = FILED SURVEY #.
-X- = FENCE.
DR = DEED RECORD DATA PER DOC. 2005-016219, ORJCO.

BASIS OF BEARINGS:

SURVEY NO. 19210 AS SHOWN HEREON.

UNIT OF MEASUREMENT: FEET

SCALE: 1" = 40'



SURVEY NARRATIVE TO COMPLY WITH O.R.S. 209.250

PURPOSE: TO SURVEY AND MONUMENT THE CORNERS OF THE SUBJECT TRACTS DESCRIBED IN DOC. #96-06336 & 99-26221, ORJCO.

PROCEDURE: FROM CONTROL AND MONUMENTS ESTABLISHED AND TIED BY THIS OFFICE DURING ISH RANCH ESTATES, MAPLE PARK TERRACE, PHASE 1, FS18629, 19210 & 19351, I COMPUTED THE CORNERS OF THE SUBJECT TRACT PER DEED RECORD DATA. THE NORTH-SOUTH LINES WERE HELD PERPENDICULAR TO THE SOUTH LINE OF D.L.C. #88 PER DEED. SET MONUMENTS AS SHOWN HEREON.

SWEET ROAD
MCANDREWS ROAD

REGISTERED
PROFESSIONAL
LAND SURVEYOR

J. Friar

OREGON
JULY 17, 1986
JAMES E. HIBBS
2234
RENEWAL DATE 6-30-07

•• RECEIVED ••

DATE 10-03-06 BY RB

This survey consists of:

1 sheet(s) Map

0 page(s) Narrative

JACKSON COUNTY
SURVEYOR

372W26AA TL'S 200 & 300

THIS PLAT WAS PREPARED USING AN HP450C DESIGNJET WITH 51640A INKJET INK ON CONTINENTAL JPC4M2 POLYESTER FILM.