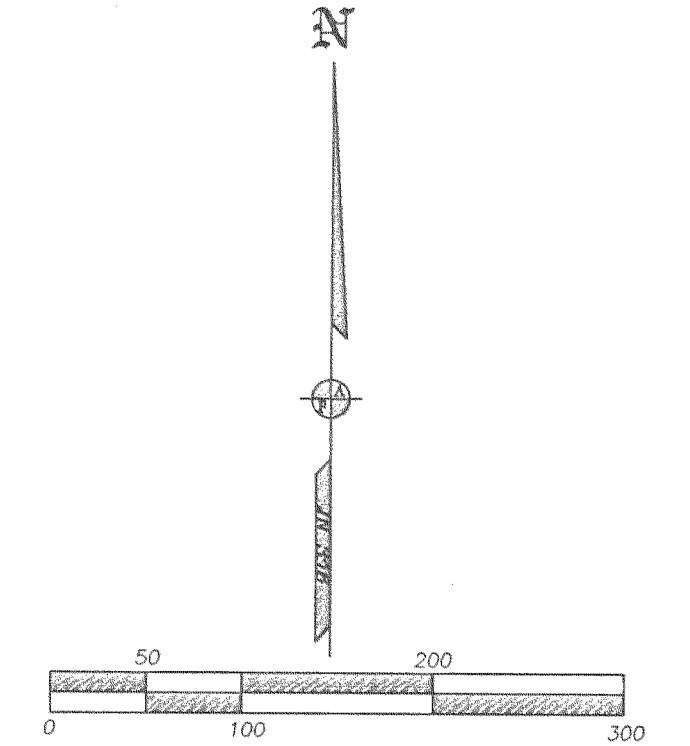
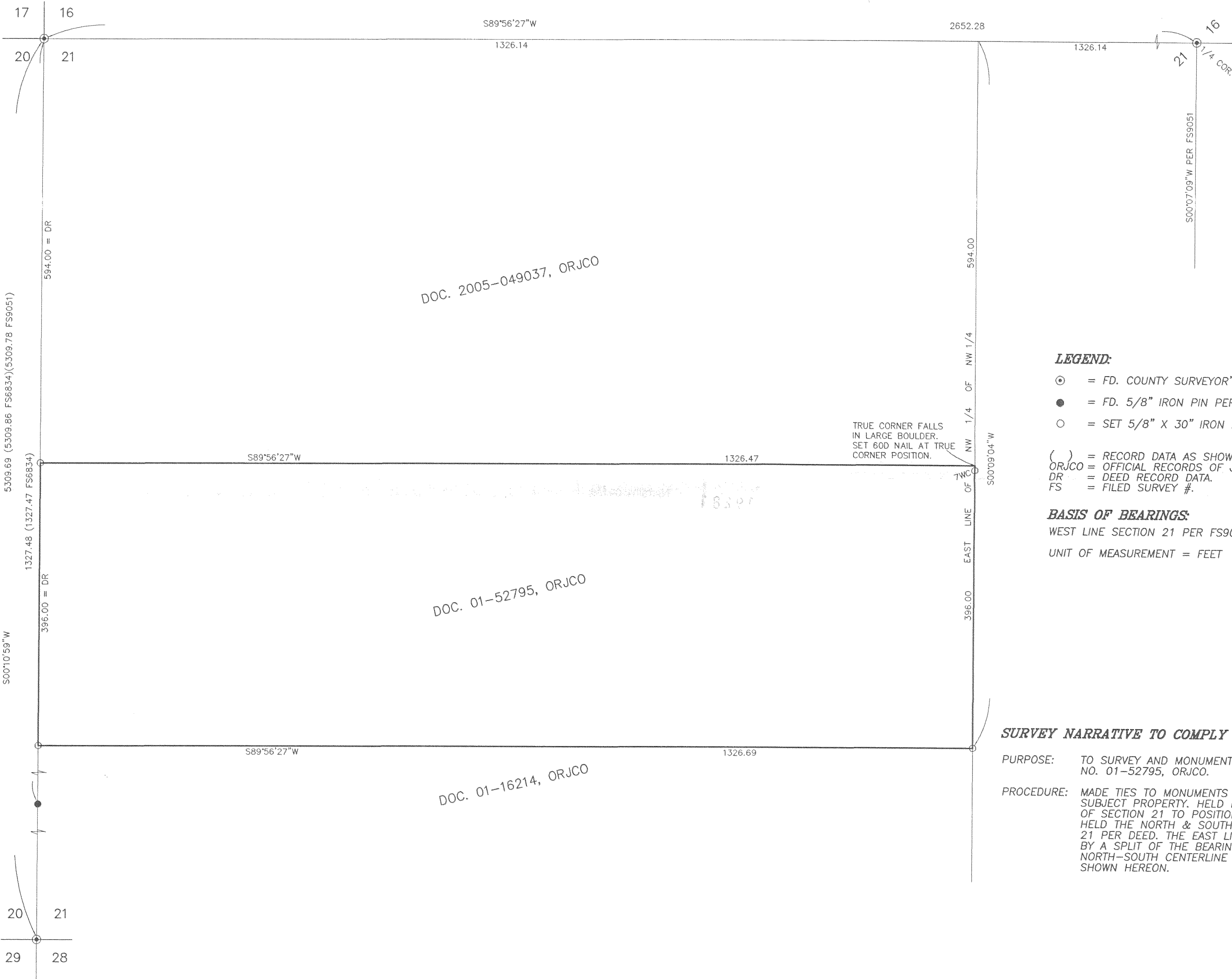


SURVEY FOR:
DICK & VIVIAN HERZOG
13800 DUGGAN ROAD
CENTRAL POINT, OR 97502

SURVEY BY:
L.J. FRIAR & ASSOCIATES, P.C.
CONSULTING LAND SURVEYORS
816 WEST EIGHTH STREET
MEDFORD, OREGON 97501
PHONE: (541) 772-2782
EMAIL: ljfriar@charter.net

MAP OF SURVEY

Located in the N.W. 1/4 of Sec. 21, T.35S., R.2W., W.M.
Jackson County, Oregon



DOC. 2005-049037, ORJCO

DOC. 01-52795, ORJCO

DOC. 01-16214, ORJCO

TRUE CORNER FALLS
IN LARGE BOULDER.
SET 60D NAIL AT TRUE
CORNER POSITION.

LEGEND:

- ⊙ = FD. COUNTY SURVEYOR'S BRASS CAPPED MONUMENT PER RE-ESTAB'S.
- = FD. 5/8" IRON PIN PER FS6834.
- = SET 5/8" X 30" IRON PIN W/ PLASTIC CAP MKD. L.J. FRIAR & ASSOC.
- () = RECORD DATA AS SHOWN.
- ORJCO = OFFICIAL RECORDS OF JACKSON COUNTY, OREGON.
- DR = DEED RECORD DATA.
- FS = FILED SURVEY #.

BASIS OF BEARINGS:

WEST LINE SECTION 21 PER FS9051.
UNIT OF MEASUREMENT = FEET DATE: JUNE 15, 2006 SCALE: 1" = 100'

SURVEY NARRATIVE TO COMPLY WITH O.R.S. 209.250

PURPOSE: TO SURVEY AND MONUMENT THE CORNERS OF THAT TRACT DESCRIBED IN DOC. NO. 01-52795, ORJCO.

PROCEDURE: MADE TIES TO MONUMENTS OF RECORD AS SHOWN HEREON TO CONTROL THE SUBJECT PROPERTY. HELD DEED RECORD DISTANCE SOUTH FROM THE NW COR. OF SECTION 21 TO POSITION THE NW & SW CORNER OF THE SUBJECT TRACT. HELD THE NORTH & SOUTH LINE PARALLEL TO THE NORTH LINE OF SECTION 21 PER DEED. THE EAST LINE OF THE NW 1/4 OF THE NW 1/4 WAS COMPUTED BY A SPLIT OF THE BEARINGS OF THE WEST LINE OF SECTION 21 AND THE NORTH-SOUTH CENTERLINE OF SECTION 21 PER FS9051. SET MONUMENTS AS SHOWN HEREON.

REGISTERED
PROFESSIONAL
LAND SURVEYOR

James E. Hibbs

OREGON
JULY 17, 1986
JAMES E. HIBBS
2234
RENEWAL DATE 6-30-07

** RECEIVED **

DATE 8-1-06 BY JB

This survey consists of:

1 sheet(s) Map

0 page(s) Narrative

JACKSON COUNTY
SURVEYOR