

**SURVEY FOR:**

Larry Rexius  
4900 South Fork Little Butte Creek Road  
Eagle Point OR 97524

**LOCATION:**

N.E. 1/4 of Section 4,  
T.37S.,R.2E., W.M.,  
Jackson County, Oregon

**SURVEY BY:**

Kaiser Surveying  
19754 Highway 62  
Eagle Point, OR. 97524

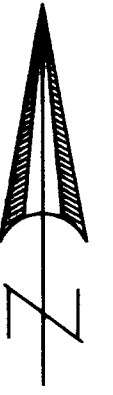
**DATE:**

September 7, 2005

**SURVEY NARRATIVE TO COMPLY WITH O.R.S. 209.250**

**PURPOSE:** Monument boundaries of the clients property as described in INST. No. 01-12141 O.R. that are common with the boundaries of the property described in INST. No. 89-01402 O.R. Also monument the most Southerly boundary of said property described in INST. No. 01-12141 O.R.

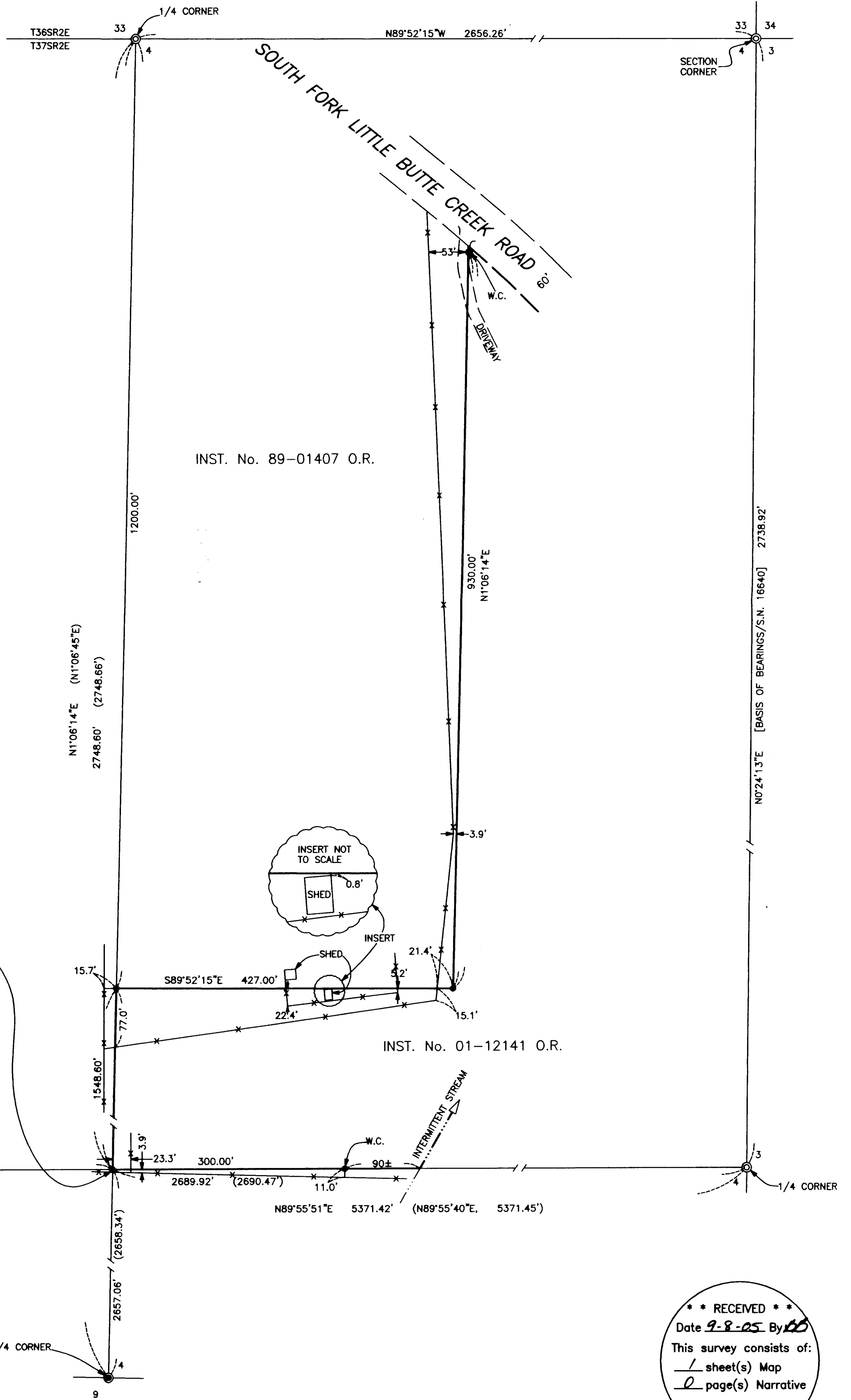
**PROCEDURE:** The Desired property boundaries were monumented using B.L.M. (Bureau of Land Management) and C.S. (County Surveyors Office) Re-Established Gov't Corner for Control as shown.



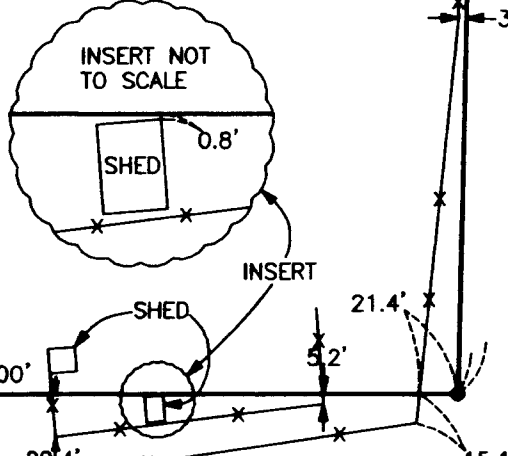
SCALE: 1" = 100'

**LEGEND**

- = Found 2" G.I. PIPE/BR CAP  
BLM
- ⊙ = Found 1" G.I. PIPE/BR CAP  
C.S.
- = Set 5/8" X 24" Rebar  
With Plastic Cap Marked  
"B Kaiser RLS 52923"
- S.N. = Filed Survey Number  
County Surveyors Office
- W.C. = Witness Corner
- ( ) = Record/S.N. 13200
- x — = Fence



CTR. 1/4 CORNER  
CTR. SAWED 20" CEDAR STUMP BEARS  
S49°19'E, 2.3'  
CTR. 9" WHITE OAK SCRIBED "C 1/4-BT"  
BEARS S78°45'W, 10.9'  
CTR. 9" WHITE OAK SCRIBED "C 1/4-BT"  
BEARS N30°22'W, 28.4'  
CTR. 12" WHITE OAK SCRIBED "C 1/4-BT"  
BEARS N14°22'E, 31.7'  
FENCE CORNER WITH FENCES RUNNING NORTH, EAST, AND WEST  
BEARS S80°32'E, 23.7'



REGISTERED  
PROFESSIONAL  
LAND SURVEYOR  
*Bary D. Kaiser*  
OREGON  
JULY 15, 2003  
BARY D. KAISER  
No. 52923  
EXP. 6-30-07

\*\* RECEIVED \*\*  
Date 9-8-05 By KS  
This survey consists of:  
1 sheet(s) Map  
0 page(s) Narrative  
JACKSON COUNTY  
SURVEYOR