

**MAP OF SURVEY
PROPERTY LINE ADJUSTMENT**
located in the
SOUTH ONE-HALF OF SECTION 35,
TOWNSHIP 36 SOUTH, RANGE 2 WEST,
WILLAMETTE MERIDIAN, JACKSON COUNTY, OREGON

for
Sam & Diana Inkley

5123 GEBHARD ROAD
CENTRAL POINT, OREGON 97502

LEGEND

- ⊗ = FOUND 3" BRASS CAP - SECTION CORNER
- ⊗ = FOUND 2 1/2" BRASS CAP-1/4 SECTION CORNER
- ⊗ = FOUND 2 1/2" BRASS CAP - D.L.C. CORNER
- ⊗ = FOUND 2 1/2" BRASS CAP AS SHOWN
- = FOUND MONUMENT AS SHOWN
- ⊙ = CALCULATED POSITION OF THE SE CORNER OF THE WEST HALF OF THE SE QUARTER OF SECTION 35
- = SET 5/8" x 24" IRON PIN w/ YELLOW PLASTIC CAP MARKED "FARBER PLS 2189"
- S/N = RECORD FILED SURVEY NUMBER
- W.C. = WITNESS CORNER
- DR1 = DEED RECORD PER INSTRUMENT NO. 87-23275
- DR2 = DEED RECORD PER INSTRUMENT NO. 89-16998
- BASIS OF BEARING IS TRUE NORTH, NAD 83/91 DATUM, AS DERIVED BY GLOBAL POSITIONING SYSTEM OBSERVATIONS.
- RECORD SURVEY DATA IS SHOWN IN PARENTHESIS ADJACENT TO MEASURED SURVEY DATA WHERE APPLICABLE.
- INST. No. = INSTRUMENT NUMBER AS RECORDED IN THE OFFICIAL RECORDS OF JACKSON COUNTY, OREGON.

**SURVEY NARRATIVE
TO COMPLY WITH O.R.S. 209.250**

PURPOSE:
TO SURVEY AND MONUMENT THE PROPERTY LINE ADJUSTMENT SHOWN HEREON, AND APPROVED PER JACKSON COUNTY PLANNING, FILE NUMBER SUB2003-0038(PLA).

PROCEDURE:
USING CONTROL ESTABLISHED IN THIS AND PREVIOUS SURVEYS OF NEW HAVEN ESTATES, A SUBDIVISION ON FILE IN THE RECORDS OF JACKSON COUNTY, OREGON, WE SURVEYED THE PROPERTY LINE ADJUSTMENT AS SHOWN HEREON.

FROM SURVEY CONTROL ESTABLISHED IN SURVEY NO. 15650, A MAP OF SURVEY ON FILE IN THE RECORDS OF JACKSON COUNTY, THE EAST LINE OF THE SE QUARTER OF SECTION 35 WAS LOCATED. THE SOUTH LINE OF SECTION 35 WAS DEFINED BY LOCATING MONUMENTS AS SHOWN ALONG THE SOUTH LINE OF SAID SECTION 35 AS SHOWN IN S/N 10523. THE NORTH-SOUTH CENTER OF SECTION LINE WAS DEFINED BY TIES TO THE NORTH QUARTER CORNER AND SOUTH QUARTER CORNER OF SAID SECTION 35.

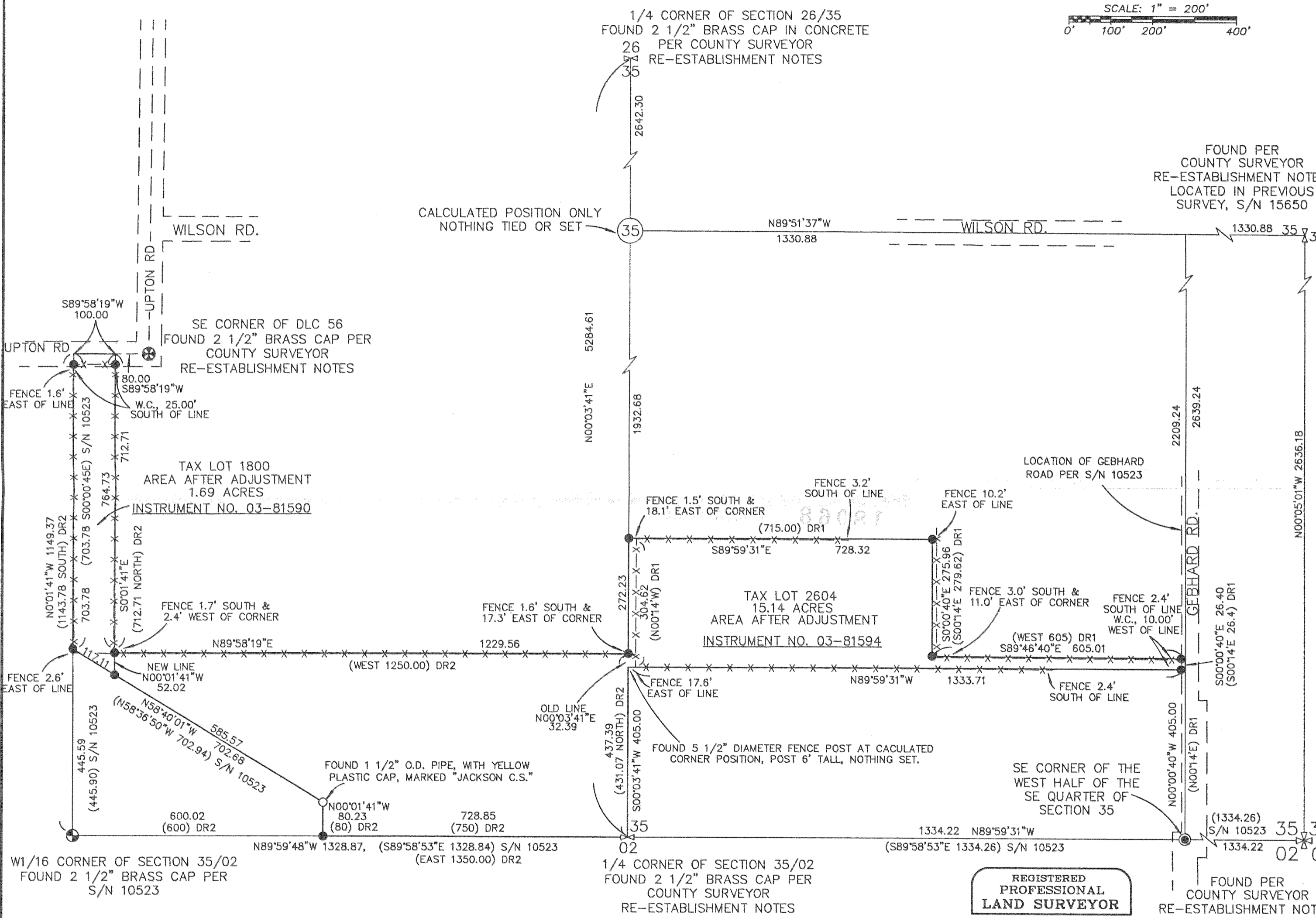
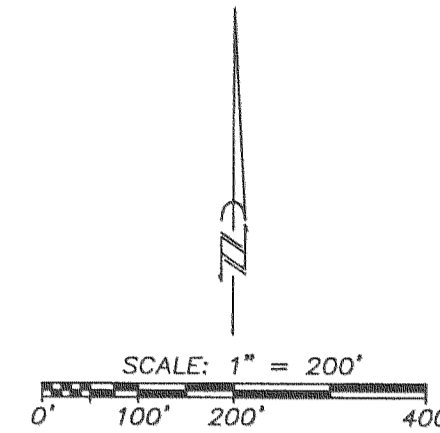
NO SURVEYS OF RECORD SHOW THE WEST QUARTER CORNER OF SECTION 35 EXISTING. OTHER SURVEYS IN THE SOUTHEAST QUARTER OF SAID SECTION, S/N 14472 & S/N 12965, ARE BASED ON FOUND MONUMENTS IN THE NORTH HALF OF SAID SECTION, WITH NO TIES TO THE NORTH-SOUTH CENTERLINE OF THE SECTION. WE CONCLUDED THE BEST SOLUTION FOR LOCATING THE EAST LINE OF THE WEST-HALF OF THE SOUTHEAST QUARTER OF SECTION 35 IS AS FOLLOWS:

- 1) DEFINE THE NORTH LINE OF THE SOUTHEAST QUARTER OF SECTION 35 BY DRAWING A LINE FROM THE EAST QUARTER CORNER OF SAID SECTION 35, TO THE MIDPOINT OF THE NORTH-SOUTH CENTERLINE OF SAID SECTION 35.
- 2) DEFINE THE NORTH-SOUTH 1/16TH CENTERLINE OF THE SOUTHEAST QUARTER OF SECTION 35 BY DRAWING A LINE FROM THE MIDPOINT OF THE NORTH LINE OF THE SOUTHEAST QUARTER DESCRIBED ABOVE, TO THE MIDPOINT OF THE SOUTH LINE OF THE SOUTHEAST QUARTER.

THIS DIVISION DEFINES THE EAST LINE OF THE WEST HALF OF THE SOUTHEAST QUARTER OF SAID SECTION 35, AND THE EASTERLY BOUNDARY OF THE TRACT OF LAND DESCRIBED IN INSTRUMENT NO. 03-81594. THIS LINE ALSO CLOSELY AGREES WITH THE LOCATION OF GEBHARD ROAD AS DESCRIBED IN S/N 10523 AND THE ROAD PETITION NOTES OF 1896. PREVIOUS SURVEY S/N 10523 ESTABLISHED THE NORTHERLY, WESTERLY, AND SOUTHERLY BOUNDARIES OF INSTRUMENT NO. 03-81590.

THIS OFFICE, USING THE EVIDENCE MENTIONED ABOVE, DERIVED THE SOLUTION SHOWN HEREON. AFTER TAKING INTO ACCOUNT THE DISCREPANCIES MENTIONED ABOVE THIS SOLUTION IS FELT TO REFLECT THE INTENT OF THE DEEDS.

SCALE: 1" = 200'
DATE: JANUARY 14, 2004
JOB NO.: 1174-03
DRAWING FILE: X:\JOBS\CENTRALPT\INKLEY\MICROSURVEY\PROP_LINE_ADJ.FLX



** RECEIVED **
DATE 1-16-04 BY *BB*
This survey consists of:
1 sheet(s) Map
2 page(s) Narrative
JACKSON COUNTY SURVEYOR

EXAMINED AND APPROVED BY JACKSON COUNTY DEPARTMENT OF PLANNING AND DEVELOPMENT SERVICES,
FILE NO. SUB2003-00038 (PLA)

BY *Juanita W. Clifton* DATE: Jan. 22, 2004

REGISTERED PROFESSIONAL LAND SURVEYOR

Herbert A. Farber
OREGON
JULY 26, 1985
HERBERT A. FARBER
2189

Sheet 1 of 1

Surveyed by:
FARBER & SONS, INC.
dba FARBER SURVEYING
(541) 664-5599
P.O. BOX 5286
431 OAK STREET
CENTRAL POINT, OREGON 97502