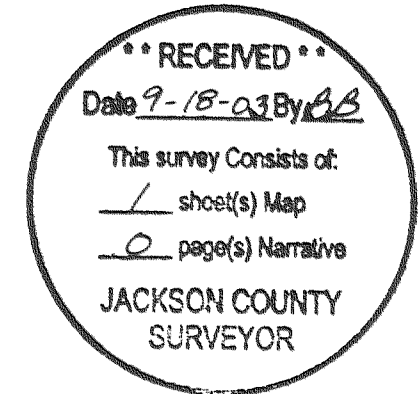


# LONE ROCK TIMBER CO.

P O BOX 1127 ROSEBURG, OREGON 97470  
TOWNSHIP 33 SOUTH RANGE 2 EAST SECTION 17  
DATE: JULY 2003 SCALE 1" = 200'

M 33-2E-17 SURVEY  
JACKSON COUNTY, OREGON



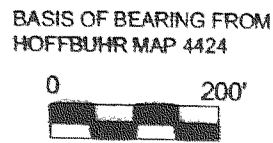
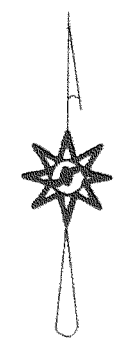
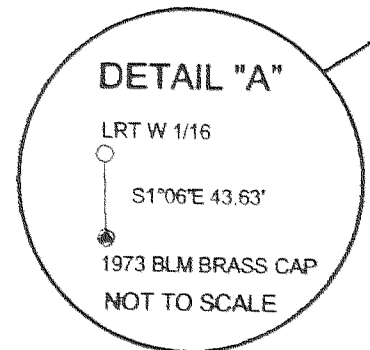
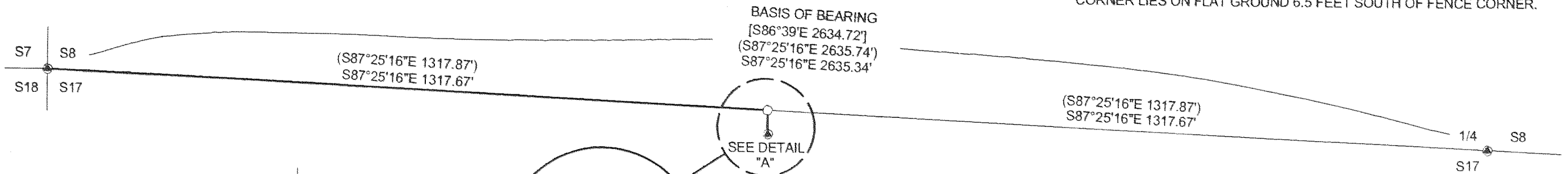
### NARRATIVE:

THIS SURVEY WAS CONDUCTED TO ESTABLISH PROPERTY CORNERS AND PROPERTY LINES FOR TIMBER CUTTING PURPOSES. WE INITIATED THIS SURVEY AT THE NORTHWEST CORNER OF SECTION 17 A BLM BCIP SET FROM ORIGINAL AND PERPETUATED EVIDENCE. WE BEGAN A RANDOM CLOSED LOOP SURVEY AROUND THE WEST 1/2 OF THE NORTHWEST 1/4 OF SECTION 17 FOR PROPERTY LINE MARKING PURPOSES. WE FOUND A 43 FOOT DISCREPENCY IN POSITION OF THE WEST 1/16 BETWEEN A 1970 HOFFBUR SURVEY AND A 1973 BLM SURVEY. WE RAN ANOTHER CLOSED LOOP SURVEY FROM THE BLM WEST 1/16 CORNER TO THE NORTH 1/4 OF SECTION 17 (A BLM BCIP SET FROM ORIGINAL AND PERPETUATED EVIDENCE) AND CLOSED THE TRAVERSE BACK TO THE NORTHWEST SECTION CORNER. WE NOTIFIED BLM GEOGRAPHIC SCIENCES OFFICE IN PORTLAND AND SET OUR OWN WEST 1/16 CORNER AS PER BLM INSTRUCTION (LETTER ON FILE WITH THE JACKSON COUNTY SURVEYOR). WE THEN RIBBONED, BLAZED, PAINTED AND TAGGED THE PROPERTY LINE AS SHOWN. THIS SURVEY WAS DONE WITH A NIKON DTM 450 TOTAL STATION. I WAS ASSISTED ON THIS SURVEY WITH GARY ANGIOLET, PAT CARTER AND IGNACIO ROMAN.

THE NORTHWEST SECTION CORNER OF SECTION 17  
FOUND 1973 BLM BRASS CAP IN LARGE MOUND OF STONES  
-- 15" DOUGLAS FIR BEARS S38 1/2°W 20.7 FEET (RECORD S40°W 20.79 FEET) WELL HEALED FACE AND TAG  
-- 13" OAK BEARS N33°W 29.8 FEET (RECORD N31 1/2°W 29.70 FEET) VERY WELL HEALED FACE AND TAG  
-- 17" PINE BEARS S85 1/4°E 67.1 FEET (RECORD S84 1/2°E 67.65 FEET) WELL HEALED FACE NO TAG  
CORNER LIES APPROX. 10 FEET SOUTH OF EAST - WEST FENCE LINE

THE WEST 1/16 CORNER BETWEEN SECTIONS 8 & 17  
SET 5/8" IRON ROD WITH 2 1/2" ALUMINUM CAP MARKED LONE ROCK TIMBER N 1/16 S8 S17 2003 PLS 2291 IN MOUND OF STONES  
-- 10" DOUGLAS FIR BEARS N54 1/2°E 27.0 FEET WE SCRIBE W 1/16 S8 BT AND TAG TREE  
-- 9" CEDAR BEARS S16 1/2°W 15.2 FEET WE SCRIBE W 1/16 S17 BT AND TAG TREE  
-- 1973 BLM BRASS CAP IN LARGE MOUND OF STONES BEARS S1°6'E 43.63 FEET  
CORNER LIES ON SOUTH SLOPE APPROX. 44 FEET SOUTH OF EAST - WEST FENCE LINE

THE NORTH 1/4 CORNER BETWEEN SECTIONS 8 & 17  
FOUND 1973 BLM BRASS CAP IN LARGE MOUND OF STONES  
-- 18" DOUGLAS FIR BEARS N53 3/4°E 30.9 FEET (RECORD N54°E 30.69 FEET) WELL HEALED FACE AND TAG  
-- 7" OAK BEARS S74 3/4°W 17.7 FEET (RECORD S76°W 17.82 FEET) WELL HEALED FACE AND TAG  
-- 30" OAK WITH BT TAG BEARS S49 1/4°E 16.7 FEET (RECORD S46°E 16.5 FEET) MEASURED TO MIDDLE OF ROOT HOLE  
-- 30" PINE FENCE CORNER BEARS N9°E 6.5 FEET. FENCE RUNS NORTH AND WEST CORNER LIES ON FLAT GROUND 6.5 FEET SOUTH OF FENCE CORNER.



**LEGEND:**

- SET 5/8" X 40" IRON ROD WITH 2 1/2" ALUMINUM CAP
- FOUND 1973 BLM BRASS CAP IN MOUND OF STONE
- ( ) 1970 HOFFBUHR SURVEY #4424 FILED IN JACKSON COUNTY SURVEYORS OFFICE
- [ ] 1973 BLM FIELD NOTES T. 33 S. R. 2 E. PAGES 59 & 60 FILED IN JACKSON COUNTY SURVEYORS OFFICE
- LINES BLAZED PAINTED AND TAGGED
- PROJECTED LINES

REGISTERED  
PROFESSIONAL  
LAND SURVEYOR

*Ken W. Hoffine*

OREGON  
JULY 18, 1987  
KEN W. HOFFINE  
2291  
EXPIRES 6-30-05

FILE NAME M 33-2E-17		
SCALE 200 FT/IN	DATE 6-20-2003	DRAWN BY G. ANGIOLET
JOB JOB	REVISION 1/1	SHEET 1/1

This map drawn with TRAVERSE P.C. Software