

SURVEY FOR:
LORRAINE Mc DONALD
665 SOUTH OREGON STREET
JACKSONVILLE, OR 97530

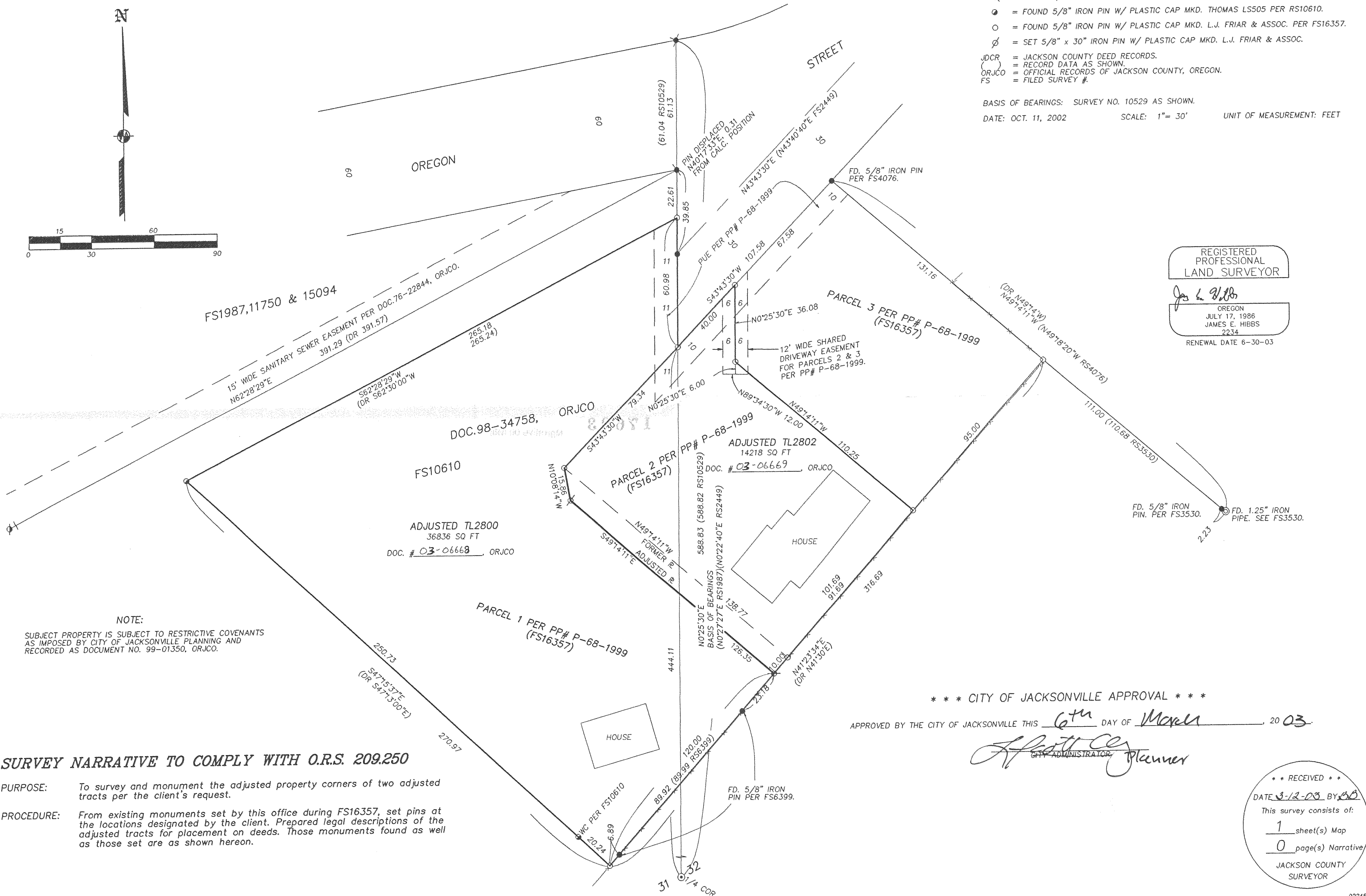
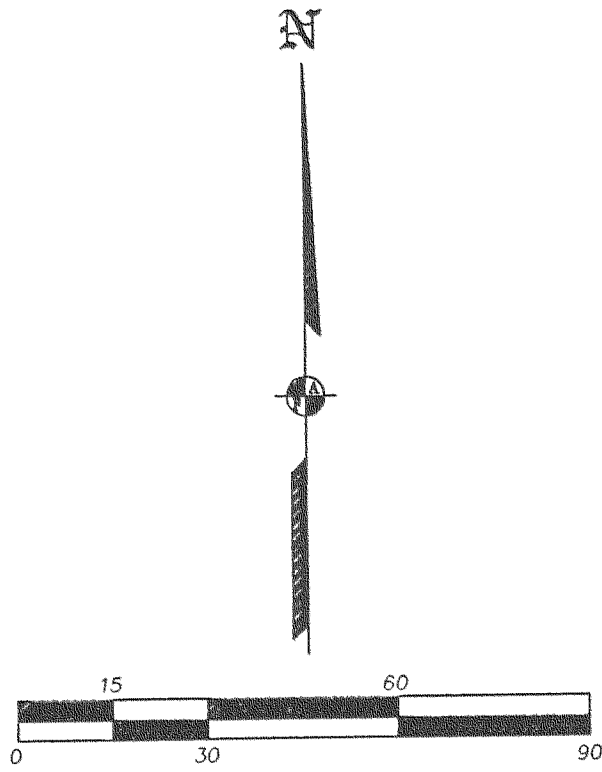
SURVEY BY:
L.J. FRIAR & ASSOCIATES, P.C.
CONSULTING LAND SURVEYORS
816 WEST EIGHTH STREET
MEDFORD, OR 97501
PHONE: (541) 772-2782

MAP OF SURVEY
PROPERTY LINE ADJUSTMENT
Located in the N.E. 1/4 of Section 31,
T.37S., R.2W., W.M. City of Jacksonville
Jackson County, Oregon.

LEGEND:

- ⊙ = FOUND COUNTY SURVEYOR BRASS CAPPED MONUMENT & ACCESSORIES.
- = FOUND 5/8" IRON PIN PER RS2449 OR AS NOTED.
- ⊕ = FOUND 5/8" IRON PIN W/ PLASTIC CAP MKD. TEMPLIN PLS2359 PER RS11750.
- ✱ = FOUND 5/8" IRON PIN. SEE RS10529.
- ⊙ = FOUND 1/2" IRON PIN PER RS1987.
- ⊙ = FOUND 5/8" IRON PIN W/ PLASTIC CAP MKD. THOMAS LSS05 PER RS10610.
- ⊙ = FOUND 5/8" IRON PIN W/ PLASTIC CAP MKD. L.J. FRIAR & ASSOC. PER FS16357.
- ⊕ = SET 5/8" x 30" IRON PIN W/ PLASTIC CAP MKD. L.J. FRIAR & ASSOC.
- JDCR = JACKSON COUNTY DEED RECORDS.
- () = RECORD DATA AS SHOWN.
- ORJCO = OFFICIAL RECORDS OF JACKSON COUNTY, OREGON.
- FS = FILED SURVEY #.

BASIS OF BEARINGS: SURVEY NO. 10529 AS SHOWN.
DATE: OCT. 11, 2002 SCALE: 1" = 30' UNIT OF MEASUREMENT: FEET



REGISTERED
PROFESSIONAL
LAND SURVEYOR
J. L. Friar
OREGON
JULY 17, 1986
JAMES E. HIBBS
2234
RENEWAL DATE 6-30-03

NOTE:
SUBJECT PROPERTY IS SUBJECT TO RESTRICTIVE COVENANTS
AS IMPOSED BY CITY OF JACKSONVILLE PLANNING AND
RECORDED AS DOCUMENT NO. 99-01350, ORJCO.

SURVEY NARRATIVE TO COMPLY WITH O.R.S. 209.250

PURPOSE: To survey and monument the adjusted property corners of two adjusted tracts per the client's request.
PROCEDURE: From existing monuments set by this office during FS16357, set pins at the locations designated by the client. Prepared legal descriptions of the adjusted tracts for placement on deeds. Those monuments found as well as those set are as shown hereon.

*** CITY OF JACKSONVILLE APPROVAL ***
APPROVED BY THE CITY OF JACKSONVILLE THIS 6th DAY OF March, 2003
Stephany Plummer
CITY ADMINISTRATOR

RECEIVED
DATE 3-12-03 BY BO
This survey consists of:
1 sheet(s) Map
0 page(s) Narrative
JACKSON COUNTY
SURVEYOR