

**EAGLE-EYE SURVEYING CORPORATION**

P.O. Box 4397  
 Medford, Oregon 97501-0170  
 Tel. (541) 512-1520

SURVEY NARRATIVE TO COMPLY WITH CHAPTER 209, PARAGRAPH 250,  
 OREGON REVISED STATUTES

SURVEY FOR: Dan Bunn  
 P.O. Box 4754  
 Medford, Oregon 97501

LOCATION: In ROXY ANN HEIGHTS SUBDIVISION & ROXY ANN HEIGHTS  
 SUBDIVISION NO. 2, situated in the East 1 / 2 of  
 Section 9, Section 10 & the Northwest 1 / 4 of  
 Section 11, T. 37 S., R. 1 W., W.M.,  
 Jackson County, Oregon.

PURPOSE: MAP OF SURVEY: To locate and monument the  
 Centerlines and Right of Ways of those 'Dedicated  
 Ways' that were deferred on said Subdivisions as  
 shown on the accompanying map and to prepare a 'Map  
 of Survey' for filing.

PROCEDURE: Utilizing existing control points and the monuments  
 shown, the original field notes (in the possession  
 of this office) and the Official Plats of ROXY ANN  
 HEIGHTS SUBDIVISION (C.S.F.N. 13356), ROXY ANN  
 HEIGHTS SUBDIVISION NO. 2 (C.S.F.N. 13355), as well  
 as C.S.F.N. 13231; a control datum was re-  
 established using GPS with a 'least squares'  
 solution. The centerlines and rights of ways were  
 then monumented according to Official Plats of said  
 Subdivisions as shown. Monuments set on this  
 survey consist of 5/8" x 30" steel pins with red  
 plastic caps mkd. "R. BRAUGHTON - LS 2657" unless  
 noted otherwise.

BASIS OF  
 BEARINGS: Computed inverses of monuments shown per C.S.F.N.  
 13231 & 13356 utilizing the original field notes of  
 said surveys that are in the possession of this  
 office.

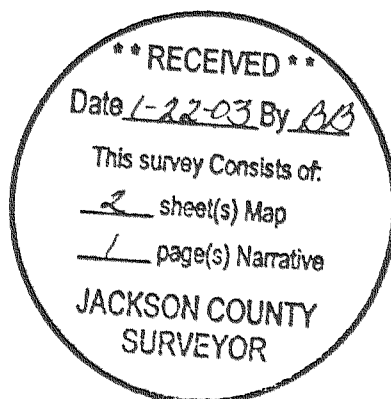
EQUIPMENT: Lieca TCA 1100 Electronic Total Station.

DATE  
 COMPLETED: September 20, 2003

REGISTERED  
 PROFESSIONAL  
 LAND SURVEYOR

*Russell D Braughton*  
 OREGON  
 JULY 19, 1994  
 RUSSELL D BRAUGHTON  
 2657

Expires 12/31/03



T37-1W-11 Tax Lot 200  
 T38-1W-28 Tax Lots 100, 200, 201, 202, 300, 400, 1700, 1701, 1800, 1900,  
 2000, 2100, 2200, 2300, 2400, 2500, 2600, 2700, 2800, 2900, 3000 & 3100

# MAP OF SURVEY

LOCATED in ROXY ANN HEIGHTS SUBDIVISION & ROXY ANN HEIGHTS SUBDIVISION NO. 2,  
situated in the East 1/2 of Section 9, Section 10 & the Northwest 1/4 of Section 11,  
T. 37 S., R. 1 W., W.M., Jackson County, Oregon.

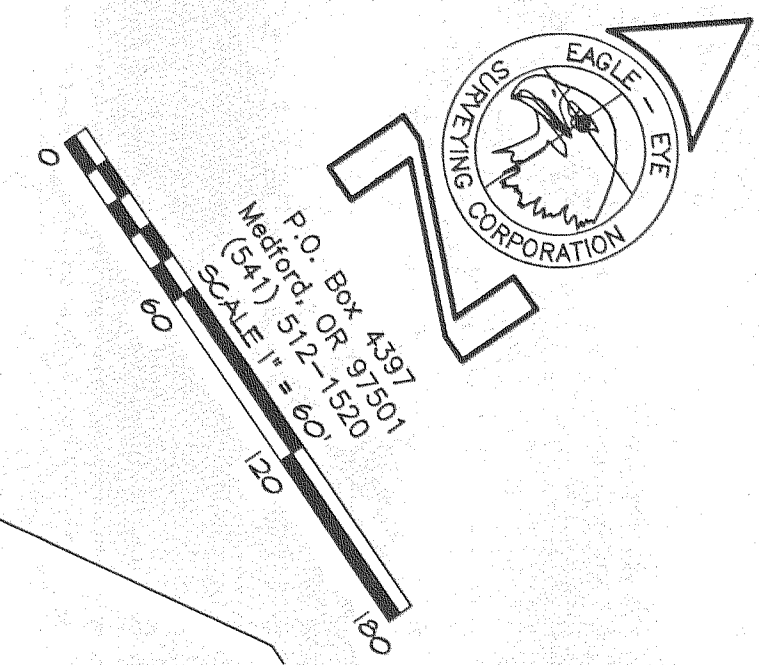
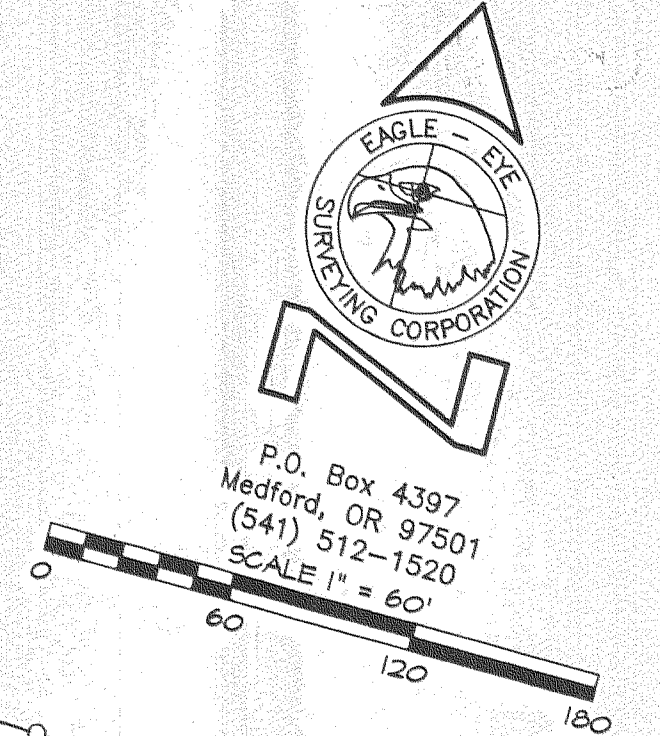
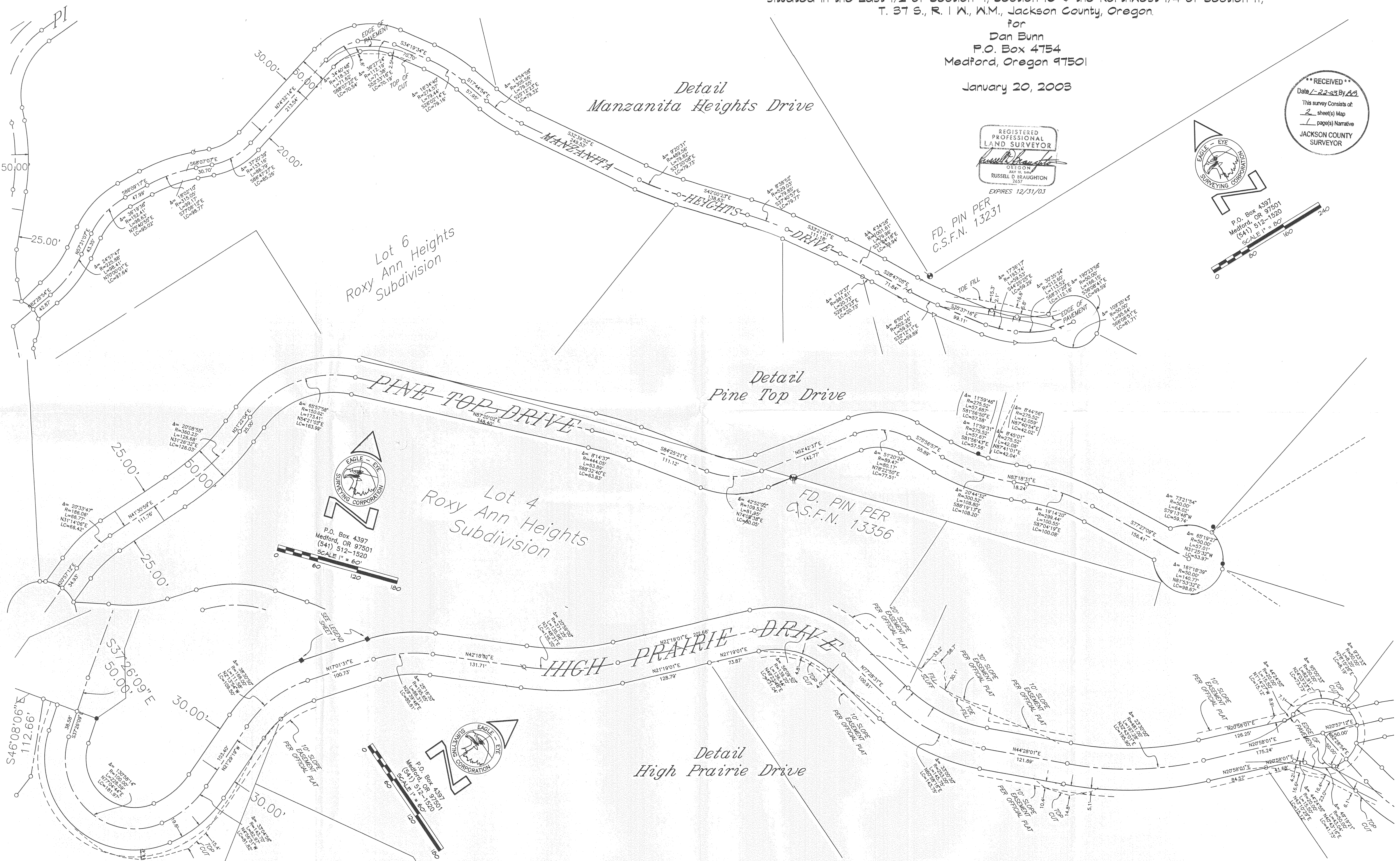
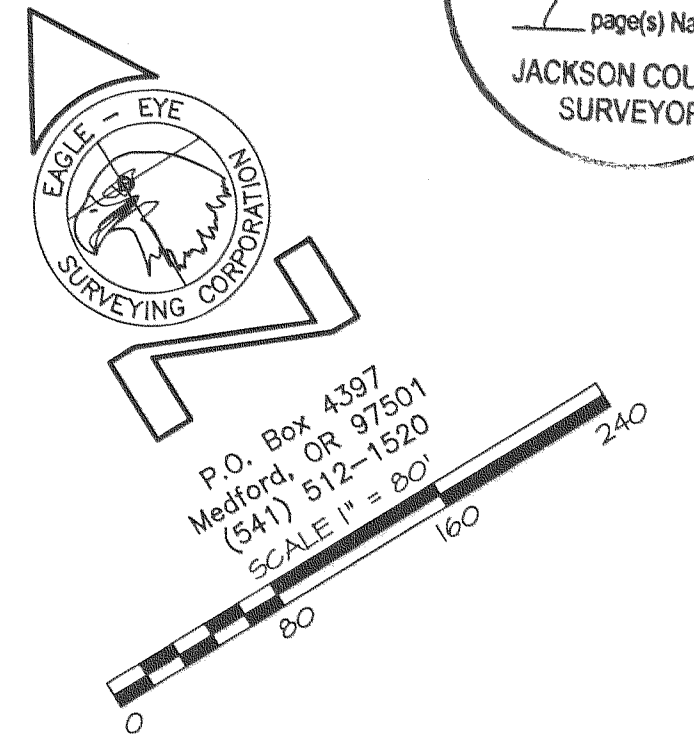
for  
Dan Bunn  
P.O. Box 4754  
Medford, Oregon 97501

January 20, 2003



FD. PIN PER  
C.S.F.N. 13231

RECEIVED  
Date 2-23-03 By AB  
This survey consists of:  
2 sheet(s) Map  
1 page(s) Narrative  
JACKSON COUNTY  
SURVEYOR



# MAP OF SURVEY

LOCATED in ROXY ANN HEIGHTS SUBDIVISION & ROXY ANN HEIGHTS SUBDIVISION NO. 2, situated in the East 1/2 of Section 9, Section 10 & the Northwest 1/4 of Section 11, T. 37 S., R. 1 W., W.M., Jackson County, Oregon

for  
Dan Bunn  
P.O. Box 4754  
Medford, Oregon 97501

January 20, 2003

**\*\*RECEIVED\*\***  
Date 1-22-03 By CB  
This survey consists of 2 sheet(s) Map  
1 page(s) Narrative  
JACKSON COUNTY  
SURVEYOR

### LEGEND

- ⊕ INDICATES A 5/8" DIAM I. PIN FD. AS NOTED AND USED TO ESTABLISH GPS CONTROL DATUM.
  - INDICATES A 5/8" DIAM I. PIN FD. PER C.S.F.N. 13231, C.S.F.N. 13355, C.S.F.N. 13356, C.S.F.N. 13748 UNLESS OTHERWISE NOTED.
  - INDICATES A 5/8" DIAM I. PIN FD PER C.S.F.N. 16858 AS NOTED.
  - INDICATES A 5/8" X 30" STEEL PIN W/ RED PLASTIC CAP MKD. "R. BRAUGHTON-LS 2651" SET.
  - △ INDICATES A LEAD PLUG WITH BRASS WASHER STAMPED "LS 2651" SET.
- C.S.F.N. = COUNTY SURVEYOR FILING NUMBER  
BASIS OF BEARINGS: COMPUTED INVERSES OF MONUMENTS SHOWN PER C.S.F.N. 13231 & 13356 UTILIZING THE ORIGINAL FIELD NOTES OF SAID SURVEYS THAT ARE IN POSSESSION OF THIS OFFICE.
- NOTE: FOR MISSING COURSES, SEE ORIGINAL PLAT OF ROXY ANN HEIGHTS SUBDIVISION & ROXY ANN HEIGHTS SUBDIVISION NO. 2 (C.S.F.N. 13355 & C.S.F.N. 13356).



P.O. Box 4397  
Medford, OR 97501  
(541) 512-1520

SCALE: 1" = 150'

