

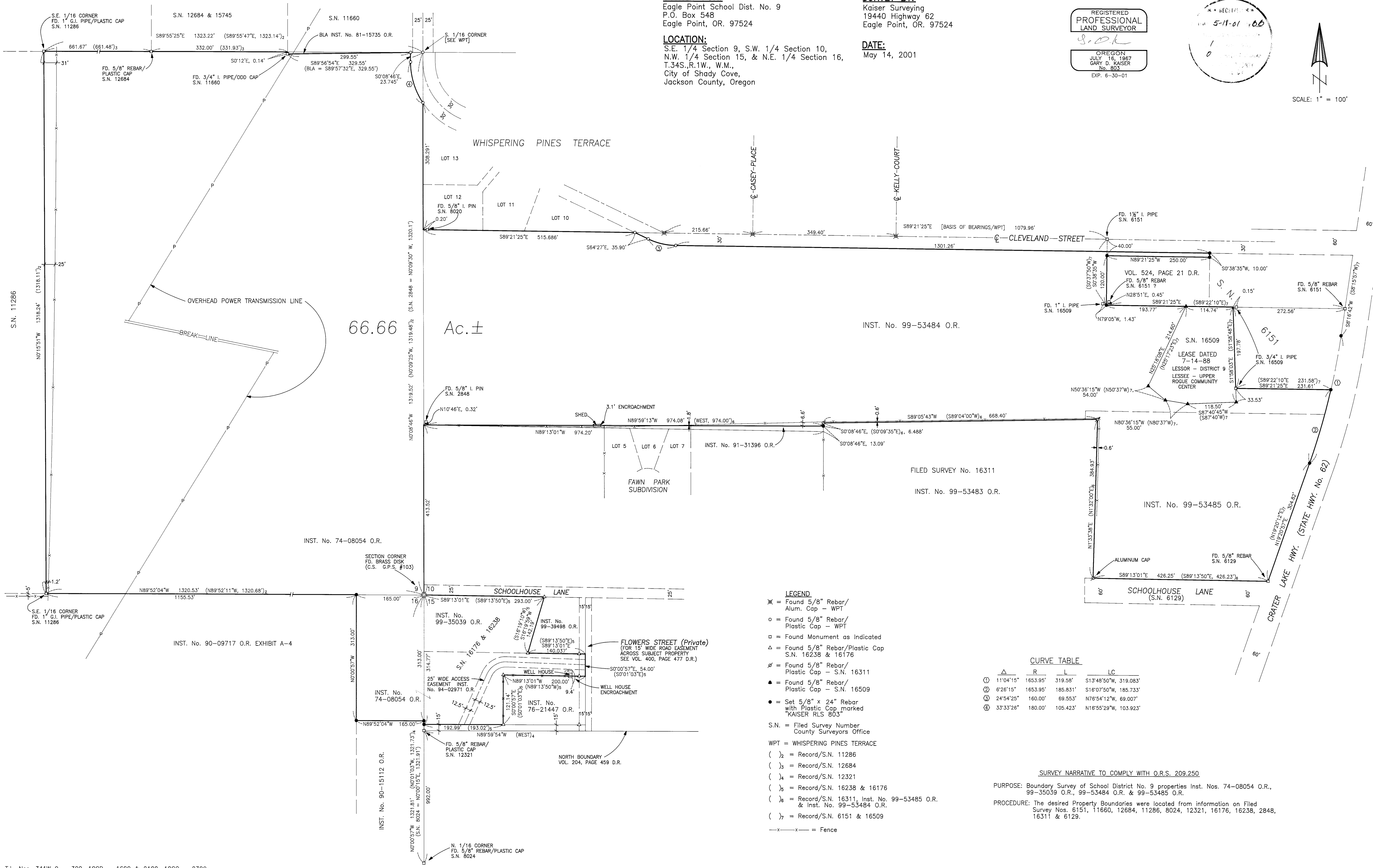
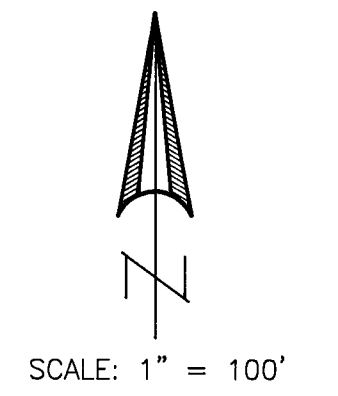
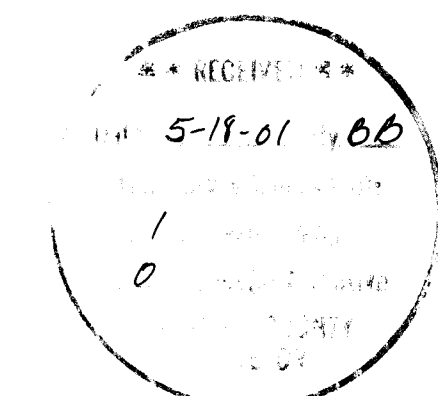
SURVEY FOR:
Eagle Point School Dist. No. 9
P.O. Box 548
Eagle Point, OR. 97524

LOCATION:
S.E. 1/4 Section 9, S.W. 1/4 Section 10,
N.W. 1/4 Section 15, & N.E. 1/4 Section 16,
T.34S.R.1W., W.M.,
City of Shady Cove,
Jackson County, Oregon

SURVEY BY:
Kaiser Surveying
19440 Highway 62
Eagle Point, OR. 97524

DATE:
May 14, 2001

REGISTERED
PROFESSIONAL
LAND SURVEYOR
G.D.K.
OREGON
JULY 16, 1987
GARY D. KAISER
No. 803
EXP. 6-30-01



66.66 Ac. ±

INST. No. 99-53484 O.R.

FILED SURVEY No. 16311

INST. No. 99-53483 O.R.

INST. No. 99-53485 O.R.

INST. No. 74-08054 O.R.

INST. No. 90-09717 O.R. EXHIBIT A-4

SECTION CORNER
FD. BRASS DISK
(C.S. G.P.S. #103)

SCHOOLHOUSE LANE

FLOWERS STREET (Private)
(FOR 15' WIDE ROAD EASEMENT
ACROSS SUBJECT PROPERTY
SEE VOL. 400, PAGE 477 D.R.)

WELL HOUSE ENCROACHMENT

NORTH BOUNDARY
VOL. 204, PAGE 459 D.R.

- LEGEND**
- ✕ = Found 5/8" Rebar/
Alum. Cap - WPT
 - = Found 5/8" Rebar/
Plastic Cap - WPT
 - = Found Monument as Indicated
 - △ = Found 5/8" Rebar/Plastic Cap
S.N. 16238 & 16176
 - ∅ = Found 5/8" Rebar/
Plastic Cap - S.N. 16311
 - ▲ = Found 5/8" Rebar/
Plastic Cap - S.N. 16509
 - = Set 5/8" x 24" Rebar
with Plastic Cap marked
"KAISER RLS 803"
- S.N. = Filed Survey Number
County Surveyors Office
- WPT = WHISPERING PINES TERRACE
- ()₂ = Record/S.N. 11286
()₃ = Record/S.N. 12684
()₄ = Record/S.N. 12321
()₅ = Record/S.N. 16238 & 16176
()₆ = Record/S.N. 16311, Inst. No. 99-53484 O.R.
& Inst. No. 99-53483 O.R.
()₇ = Record/S.N. 6151 & 16509
- x—x— = Fence

CURVE TABLE

Δ	R	L	LC
① 11°04'15"	1653.95'	319.58'	S13°48'50"W, 319.083'
② 6°26'15"	1653.95'	185.831'	S16°07'50"W, 185.733'
③ 24°54'25"	160.00'	69.553'	N76°54'12"W, 69.007'
④ 33°33'26"	180.00'	105.423'	N16°55'29"W, 103.923'

SURVEY NARRATIVE TO COMPLY WITH O.R.S. 209.250

PURPOSE: Boundary Survey of School District No. 9 properties Inst. Nos. 74-08054 O.R., 99-35039 O.R., 99-53484 O.R. & 99-53485 O.R.

PROCEDURE: The desired Property Boundaries were located from information on Filed Survey Nos. 5151, 11660, 12684, 11286, 8024, 12321, 16176, 16238, 2848, 16311 & 6129.