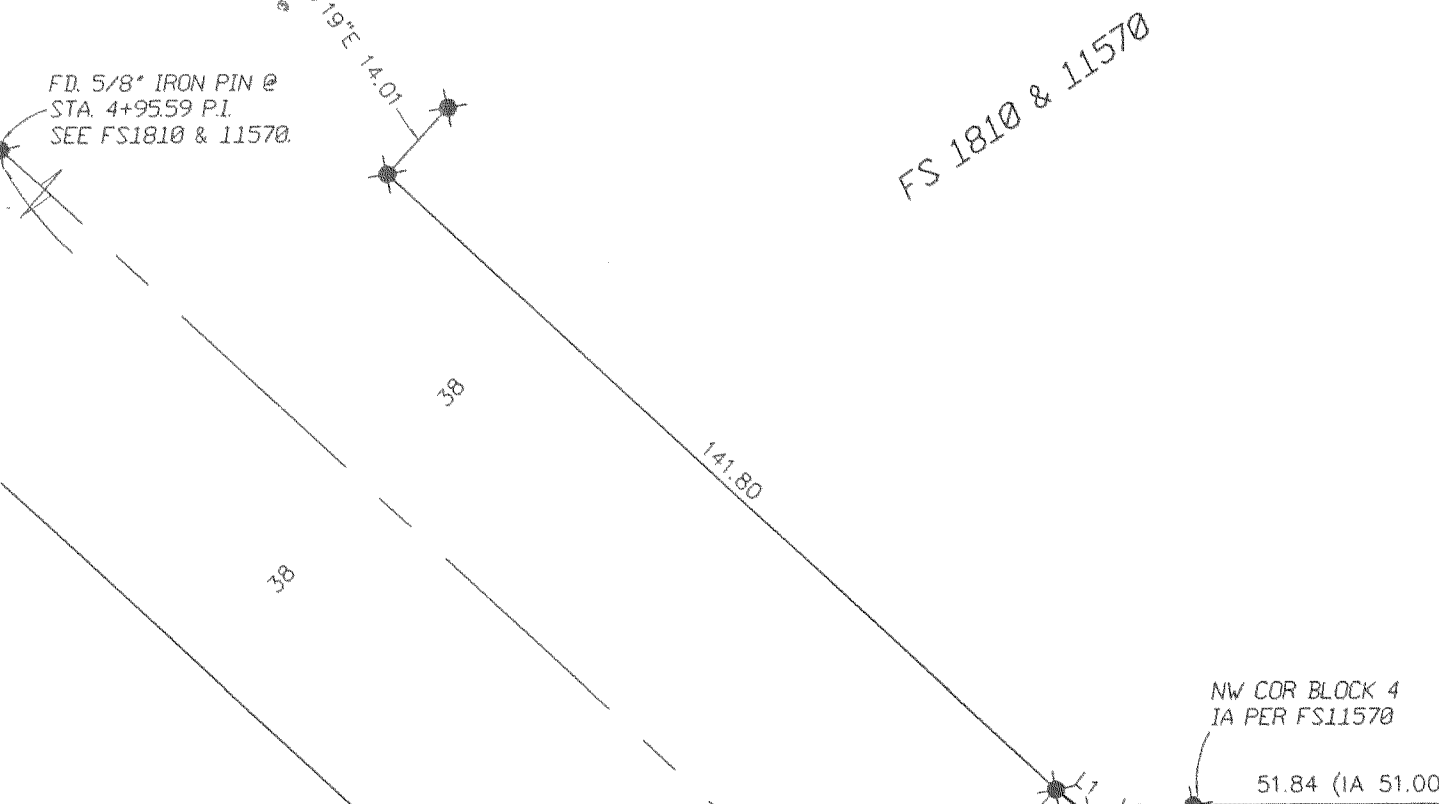
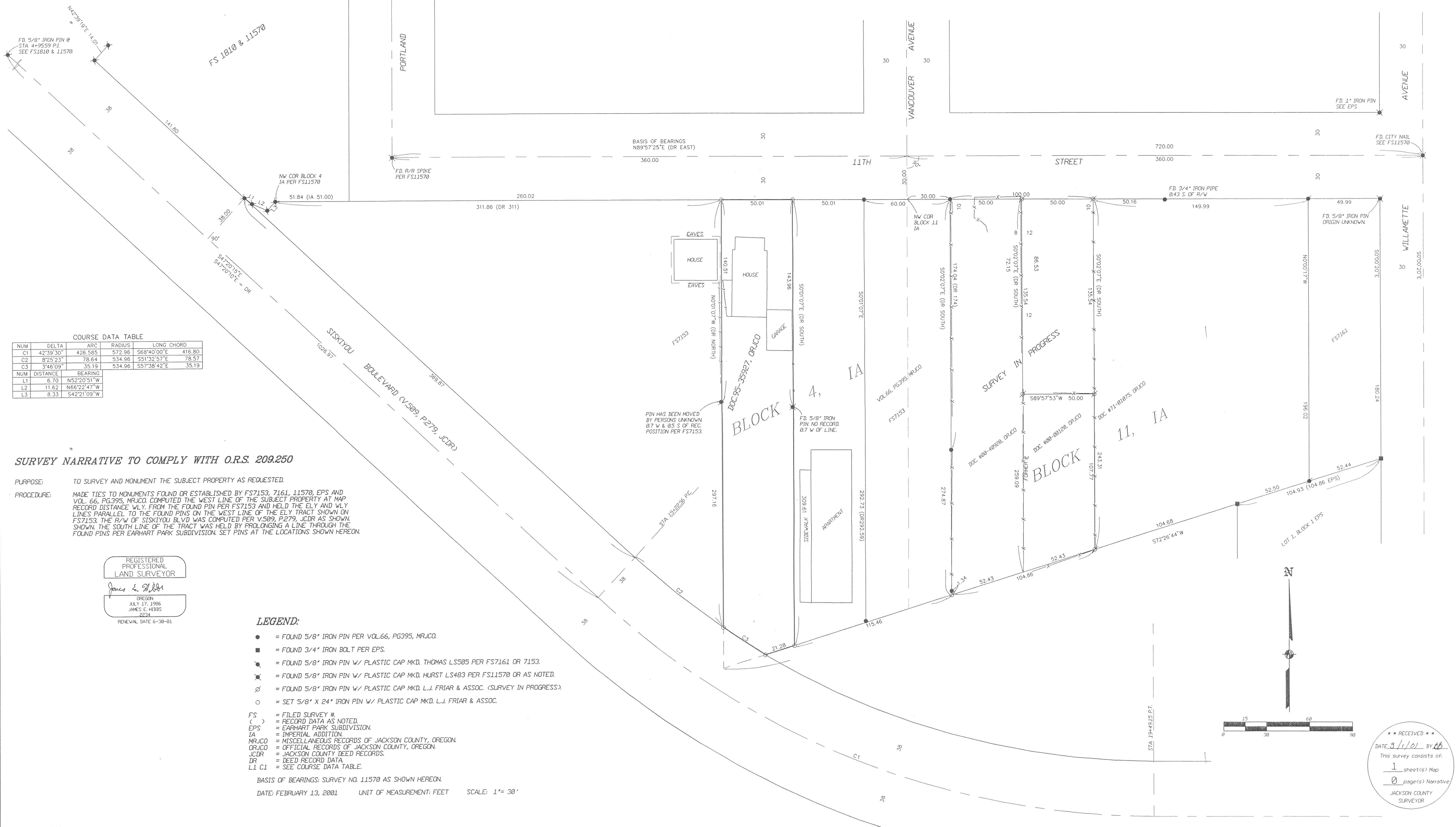


MAP OF SURVEY

A portion of Block 4 of IMPERIAL ADDITION
& located in the S.E. 1/4 of Sec. 30, T.37S, R.1W, W.M.
City of Medford Jackson County, Oregon

SURVEY FOR:
JULIA HACKETT
1020 EAST 11TH STREET
MEDFORD, OREGON 97504

SURVEY BY:
L.J. FRIAR & ASSOCIATES, P.C.
CONSULTING LAND SURVEYORS
816 WEST EIGHTH STREET
MEDFORD, OREGON 97501
PHONE: (541) 772-2782



COURSE DATA TABLE

NUM	DELTA	ARC	RADIUS	LONG CHORD
C1	42°39'30"	426.585	572.96	S68°40'00"E 416.80
C2	8°25'23"	78.64	534.96	S51°32'57"E 78.57
C3	3°46'09"	35.19	534.96	S57°38'42"E 35.19

NUM	DISTANCE	BEARING
L1	6.70	N52°20'51"W
L2	11.62	N66°22'47"W
L3	8.33	S42°21'09"W

SURVEY NARRATIVE TO COMPLY WITH O.R.S. 209.250

PURPOSE: TO SURVEY AND MONUMENT THE SUBJECT PROPERTY AS REQUESTED.

PROCEDURE: MADE TIES TO MONUMENTS FOUND OR ESTABLISHED BY FS7153, 7161, 11570, EPS AND VOL. 66, PG.395, MRJCO. COMPUTED THE WEST LINE OF THE SUBJECT PROPERTY AT MAP RECORD DISTANCE WLY. FROM THE FOUND PIN PER FS7153 AND HELD THE ELY AND WLY LINES PARALLEL TO THE FOUND PINS ON THE WEST LINE OF THE ELY TRACT SHOWN ON FS7153. THE R/W OF SISKIYOU BLVD WAS COMPUTED PER V.509, P.279, JCDR AS SHOWN. THE SOUTH LINE OF THE TRACT WAS HELD BY PROLONGING A LINE THROUGH THE FOUND PINS PER EARHART PARK SUBDIVISION. SET PINS AT THE LOCATIONS SHOWN HEREON.

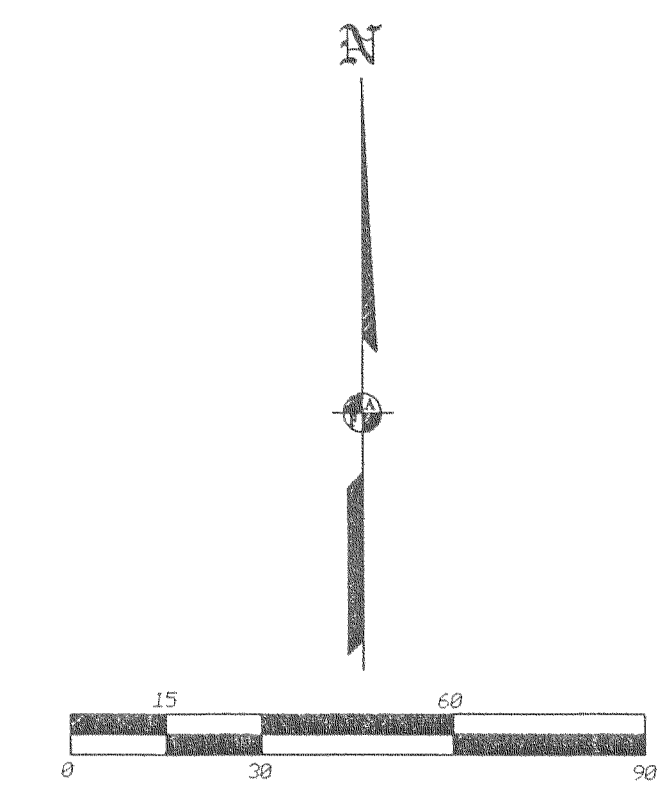
REGISTERED
PROFESSIONAL
LAND SURVEYOR

James E. Friar

OREGON
JULY 17, 1986
JAMES E. FRIAR
2234
RENEWAL DATE 6-30-01

- LEGEND:**
- = FOUND 5/8" IRON PIN PER VOL.66, PG.395, MRJCO.
 - = FOUND 3/4" IRON BOLT PER EPS.
 - = FOUND 5/8" IRON PIN W/ PLASTIC CAP MKD. THOMAS LS505 PER FS7161 OR 7153.
 - = FOUND 5/8" IRON PIN W/ PLASTIC CAP MKD. HURST LS483 PER FS11570 OR AS NOTED.
 - ⊗ = FOUND 5/8" IRON PIN W/ PLASTIC CAP MKD. L.J. FRIAR & ASSOC. (SURVEY IN PROGRESS)
 - = SET 5/8" X 24" IRON PIN W/ PLASTIC CAP MKD. L.J. FRIAR & ASSOC.
 - FS = FILED SURVEY #
 - () = RECORD DATA AS NOTED.
 - EPS = EARHART PARK SUBDIVISION.
 - IA = IMPERIAL ADDITION.
 - MRJCO = MISCELLANEOUS RECORDS OF JACKSON COUNTY, OREGON.
 - ORJCO = OFFICIAL RECORDS OF JACKSON COUNTY, OREGON.
 - JCDR = JACKSON COUNTY DEED RECORDS.
 - DR = DEED RECORD DATA.
 - L1 C1 = SEE COURSE DATA TABLE.

BASIS OF BEARINGS: SURVEY NO. 11570 AS SHOWN HEREON.
DATE: FEBRUARY 13, 2001 UNIT OF MEASUREMENT: FEET SCALE: 1" = 30'



* * * RECEIVED * * *

DATE 3/1/01 BY df

This survey consists of:

1 sheet(s) Map

0 page(s) Narrative

JACKSON COUNTY
SURVEYOR