

MAP OF SURVEY
 Located in the N.E. 1/4 and N.W. 1/4
 of Section 35, T.37S, R.1W., W.M.
 Jackson County, Oregon

SURVEY FOR:
 DOUGLAS HILDRETH
 4870 SANTA BARBARA DRIVE
 MEDFORD, OR 97504

SURVEY BY:
 L.J. FRIAR & ASSOCIATES, P.C.
 CONSULTING LAND SURVEYORS
 815 WEST EIGHTH STREET
 MEDFORD, OREGON 97501
 PHONE: (541) 772-2782

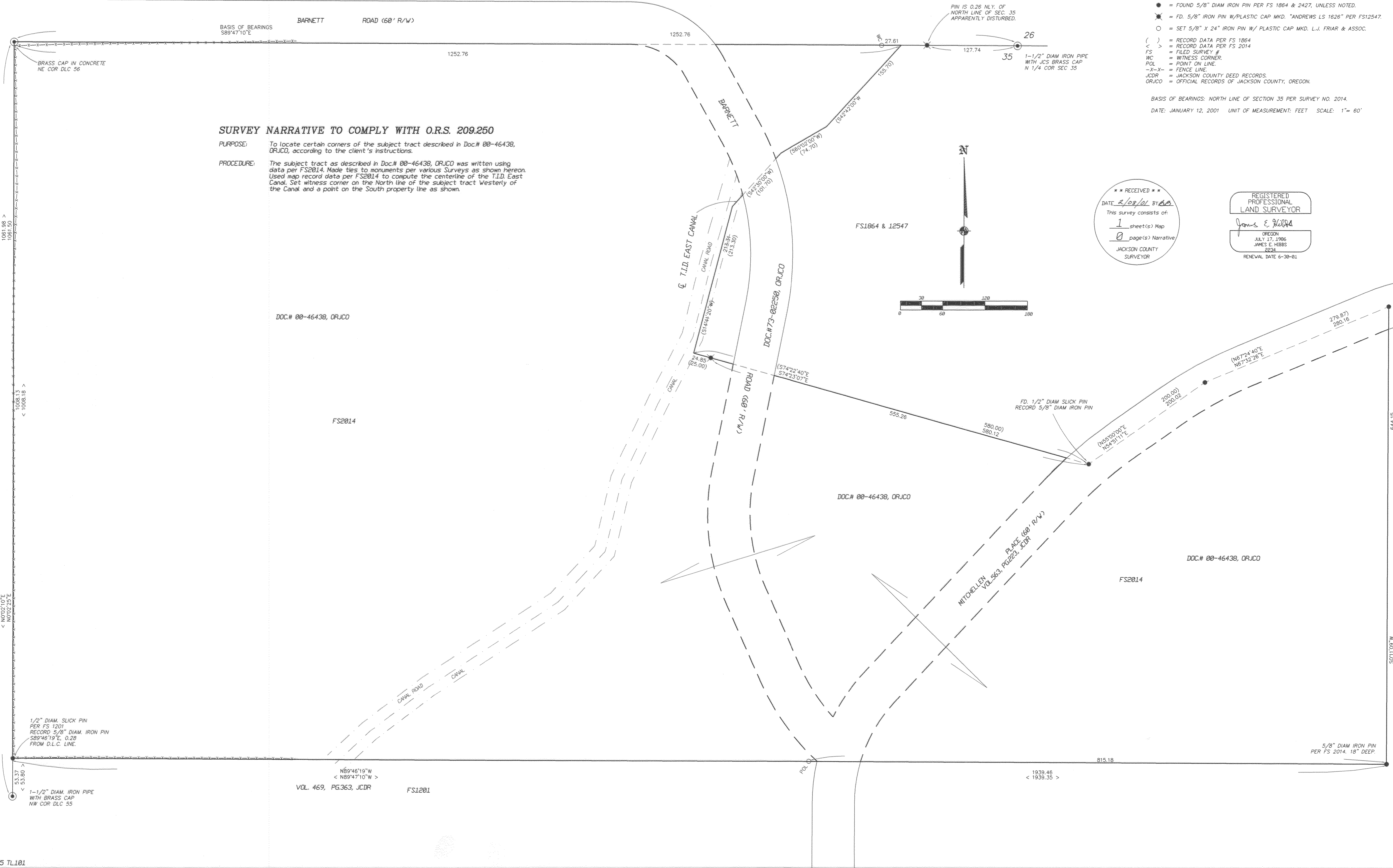
- LEGEND**
- = FD. COUNTY SURVEYORS BRASS CAPPED MONUMENT PER RE-ESTAB'S.
 - = FOUND 5/8" DIAM IRON PIN PER FS 1864 & 2427, UNLESS NOTED.
 - ✖ = FD. 5/8" IRON PIN W/PLASTIC CAP MKD. "ANDREWS LS 1626" PER FS12547.
 - = SET 5/8" X 24" IRON PIN W/ PLASTIC CAP MKD. L.J. FRIAR & ASSOC.
 - () = RECORD DATA PER FS 1864
 - < > = RECORD DATA PER FS 2014
 - FS = FILED SURVEY #
 - WC = WITNESS CORNER.
 - POL = POINT ON LINE.
 - X-X- = FENCE LINE.
 - JCDR = JACKSON COUNTY DEED RECORDS.
 - ORJCO = OFFICIAL RECORDS OF JACKSON COUNTY, OREGON.

BASIS OF BEARINGS: NORTH LINE OF SECTION 35 PER SURVEY NO. 2014.
 DATE: JANUARY 12, 2001 UNIT OF MEASUREMENT: FEET SCALE: 1" = 60'

SURVEY NARRATIVE TO COMPLY WITH O.R.S. 209.250

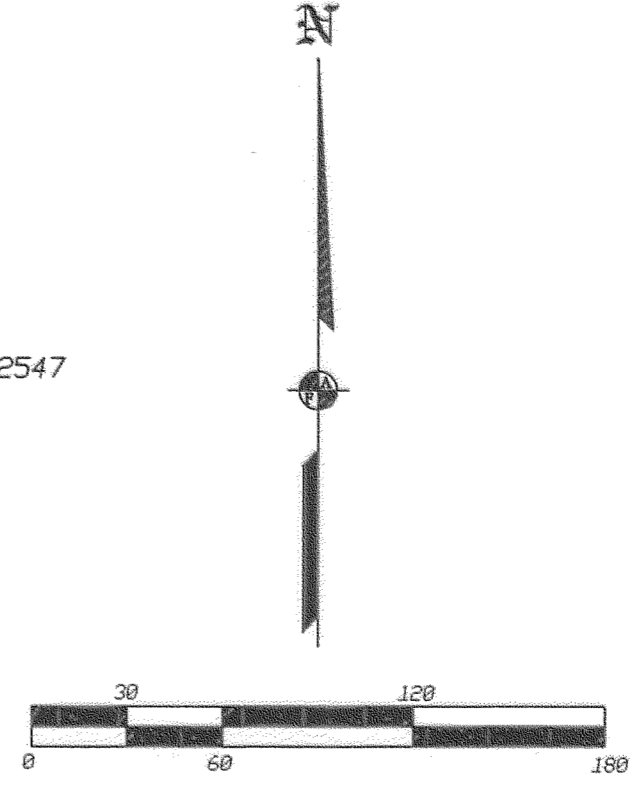
PURPOSE: To locate certain corners of the subject tract described in Doc.# 00-46438, ORJCO, according to the client's instructions.

PROCEDURE: The subject tract as described in Doc.# 00-46438, ORJCO was written using data per FS2014. Made ties to monuments per various Surveys as shown hereon. Used map record data per FS2014 to compute the centerline of the T.I.D. East Canal. Set witness corner on the North line of the subject tract Westerly of the Canal and a point on the South property line as shown.



*** RECEIVED ***
 DATE: 2/08/01 BY: J.E.H.
 This survey consists of:
 1 sheet(s) Map
 0 page(s) Narrative
 JACSON COUNTY SURVEYOR

REGISTERED PROFESSIONAL LAND SURVEYOR
 James E. Hibbs
 OREGON
 JULY 17, 1996
 JAMES E. HIBBS
 2224
 RENEWAL DATE 6-30-01



1061.98 >
 1061.98 <
 1008.18 >
 1008.18 <
 1008.18 >
 1008.18 <
 1008.18 >
 1008.18 <

644.15 >
 644.15 <
 643.72 >
 643.72 <
 643.72 >
 643.72 <

1/2" DIAM. SLICK PIN
 PER FS 1201
 RECORD 5/8" DIAM. IRON PIN
 S89°16'19"E, 0.28
 FROM D.L.C. LINE.

1-1/2" DIAM. IRON PIPE
 WITH BRASS CAP
 NW COR DLC 55

5/8" DIAM IRON PIN
 PER FS 2014, 18" DEEP.