

MAP OF SURVEY

Located in the N.E. 1/4 of Section 21,
T.35S., R.1W., W.M.
Jackson County, Oregon

for
Rick Matthews
664 Mountain View Drive
Eagle Point, OR 97524

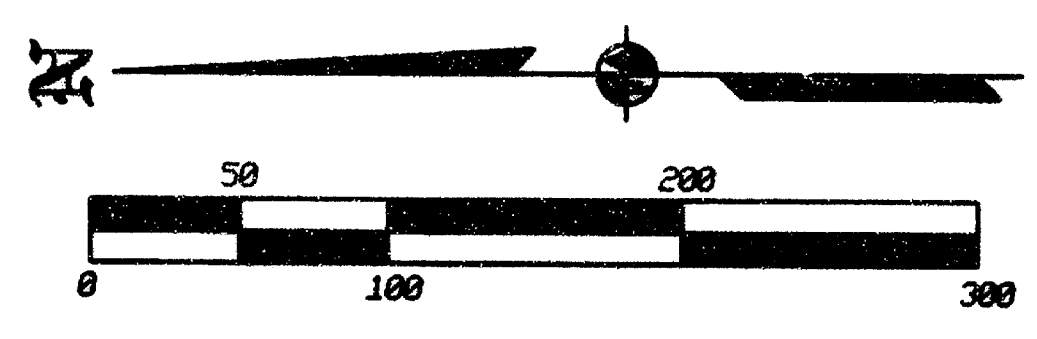
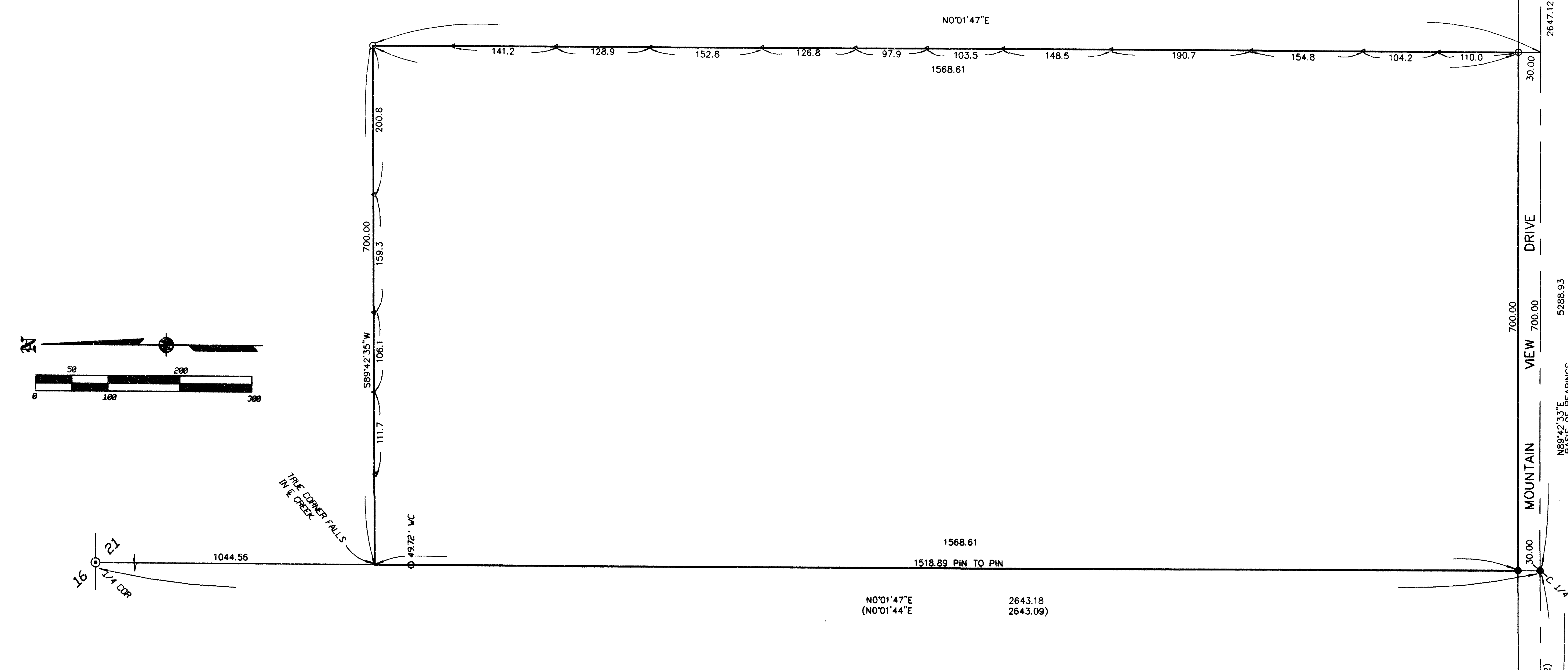
LEGEND:

- ⊙ = F.D. COUNTY SURVEYOR'S BRASS CAPPED MONUMENT OR AS NOTED.
- = F.D. 3/4" IRON PIN PER FS8378.
- = F.D. 5/8" IRON PIN PER FS8378.
- = SET 5/8" X 24" IRON PIN W/ PLASTIC CAP MKD. L.J. FRIAR & ASSOC.
- ◁ = SET 60D SPIKE W/ 4' LATH ON PROPERTY LINE.
- FS = FILED SURVEY #.
- () = RECORD DATA PER FS8378.

SURVEY NARRATIVE TO COMPLY WITH O.R.S. 209.250

PURPOSE: TO SURVEY AND MONUMENT A TRACT OF LAND 700 FEET WIDE AS REQUESTED BY THE CLIENT AND AS DIRECTED BY COURT ORDER.

PROCEDURE: COUNTY RE-ESTABLISHED CORNERS AND MONUMENTS PER FS8378 WERE TIED TO TO CONTROL THIS SURVEY. PER THE CLIENT'S INSTRUCTIONS A LINE WAS ESTABLISHED 700 FEET EASTERLY OF THE N-S CENTERLINE OF SECTION 21. THE NORTHERLY END OF THE SUBJECT TRACT WAS CONSTRAINED BY THE DISTANCE MEASURED ALONG THE N-S CENTERLINE FROM THE C. 1/4 CORNER TO THE CENTER OF THE CREEK. THE SAME DISTANCE WAS USED ALONG THE EAST LINE OF THE SUBJECT TRACT. SET POINT ALONG THE EAST & NORTH LINES OF THE SUBJECT TRACT AS WELL AS THE CORNERS AS SHOWN HEREON.



BASIS OF BEARINGS:
EAST-WEST CENTERLINE OF SECTION 21 PER FS8378.

DATE: APRIL 9, 2000 UNIT OF MEASUREMENT: FEET SCALE: 1" = 100'

SURVEY BY:
L.J. FRIAR & ASSOCIATES, P.C.
CONSULTING LAND SURVEYORS
816 WEST EIGHTH STREET
MEDFORD, OREGON 97501
PH: (541) 772-2782

*** RECEIVED ***
DATE APRIL 20, 2000 BY CJD
This survey consists of:
1 sheet(s) Map
0 page(s) Narrative
JACKSON COUNTY
SURVEYOR

REGISTERED
PROFESSIONAL
LAND SURVEYOR
James E. Hibbs
OREGON
JULY 17, 1986
JAMES E. HIBBS
2834
RENEWAL DATE 6-30-01