

MAP OF SURVEY

LOCATED IN THE SOUTHWEST 1/4 OF SECTION 10, T35S, R2W, W.M.
 JACKSON COUNTY, OREGON MARCH 20, 1999

SURVEY FOR

LLOYD AND JUDITH MCCLURE
 6600 BEAGLE ROAD
 SAMS VALLEY, OR.

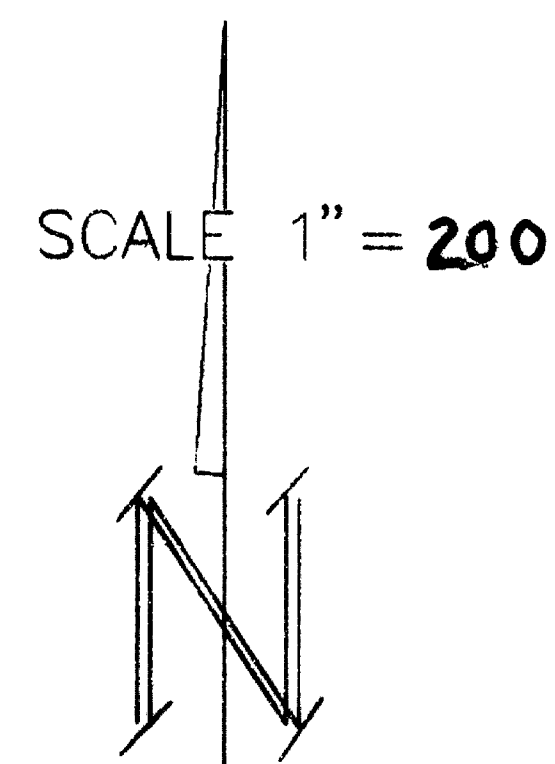
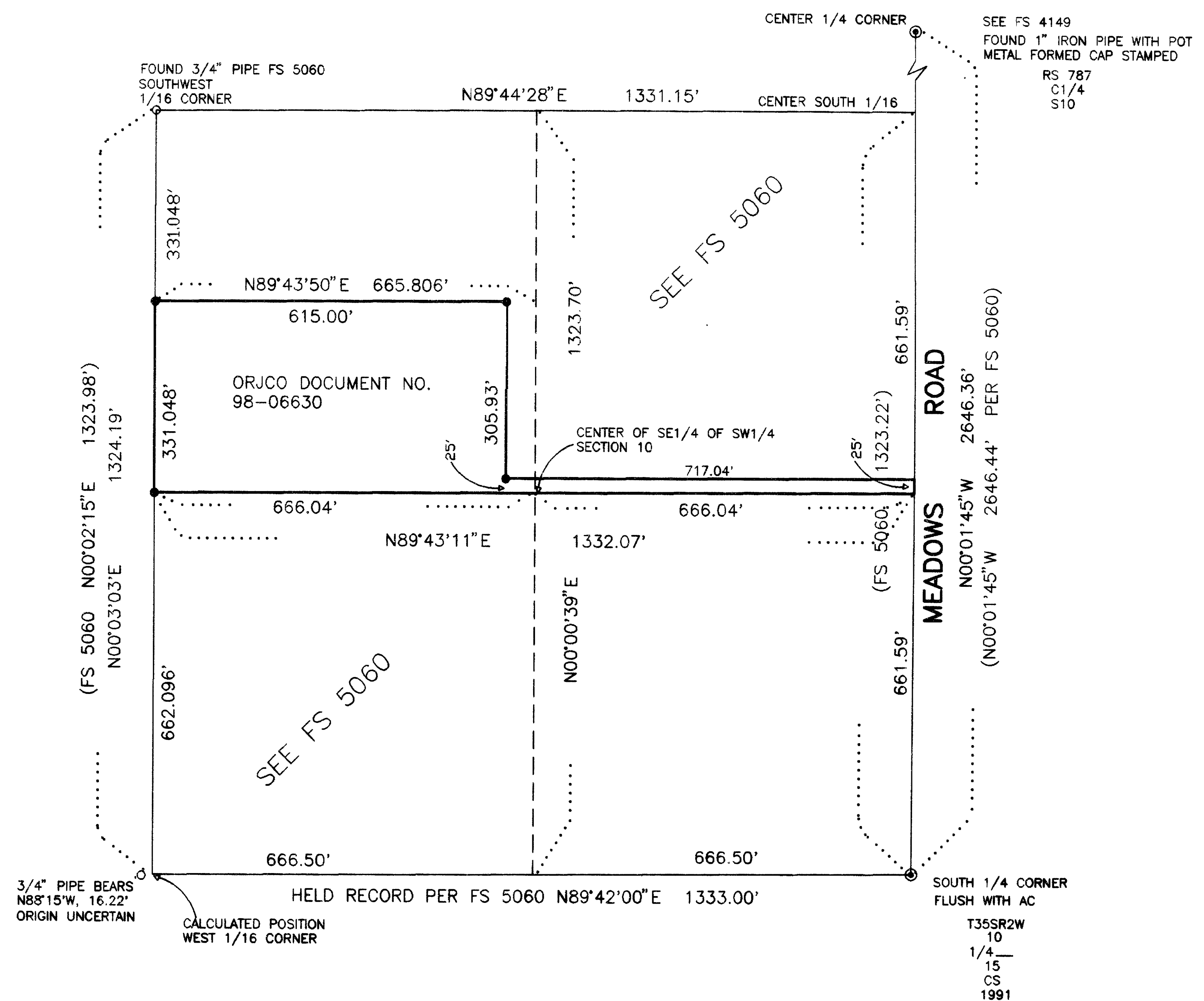
LEGEND

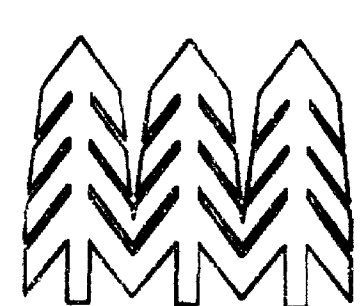
- ⊙ Found brass cap monument or as noted
- Set 5/8" X 24" rebar with yellow plastic cap stamped "BRADSHAW LS 2271"

FS = Filed survey with the Jackson County Surveyor's Office

ORJCO = Official Records of Jackson County, Oregon

Basis of Bearings, Filed Survey 5060
 south 1/4 corner to center 1/4 corner
 shown as N00°01'45"W



SURVEY BY:
 **TIMBERLINE**
 LAND SURVEYING
 KERRY K. BRADSHAW L.S. 2271
 P.O. BOX 3064
 CENTRAL POINT OREGON 97502
 (541)664-7510 CELL 944-6692

**** RECEIVED ****
 Date 5-12-99 By KB
 This survey consists of:
 sheet(s) Map
 page(s) Narrative
 JACKSON COUNTY SURVEYOR

REGISTERED PROFESSIONAL LAND SURVEYOR
Kerry K. Bradshaw
 OREGON
 JULY 16, 1887
 KERRY K. BRADSHAW
 2271
 EXP. 12-31-99

NARRATIVE

Section 10 had been subdivided by Filed Survey No. 5060. Monumentation found or set by said survey was incorporated in a control traverse using a Wild T-1000 Total Station. Corner positions for the subject tract, as described in Instrument No. 98-06630 were calculated and monumented as shown.