

LEGEND

- PROPERTY CORNER SET THIS SURVEY (SEE NARRATIVE)
- MONUMENT FOUND (SEE NARRATIVE)
- UTILITY POLE
- ⊗ WATER VALVE
- ⊕ FLAGPOLE
- ⊞ POWER METER
- ⊙ ELK LUMBER CO. MONUMENT
- PROJECTED 5/8 INCH IRON PIN AS PER R.S. 5967 (NOT FOUND)
- CULVERT
- FENCELINE
- EDGE OF EXISTING ROAD
- DITCH
- CENTERLINE AS PER R.S. 5967
- AVERAGE CENTERLINE OF EXISTING ROADS
- LINE MARKED & POSTED THIS SURVEY
- ▭ BUILDINGS
- R.S. JACKSON COUNTY RECORD SURVEY NO.
- N.F.S.L. NATIONAL FOREST SYSTEM LANDS
- CENTERLINE COUNTY ROAD AS PER COMMISSIONERS JOURNAL DATED MAY 5, 1916. (ROAD FILE #196)
- (H) BEGIN/END ROAD SEGMENT
- (1) WATER VALVE/POWER POLE NUMBER

CERTIFICATE OF SURVEY

I, STEPHAN L. BAROTT, REGISTRATION NO. 2332, REGISTERED PROFESSIONAL LAND SURVEYOR, STATE OF OREGON, HEREBY CERTIFY THAT THIS PLAT CORRECTLY REPRESENTS A SURVEY MADE BY ME OR UNDER MY DIRECT SUPERVISION IN CONFORMANCE WITH THE LAWS OF THE STATE OF OREGON AT THE REQUEST OF THE UNITED STATES FOREST SERVICE.

REGISTERED
PROFESSIONAL
LAND SURVEYOR
Stephan L. Barott
OREGON
JULY 26, 1988
STEPHAN L. BAROTT
No. 2332
EXPIRES: 12/31/95

PROJECT 93-2

U.S. DEPARTMENT OF AGRICULTURE
FOREST SERVICE
REGION 6 - ROGUE RIVER NATIONAL FOREST

DEPENDENT RESURVEY
AND
SECTION SUBDIVISION
SECTION 17, T.32S., R.2E., W.M.
JACKSON COUNTY, OREGON
MATTHEWS GUARD STATION

REVIEWED BY: *[Signature]* DATE: *1/20/95*
APPROVED BY: *[Signature]* DATE: *4/1/95*

SURVEY NO. 14387

**SURVEY NARRATIVE TO COMPLY WITH
PARAGRAPH 209.250, OREGON REVISED STATUTES**

SURVEY FOR:

U.S. Forest Service
Rogue River National Forest
P.O. Box 520
Medford, Oregon 97501

SURVEYED BY:

Stephan L. Barott
same address as above

LOCATION:

Township 32 South, Range 2 East, Southwest one-quarter (SW 1/4)
Section 17, W.M., Jackson County, Oregon.

PURPOSE:

The purpose of this survey was to mark and post the boundaries between private and National Forest lands within the Southwest one-quarter of Section 17, more particularly known as the NW 1/4 SW 1/4 SW 1/4 of Section 17. This parcel of land is known as the old Matthews Guard Station property.

In addition, a site survey of the Matthews Guard Station property was conducted. Existing buildings, fences, roads, and other found items were located as shown on page two of the Map of Survey.

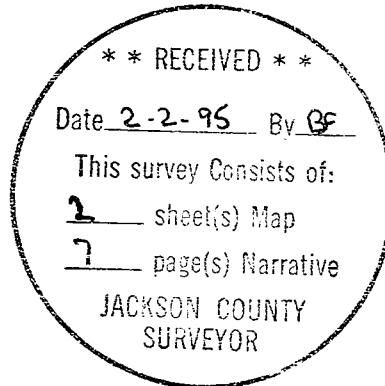
HISTORY OF SURVEYS:

This current survey was based on Jackson County Record Survey No. 11579 by Harold L. Center of this office, dated April 3, 1989.

The original exterior boundaries of Section 17 were surveyed by Turner & Howard under Contract No. 142, dated September 9, 1870.

The East boundary of section 17 was retraced by Peter Applegate under Contract No. 651, dated April 25, 1896. Surveyor Applegate reported that he could find no evidence of the original one-quarter corner for sections 16 and 17 during this retracement.

The West and South boundaries of the Southwest Quarter of Section 17 was surveyed by Mark E. Boyden during Record Survey No. 1369, dated February, 1960. During this resurvey, Boyden found evidence of the West and South one-quarter (1/4) corners for section 17. Boyden monumented the section corner for sections 17, 18, 19, and 20. He also established the West one-sixteenth (W 1/16) corner for Sections 17 and 20.



SURVEY NO. 14387

Section 17 was subdivided by ELK Lumber company in 1966. During this unrecorded survey, ELK Lumber Company set the one-quarter (1/4) corner for sections 16 and 17 by proportionate measurement, having found no evidence of the lost corner point. ELK Lumber set a monument at the center one-quarter (C 1/4) corner position, as well as other interior one-sixteenth (1/16) corner locations for Section 17.

A portion of the Southwest quarter (SW 1/4) for section 17 was surveyed by J.A. Hoffbuhr in 1974. Reference Record Survey No. 5967, dated July 30, 1974. Surveyor Hoffbuhr set wooden hubs at the approximate locations of the U.S. Forest Service property surrounding Matthews Guard Station. Hoffbuhr also set iron pins and located the existing centerline of an access road. A portion of the access road crosses Forest Service property. The road centerline and property pins as diagramed by Hoffbuhr are shown on page two of the Map of Survey. These property pins were not found or tied during this current survey.

The Northeast quarter of Section 17 was subdivided by Harold L. Center for the U.S. Forest Service in 1989. Reference Record Survey No. 11579 dated April 3, 1989.

The south line of the Southwest Quarter (SW 1/4) of Section 17 was surveyed by David A. Edwards in 1993. Reference Record Survey No. 13564 dated July 7, 1993.

PROCEDURE:

Prior to commencement of this survey an investigation of all controlling corner points was made.

Having verified the positions of the controlling corners, I began my traverse at the one-quarter (1/4) corner for Sections 17 and 18, utilizing the existing control survey points established during Record Survey No. 11579. Closed traverses were run south and east, tying the section corner for Sections 17, 18, 19, and 20, and the West one-sixteenth (W 1/16) corner for Sections 17 and 20 to the existing survey control for Section 17. The subdivision of the Southwest quarter (SW 1/4) was then calculated and monuments set as indicated on the attached Map of Survey.

A site survey of the Matthews Guard Station was conducted as documented on page two of the Map of Survey. All roads as shown are the current, average centerline.

A geodetic tie was made from the 1/4 corner for Sections 17 and 18 to Oregon GPS Network (HPGN) station "PROS--GPS01" and Rogue River National Forest GPS Station (1992) "T31SR2E23--GPS05". Both GPS Stations are on file with the Jackson County Surveyor.

SURVEY NO. 14387

REF. POINT
18 | 17
19 | 20
30 FT. S34½°W
T32S R2E
1960

A 1-inch diam. galvanized iron pipe with a 1½-inch diameter expander filled with lead, set 2 inches below ground, bears S. 34°42' W., 25.04 feet distance, marked:

REF. POINT
18 | 17
19 | 20
N34½°E 25 FT.
T32S R2E
1960

The one-quarter (1/4) corner for Sections 17 and 18, Township 32 South, Range 2 East, W.M.

At the corner point, I found a 1-inch diam. galvanized iron pipe with a 1½-inch diameter expander filled with lead, protruding 18 inches above ground, marked:

1949
T32S R2E
18 | 17
1/4 COR

From which,

A 19-inch diameter pine bears S. 70° 09' E., 96.00 feet distance, with fragmentary scribe marks visible. This tree is now dead.

A 12-inch diameter oak bears S. 60° 40' W., 116.80 feet distance, marked with a healed blaze.

A 19-inch diameter oak bears N. 55° 49' E., 268.26 feet distance, with fragmentary scribe marks visible on a partially healed blaze.

I remonument the corner as follows:

SURVEY NO. 14387

A 15-inch diameter oak bears N. 4° 02' E., 33.23 feet distance, marked with a healed blaze.

A 12-inch diameter cedar bears S. 37° 33' E., 19.56 feet distance, marked with a healed blaze.

PROPERTY CORNERS ESTABLISHED THIS SURVEY:

The S-S 1/64 corner for Sections 17 and 18, Township 32 South, Range 2 East, W.M.

At the corner point, I set a 2½-inch diameter (28-inches long) iron post 28 inches in the ground, with a 2½-inch diameter brass cap marked:

S-S
1/64
|
S18 . 117
|
1994
LS 2332

From which,

A P-K nail set in the Northeast corner of a cement porch foundation, bears S.13°57' E., 114.05 feet distance.

The S-S-S 1/256 corner for Sections 17 and 18, Township 32 South, Range 2 East, W.M.

At the corner point, I set a 2½-inch diameter (28-inches long) iron post 26 inches in a rock and concrete mound, with a 2½-inch diameter brass cap marked:

S-S-S
1/256
|
S18 . S17
|
1994
LS 2332

From which,

A P-K nail set in a large rock, bears S.46°22'W., 21.47 feet distance.

SURVEY NO. 14387

The C-W-SW-SW 1/256 corner for Section 17, Township 32 South,
Range 2 East, W.M.

At the corner point, I set a 2½-inch diameter (28-inches long)
iron post 26 inches in the ground, with a 2½-inch diameter brass
cap marked:

S17
C-W-SW-SW
1/256
.
1994
LS 2332

From which,

An 11-inch diameter fir bears S.51°09'W., 8.30 feet
distance, scribed X BT with a brass washer stamped LS 2332
attached.

The SW-SW-SW 1/256 corner for Section 17, Township 32 South,
Range 2 East, W.M.

At the corner point, I set a 2½-inch diameter (28-inches long)
iron post 26 inches in the ground, with a 2½-inch diameter brass
cap marked:

S17
SW-SW-SW
1/256
.
1994
LS 2332

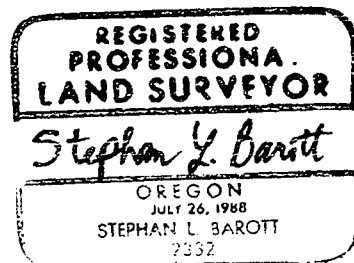
From which,

An 11-inch diameter pine bears N.59°58'W., 51.19 feet
distance, scribed X BT with a brass washer stamped LS 2332
attached.

SURVEY COMPLETED: December 21, 1994

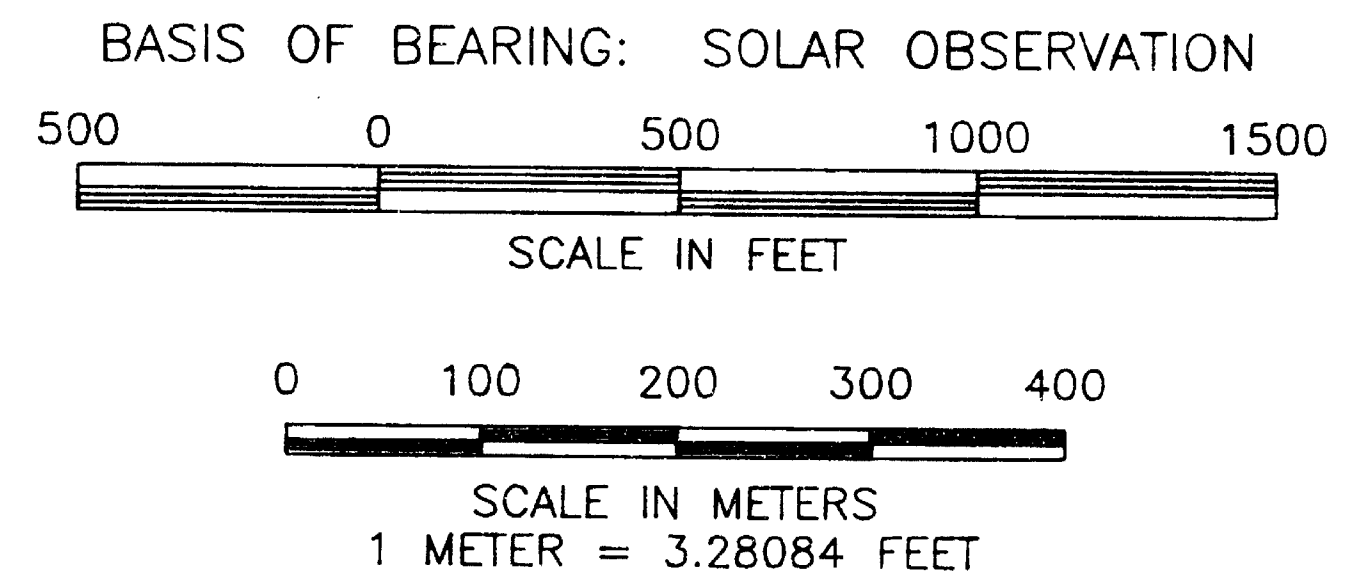
EXPIRES 12/31/95

STEPHAN L. BAROTT
Registered Professional Land Surveyor
Oregon Certificate No. 2332



MAP OF SURVEY
FOR
ROGUE RIVER NATIONAL FOREST

P.O. BOX 520
MEDFORD, OREGON
DECEMBER 21, 1994



CERTIFICATE OF SURVEY

I, STEPHAN L. BAROTT, REGISTRATION NO. 2332, REGISTERED PROFESSIONAL LAND SURVEYOR, STATE OF OREGON, HEREBY CERTIFY THAT THIS PLAT CORRECTLY REPRESENTS A SURVEY MADE BY ME OR UNDER MY DIRECT SUPERVISION IN CONFORMANCE WITH THE LAWS OF THE STATE OF OREGON AT THE REQUEST OF THE UNITED STATES FOREST SERVICE.

REGISTERED
PROFESSIONAL
LAND SURVEYOR

Stephan L. Barott
OREGON
JULY 26, 1988
STEPHAN L. BAROTT
No. 2332

EXPIRES: 12/31/95

PROJECT 93-2

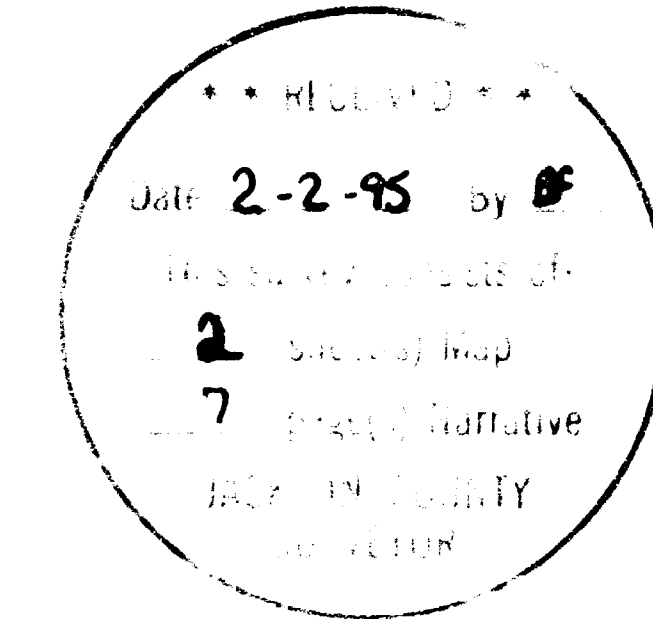
U.S. DEPARTMENT OF AGRICULTURE
FOREST SERVICE
REGION 6 - ROGUE RIVER NATIONAL FOREST

DEPENDENT RESURVEY
AND
SECTION SUBDIVISION
SECTION 17, T.32S., R.2E., W.M.
JACKSON COUNTY, OREGON
MATTHEWS GUARD STATION

REVIEWED BY: *Neil R. ...* DATE: *1/30/95*
APPROVED BY: *Neil R. ...* DATE: *2/1/95*

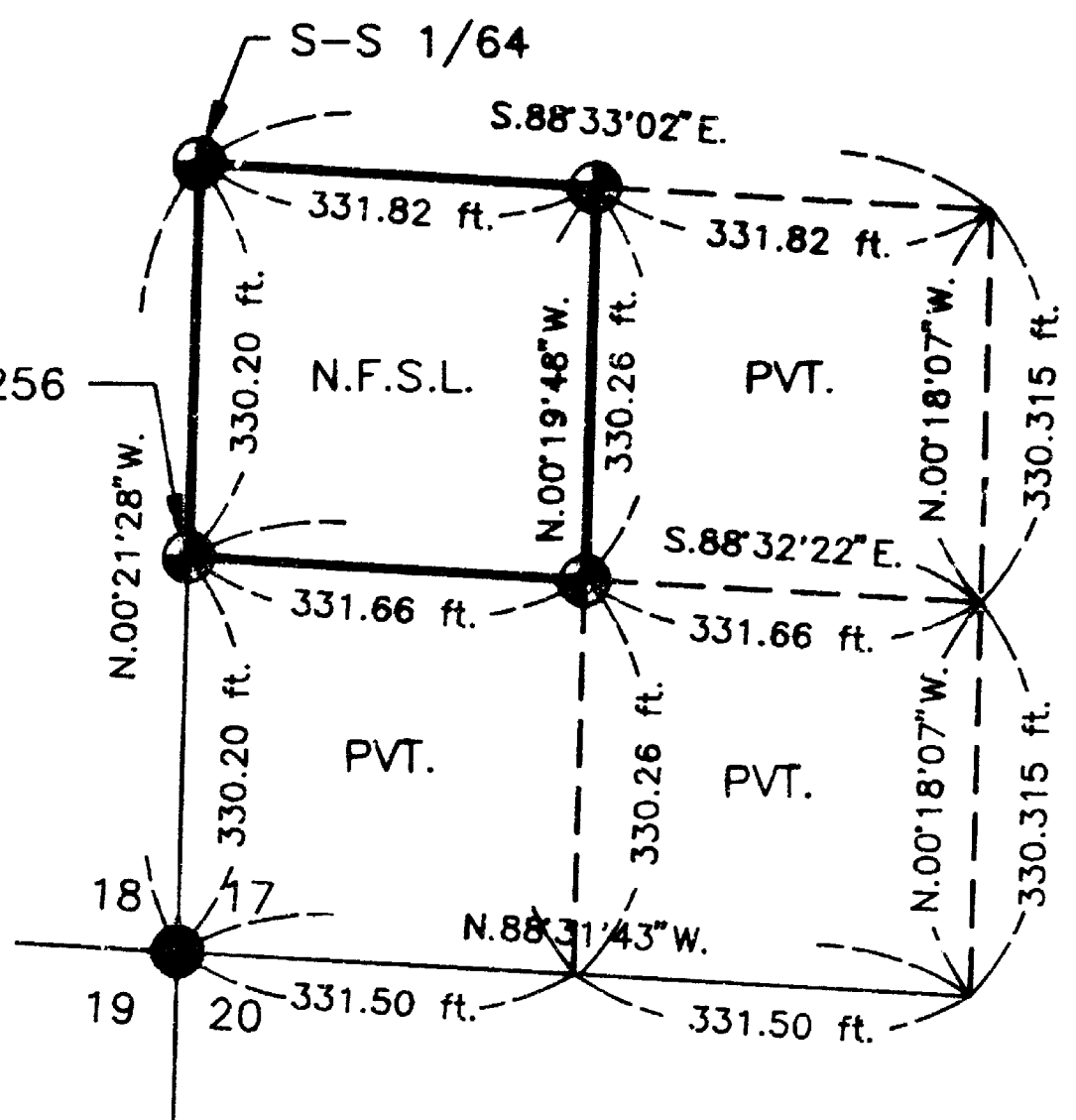
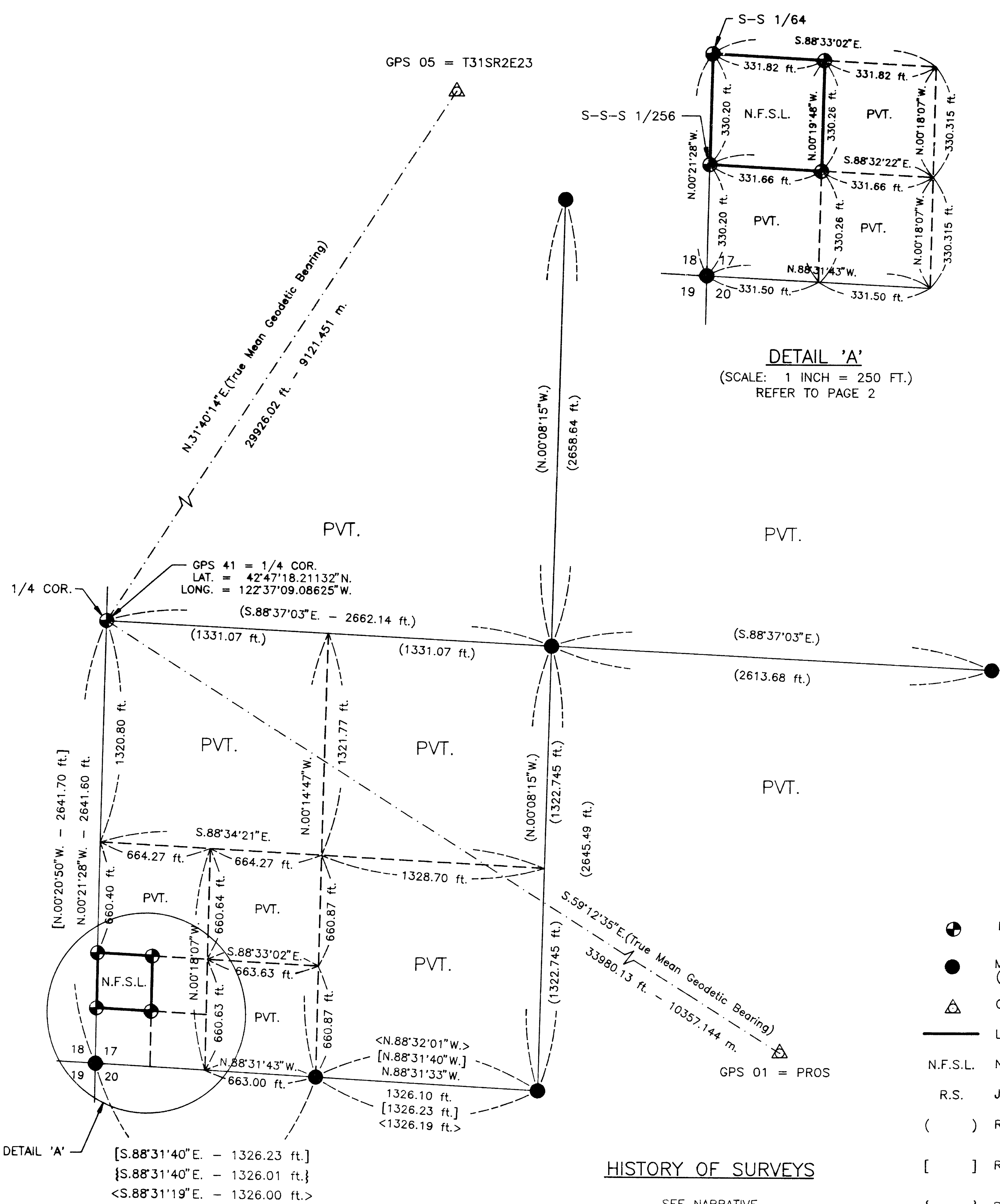
LEGEND

- MONUMENT SET THIS SURVEY (SEE NARRATIVE)
- MONUMENT FOUND (SEE NARRATIVE)
- △ GPS CONTROL TIED BY GPS
- LINES MARKED & POSTED THIS SURVEY
- N.F.S.L. NATIONAL FOREST SYSTEM LANDS
- R.S. JACKSON COUNTY RECORD SURVEY NO.
- () R.S. 11579
- [] R.S. 1369
- { } R.S. 5967
- < > R.S. 13564



HISTORY OF SURVEYS

SEE NARRATIVE



DETAIL 'A'
(SCALE: 1 INCH = 250 FT.)
REFER TO PAGE 2