

- SET 5/8" X 30" IRON ROD WITH PLASTIC YELLOW CAP MKD. HULL RS 901
 - FOUND MONUMENT AS NOTED
- BASIS OF BEARING WEST LINE OF SEC. 32 PER CS 5876
- SURVEY NARRATIVE SEPARATE DOCUMENT



MAP

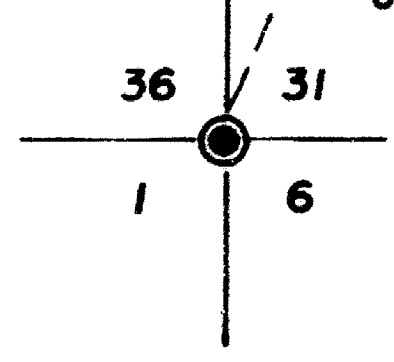
SHOWING A SURVEY IN THE WEST 1/2 OF SECTION 31, T. 37 S., R. 4 W., W. M., JACKSON COUNTY, OREGON

DECEMBER 10, 1985 SCALE: 1" = 200'

SURVEYED FOR: BERT BUTTRESS
95 POINSETTIA GARDENS DR.
VENTURA, CALIF. 93004

SURVEYED BY: MAX H. HULL, SURVEYING
231 NW "B" STREET
GRANTS PASS, OREGON

FD. BRASS CAP & B.T.'s PER JOS. CO. CS 137-68'



** RECEIVED **
Date 1/10/86 By SK
This survey consists of
1 sheet(s) Map
2 page(s) Narrative
JACKSON COUNTY SURVEYOR

Max H. Hull
MAX H. HULL
SURVEYOR

10418

Office 476-2425



MAX H. HULL Land Surveying

231 N. W. 'B' Street Grants Pass, Oregon 97526

Survey Narrative for Buttress
37-4-31
Page 2 of 2

At the Northwest section corner I found a 5/8" iron rod per Survey No. 137-68, from which I found:

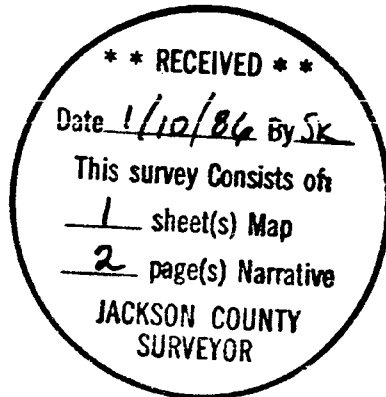
A B. Oak 38" in diameter, South 86-3/4° West, 125.5 feet, blaze healed

A W. Oak 32" in diameter, North 62° West, 112.5 feet, blaze healed

The Southwest section corner is shown as record per Survey No. 10408 and was not visited this survey.

Meridian is based on Survey No. 10408.

Survey map is separate document.



37-4-31 /
T.L. 303



MAX H. HULL Land Surveying

10443

Office 476-2425

231 N. W. 'B' Street Grants Pass, Oregon 97526

SURVEY NARRATIVE to comply with Paragraph 209.250, O.R.S.

DATE: December 11, 1985

FOR: Bert Buttress
95 Poinsettia Gardens Drive
Ventura, CA 93004

PURPOSE: To survey a parcel of land located in the Northwest Quarter of Section 31, Township 37 South, Range 4 West of the Willamette Meridian, Jackson County, Oregon.

PROCEDURE: Using monuments and control established per Surveys No. 10408 and 10425 I surveyed and monumented the parcel as shown on the map, marking true line around the perimeter. The lotting and lotting procedure on the North line of Section 31 was obtained from the Cadastral Department of the Portland Bureau of Land Management office. I find that the Northwest section corner set by Claude Masters in 1968, even though he did not use the proper proportion procedure falls within a very few feet of where the 1918 Surveyor says it was. Also, if the broken boundary method of proportioning was used, it would not change the corner very much. These issues were discussed with both the Portland BLM Cadastral office and the Medford BLM Cadastral office and they both agreed that with the close proximity of Masters' corner to the true location, the fact that it has been there for seventeen years and that numerous surveys have been tied to it, and that it was set in good faith by Masters (when Masters set the corner, he did not have access to the 1918 survey), they would not change the location of the corner and would accept Masters' position.

At the Center 1/4 corner, I found a 5/8" iron rod, from which I found:

- A Fir 7" in diameter, South 84° East, 32.30 feet, scribe visible
- A Fir 8" in diameter, North 50° West, 36.50 feet, scribe visible
- A Madrone 11" in diameter, South 28° West, 23.55 feet, scribe visible
- A Madrone 9" in diameter, North 73° East, 9.93 feet, scribe visible

At the Center North 1/16 corner I found a 5/8" iron rod, from which I found:

- A W. Oak 24" in diameter, North 65° East, 16.22 feet, scribe visible
- A Y. Pine 22" in diameter, North 59° West, 36.70 feet, scribe visible

At the North 1/4 corner I found a 1973 County Surveyor brass cap, from which I found:

- A Madrone 11" in diameter, South 67-3/4° East, 36.7 feet, blaze healed
- A B. Oak 7" in diameter North 22½° West, 31.7 feet, blaze healed
- A Y. Pine 12" in diameter, South 11½° West, 50.1 feet, blaze healed